

4

3

2

1


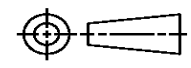
THIS DRAWING IS UNPUBLISHED. RELEASED FOR PUBLICATION  
© COPYRIGHT ALL RIGHTS RESERVED.

LOC		DIST		REVISIONS			
P	LTR	DESCRIPTION		DATE	DWN	APVD	
	D1	ECR-13-016128		16OCT13	RS	LZ	

# REPLACED BY OCEAN STYLE APPLICATOR PART NUMBER 2151970-1

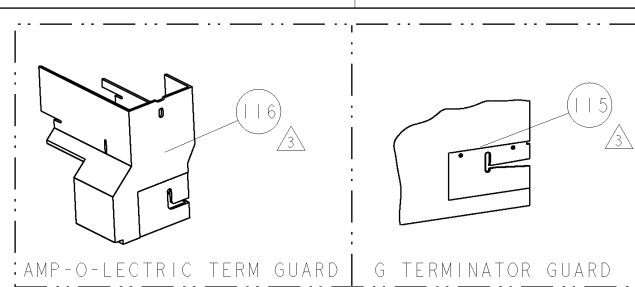
FOR REPLACEMENT PARTS FOR APPLICATOR 1852161 REFER TO ADDITIONAL PAGE(S). SPARE PARTS KIT (IF LISTED) WILL REMAIN AVAILABLE.

THE REPLACEMENT OCEAN STYLE APPLICATOR HAS THE SAME TERMINATOR/PRESS INTERFACE AS APPLICATOR 1852161

THIS DRAWING IS A CONTROLLED DOCUMENT.		DWN R.SHEN	 TE Connectivity	
DIMENSIONS:		CHK LJ.ZHANG		
		TOLERANCES UNLESS OTHERWISE SPECIFIED:		NAME SIDE FEED HDM APPLICATOR
		0 PLC ±	1 PLC ±	PRODUCT SPEC
MATERIAL		2 PLC ±	3 PLC ±	APPLICATION SPEC
FINISH		4 PLC ±	ANGLES ±	SIZE A3
		WEIGHT	CAGE CODE	DRAWING NO C-1852161
		CUSTOMER ACCESSIBLE PRODUCTION DRAWING		RESTRICTED TO
		SCALE	SHEET 1 OF 2	REV D1

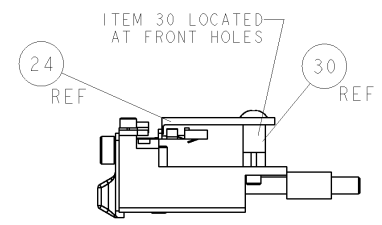
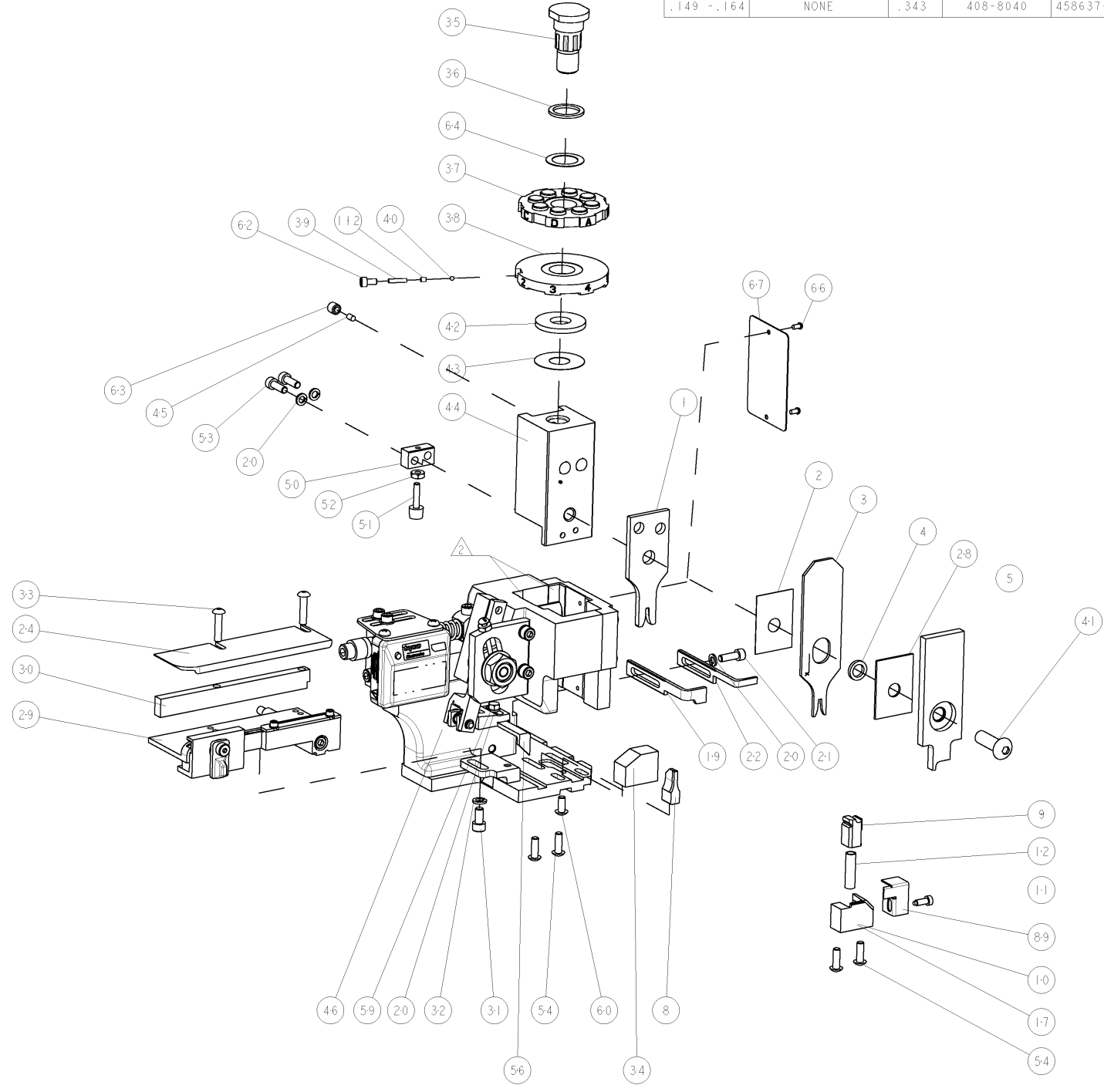
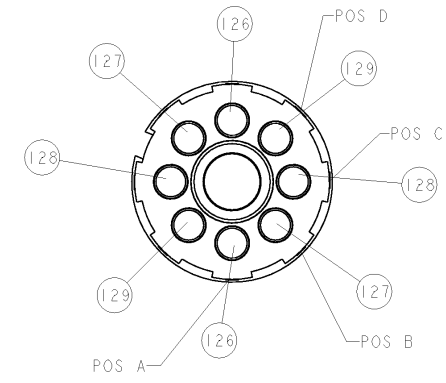
PART NUMBER	REV	FIRST USED	POWER UNIT	FEED TYPE	DESCRIPTION
1852161-1	D	122500-1	LEADMAKER	POST FEED	CUTS CARRIER
1852161-2	D	565435-5	BENCH MODEL K	PRE FEED	CUTS CARRIER
1852161-3	D	354500-1	BENCH MODEL G	PRE FEED	CUTS CARRIER
1852161-6	D	122500-1	LEADMAKER	POST FEED	CONTINUOUS CARRIER
7-1852161-7	C	-	-	-	SPARE PARTS

- △ RECOMMENDED SPARE PARTS
- ▲ GREASE LIGHTLY
- ▲ GUARD MUST BE IN PLACE WHEN OPERATING APPLICATOR IN A BENCH MACHINE

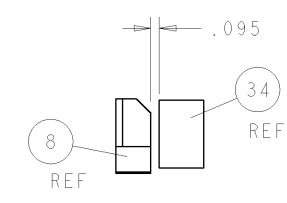


TERMINAL NAME: FEMALE METRI PACK - 150 SERIES			
TE PN	MANUF PN	PACKARD TERM - PACKARD CRIMP SPECS	
286541-1	1210 3881		
-	-	PAD LTR	CRIMP HEIGHT
-	-	A	.053±.002[1.35±0.05mm]
-	-	B	.051±.002[1.30±0.05mm]
-	-	C	.047±.002[1.19±0.05mm]
-	-	D	.041±.002[1.04±0.05mm]
-	-	CRIMP	SIZE
-	-	WIRE	.078 [1.98mm]
-	-	INSUL	.100 [2.54mm]
WIRE STRIP LENGTH	TERM APPL SPEC	FEED	APPL INSTRUCTIONS
.149 - .164	NONE	.343	408-8040
			SET UP GAGE 458637-1

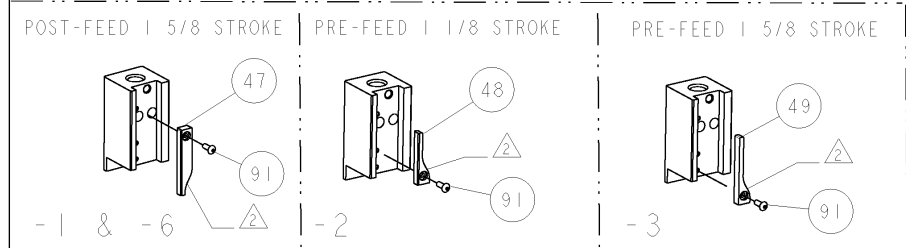
LOC	REV	DESCRIPTION	DATE	BY	APPV
A	66	RELEASED	02DEC2005	MEH	TE
B		ECR-05-018298	16DEC2005	LG	GB
C		ECR-08-019403	01AUG2008	MY	TE
D		ECR-08-023797	19SEP2008	MY	GB



FEED TRACK POSITION



TERMINAL SUPPORT LOCATION



QTY	REV	DESCRIPTION	DATE	BY	APPV		
2	2	2	2	-	5-354779-2	PIN, WIRE DISC, .3250	129
2	2	2	2	-	3-354779-7	PIN, WIRE DISC, .3175	128
2	2	2	2	-	2-354779-6	PIN, WIRE DISC, .3120	127
2	2	2	2	-	2-354779-4	PIN, WIRE DISC, .3110	126
-	-	REF	-	-	455749-1	GUARD WINDOW	116
-	-	REF	-	-	679532-1	INSERT, GUARD	115
-	1	1	1	1	690603-1	SPRING ASSIST AMP-O-MATOR APPLICATOR	112
-	1	1	1	1	1-21002-7	SCR, BTN SKT HD CAP 6-32 X .375	91
-	1	1	1	1	318563-1	GUARD, FRONT CHIP	89
-	1	1	1	1	4088040	SF APPL INST 408-8040	72
-	1	1	1	1	217238-1	GENERAL INSTRUCTION PKG	71
-	1	1	1	1	461264-1	PLATE, IDENTIFICATION	67
2	2	2	2	-	21017-2	SCREW, DRIVE	66
1	1	1	1	1	986950-1	WASHER, FLAT PRECISION	64
1	1	1	1	1	21009-2	SCR, SET, SELF LOCKING 1/4-20 X .250	63
1	1	1	1	1	23030-1	SCR, SKT HD CAP 6-32 X .25	62
1	1	1	1	1	22733-8	SCR, BHSC, SELF-LOCKING, 8-32 X .375	60
1	1	1	1	1	2-22603-0	SCR, HEX HD CAP 8-32 X .312	59
1	1	1	1	1	458537-2	PAWL, FEED	56
4	4	4	4	-	2-21002-2	SCR, BTN SKT HD CAP 8-32 X .500	54
2	2	2	2	-	2-21000-7	SCR, SKT HD CAP 8-32 X .500	53
1	1	1	1	1	21018-5	NUT, HEX, REG 6-32	52
1	1	1	1	1	811242-2	BUMPER, HOLD DOWN	51
1	1	1	1	1	690753-1	SPACER, TONKER	50
-	-	1	-	-	690602-6	CAM, PRE FEED, 1 5/8	49
-	-	-	1	-	690602-5	CAM, PRE FEED, 1 1/8	48
-	-	-	-	1	690501-4	CAM, POST-FEED 1 5/8	47
1	1	1	1	1	459456-1	APPL, BASIC SUB ASSY (SIDE WISE MOCA)	46
1	1	1	1	1	690191-1	PLUG, NYLON	45
1	1	1	1	1	455673-1	RAM, SIDE FEED	44
1	1	1	1	1	690125-1	SHIM SUB-ASSY	43
1	1	1	1	1	690124-1	WASHER, RAM (.115)	42
1	1	1	1	1	7-21002-9	SCR, BTN SKT HD CAP 5/16-24 X 1.00	41
1	1	1	1	1	23241-6	BALL, STEEL	40
1	1	1	1	1	690170-1	SPRING, COMPRESSION	39
1	1	1	1	1	690142-5	DISC, INSULATION	38
1	1	1	1	1	354777-1	WIRE DISC, ASSEMBLY	37
1	1	1	1	1	22480-5	SPRING, COMPRESSION	36
1	1	1	1	1	690212-1	POST, RAM	35
1	1	1	1	1	690786-3	TERMINAL SUPPORT	34
2	2	2	2	-	2-21002-4	SCR, BTN SKT HD CAP 8-32 X .750	33
1	1	1	1	1	21024-5	WASHER, SPRG LOCK, REG NO 10	32
1	1	1	1	1	3-21000-4	SCR, SKT HD CAP 10-32 X .375	31
1	1	1	1	1	1320908-4	SPACER, STRIP GUIDE	30
1	1	1	1	1	1633091-2	ASSEMBLY, STRIP GUIDE	29
1	1	1	1	1	1-455888-0	SPACER, CRIMPER	28
1	1	1	1	1	1320928-1	PLATE, STRIP GUIDE	24
1	1	1	1	1	690472-2	STRIPPER	22
1	1	1	1	1	2-21000-7	SCR, SKT HD CAP 8-32 X .500	21
4	4	4	4	-	21024-4	WASHER, SPRG LOCK, REG NO 8	20
-	-	1	1	-	691353-1	STRIPPER	19
1	1	1	1	1	679625-1	SHEAR HOLDER, FRONT (NO CUT)	17
1	1	1	1	1	3-22280-3	SPRING, COMPRESSION	12
1	1	1	1	1	690461-1	STOP, SHEAR	11
1	1	1	1	1	690459-1	SHEAR HOLDER, FRONT	10
1	1	1	1	1	462006-7	FLOATING SHEAR, FRONT	9
1	1	1	1	1	2-1633117-8	ANVIL, COMBINATION	8
1	1	1	1	1	2-455889-0	DEPRESSOR, SHEAR	5
1	1	1	1	1	238011-7	BLOCK, CRIMPER SPACER	4
1	1	1	1	1	3-683453-0	CRIMPER, INSULATION PREMIUM	3
1	1	1	1	1	455888-1	SPACER, CRIMPER	2
1	1	1	1	1	2-1490019-4	CRIMPER, WIRE PREMIUM	1

QTY	REV	PART NO	DESCRIPTION	ITEM NO				
-77	-6	-3	-2	-1	U/M	PART NO	DESCRIPTION	ITEM NO