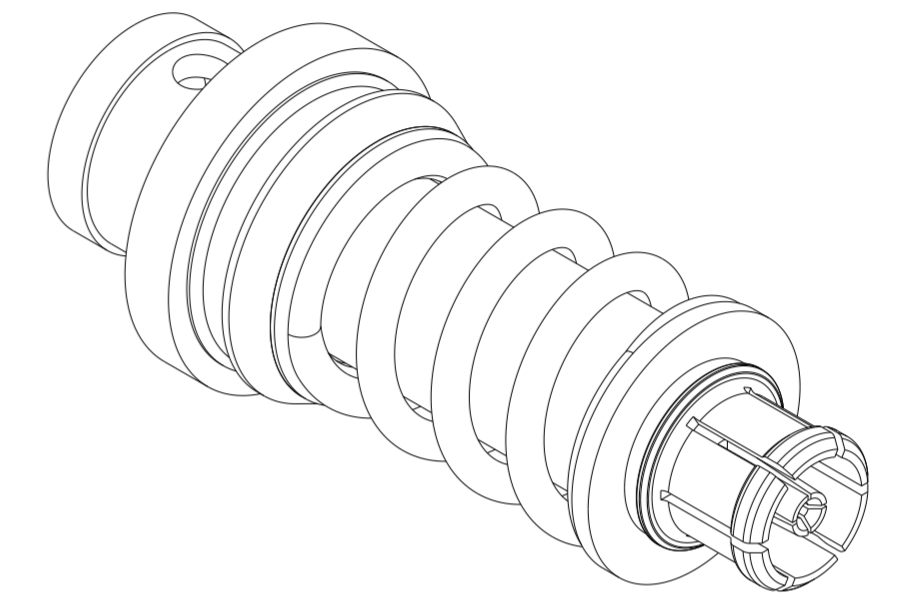
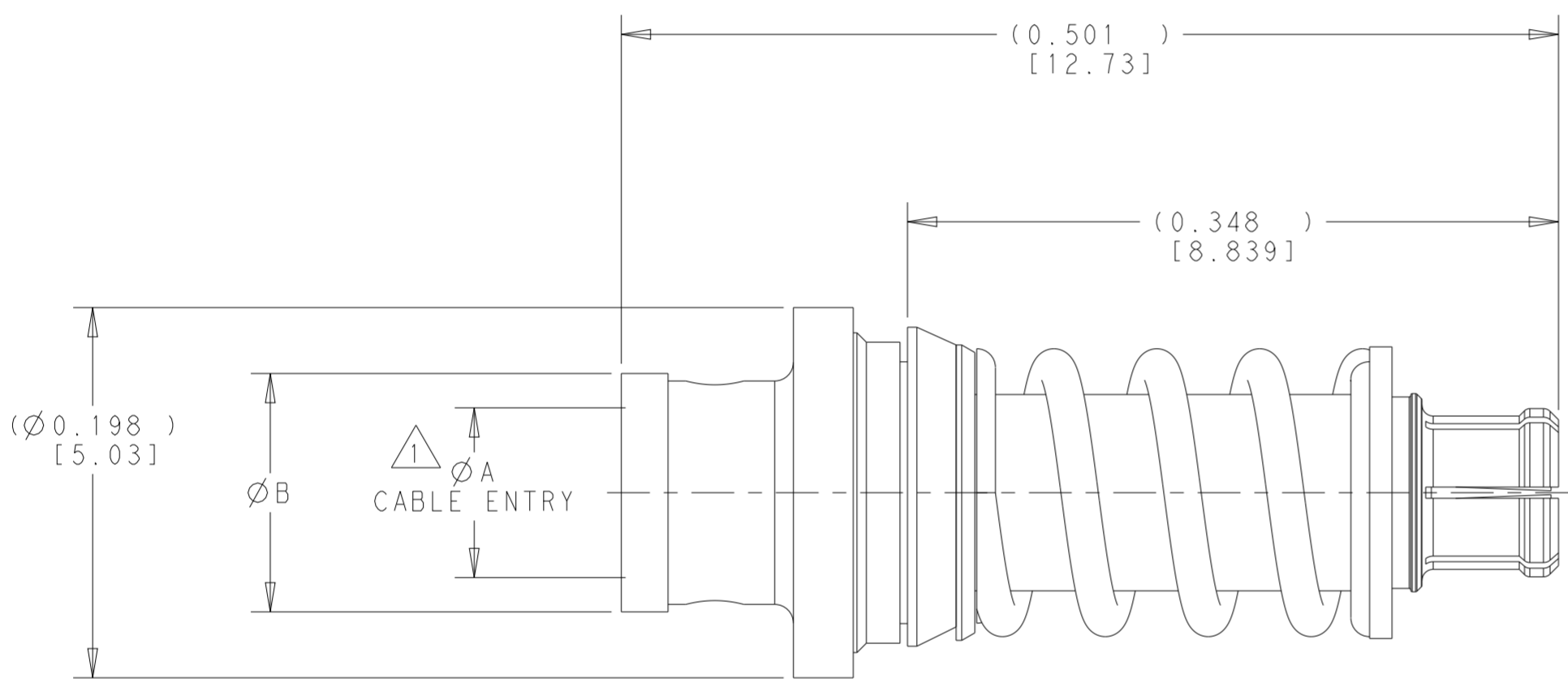


THIS DRAWING IS UNPUBLISHED. RELEASED FOR PUBLICATION  
 © COPYRIGHT copyright.d8te- ALL RIGHTS RESERVED.

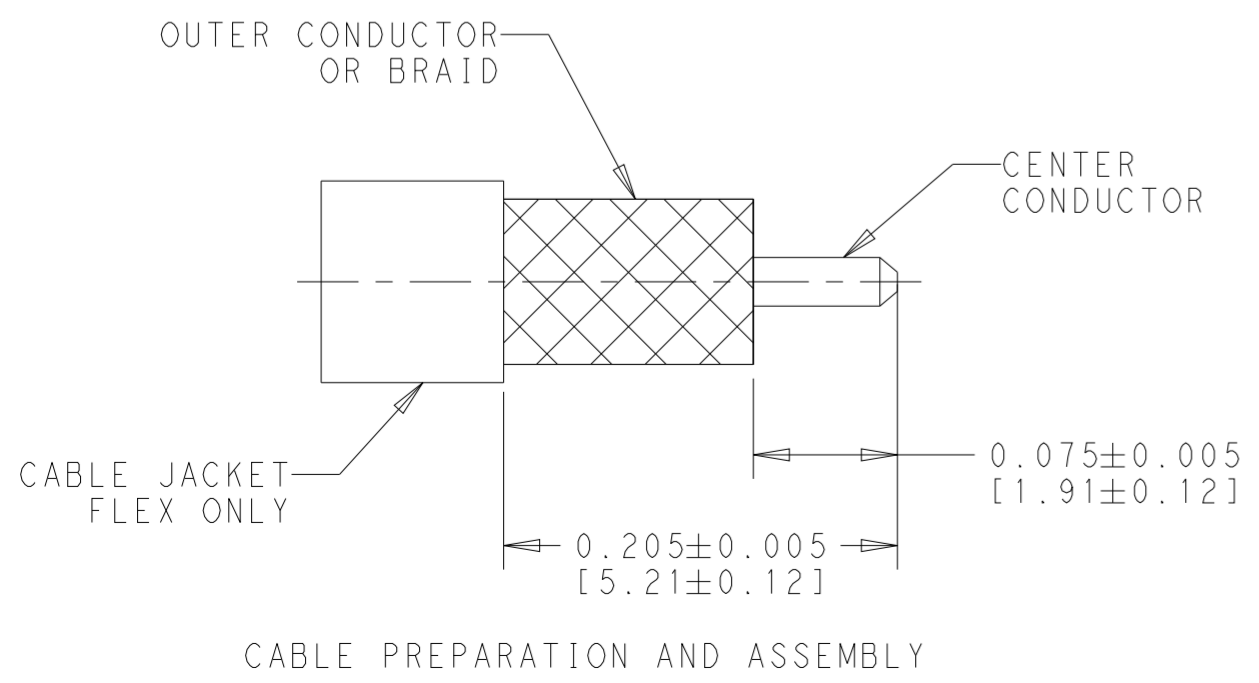
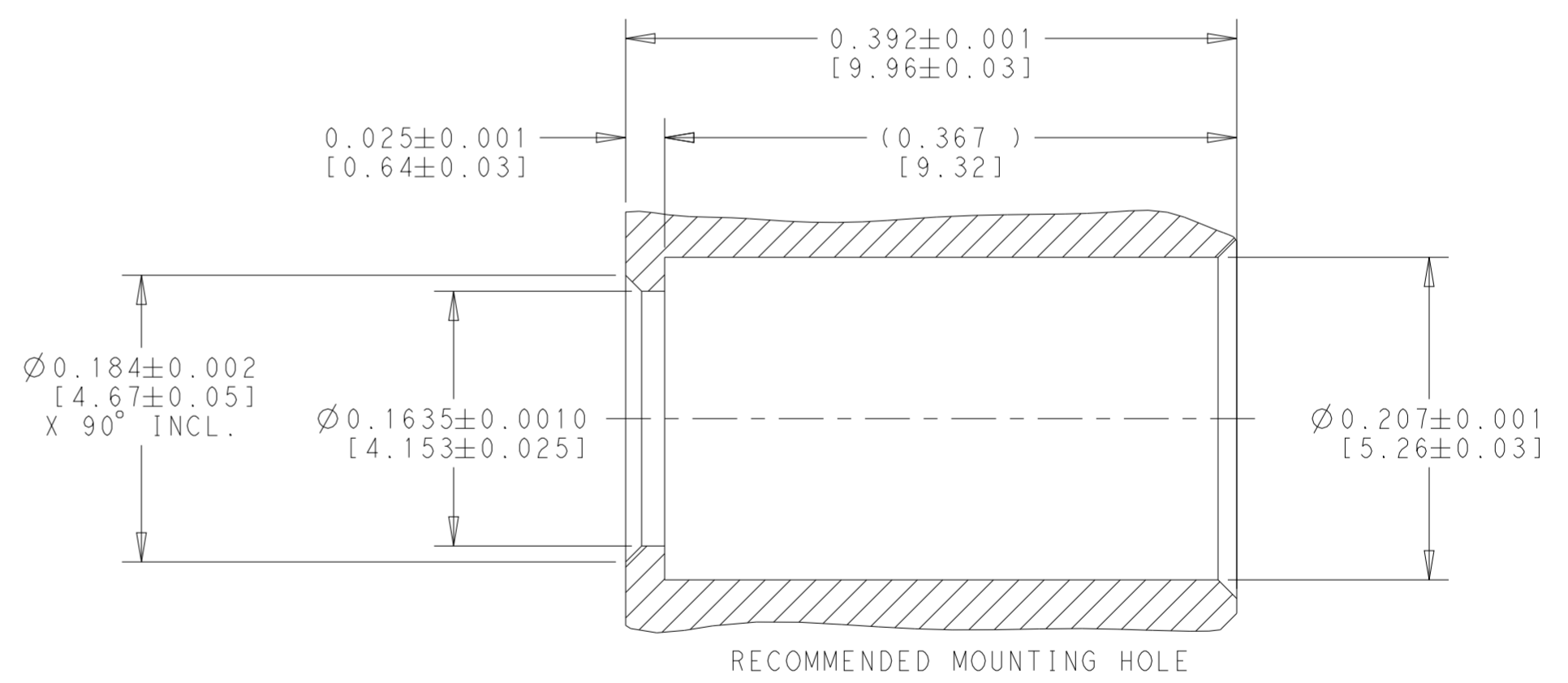
REVISIONS				
P	LTR	DESCRIPTION	DATE	APVD
A		RELEASED	15NOV2021	KM CG

COMPONENT	MATERIAL	FINISH
HOUSING CENTER CONTACT	BERYLLIUM COPPER PER ASTM B196, TD04 TH04 FOR SPRING MEMBERS	GOLD PLATE PER ASTM B488 OVER NICKEL PLATE PER SAE-AMS-QQ-N-290
RETAINING CLIP	BERYLLIUM COPPER PER ASTM B196, TH04	NICKEL PLATE PER SAE-AMS-QQ-N-290
RETAINING WASHERS/SLEEVE DIELECTRIC	BRASS PER UNS C36000 PTFE PER ASTM D1457	NICKEL PLATE PER SAE-AMS-QQ-N-290 N/A
SPRING	MUSIC WIRE PER ASTM A228	NICKEL PLATE PER SAE-AMS-QQ-N-290

1. SOLDER CABLE OUTER CONDUCTOR OR BRAID TO THE HOUSING.
2. SPRING FORCE:  
 PRELOAD = 2.52±.25 LBF  
 FORCE AT .052 DEFLECTION = 3.77±.35 LBF  
 FULL DEFLECTION = .078 [2.0].



SCALE 10:1



(0.090 [2.29])	(0.052 [1.32])	(0.047)	2332684-2
(0.128 [3.24])	(0.091 [2.31])	(0.086)	2332684-1
DIM B	DIM A	NOMINAL CABLE DIAMETER	PART NUMBER

THIS DRAWING IS A CONTROLLED DOCUMENT. DWN: K. MILLER 06 JUN 2018  
 CHK: C. GINGRINCH 15 JAN 2019  
 APVD: -

**STE** TE Connectivity

NAME: SMPM, CABLE JACK, SNAP-IN FLOATING, DAUGHTERCARD

PRODUCT SPEC: 108-163026  
 APPLICATION SPEC: 114-32004

MATERIAL: - FINISH: - WEIGHT: -

SIZE: A2 CAGE CODE: - DRAWING NO: C-2332684 RESTRICTED TO: -

CUSTOMER DRAWING SCALE: 12:1 SHEET: 1 OF 1 REV: A