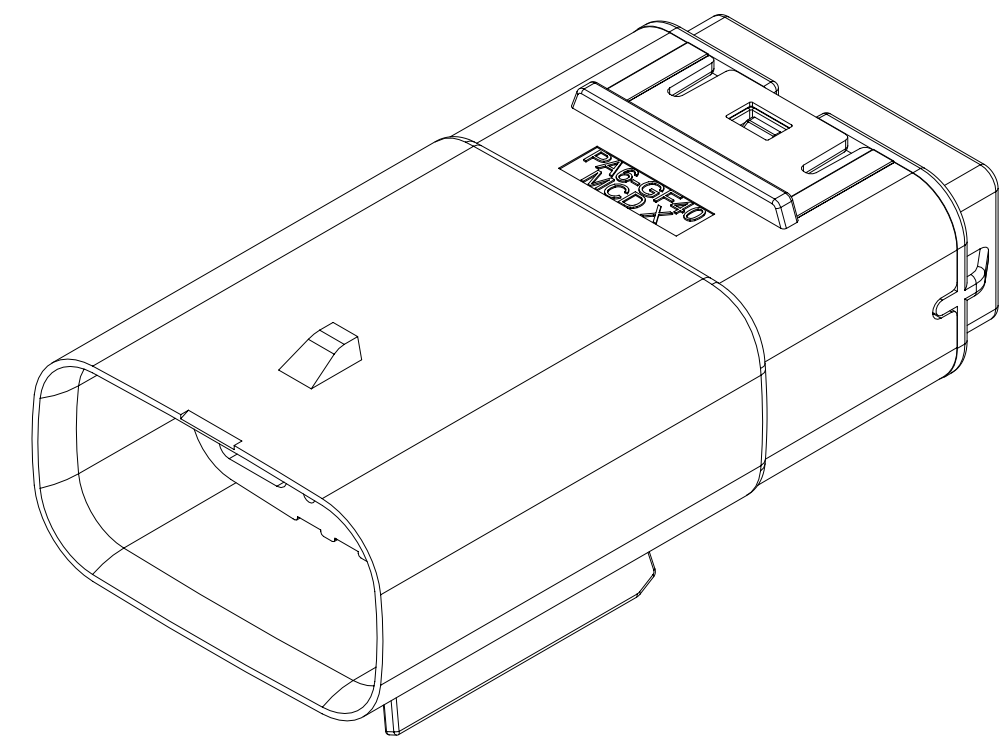


TABLE OF CONTENTS	
SHEET NO.	SHEET DESCRIPTION
1	NOTES
2	CONFIGURATIONS
3	KEY CONFIGURATIONS
4	BLADE CONNECTOR ASSEMBLY
5	SYSTEM PACKAGING
6	12W HYBRID CONNECTOR BOM

DESCRIPTION	PACKAGING DRAWING NO.	MATING INTERFACE/CONNECTOR DRAWINGS	
		INTERFACE DEFINITION	MOLEX INLINE
12W HYBRID	RPK-1601129000	SD-1601110000	SD-1601110000



12W HYBRID

NOTES: VALID UNLESS OTHERWISE SPECIFIED

1. GENERAL:

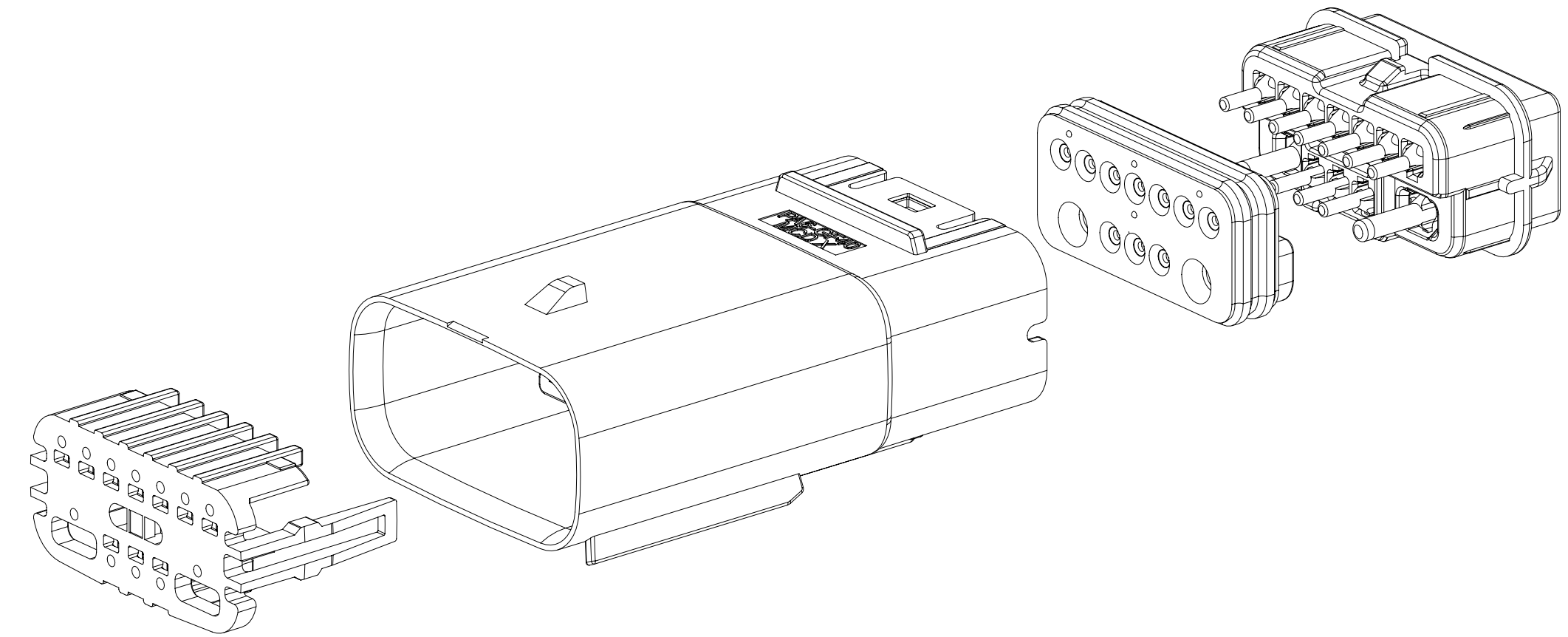
- 1.1 APPLICATION SPECIFICATION SEE: 1601110001-AS
 - CONTAINS: PRODUCT INTRODUCTION, PRODUCT SUMMARY, CONNECTOR ASSEMBLY, PACKAGING INFORMATION, CONNECTOR MATING, SERVICE INSTRUCTIONS, ELECTRICAL CONTINUITY CHECKING, CRIMPING, AND TROUBLE SHOOTING.
 - DESIGNED TO MATE WITH DEVICE OR CONNECTOR AS SPECIFIED IN THE MATING INTERFACE/CONNECTOR DRAWINGS CHART.
 - *DENOTES DRAWINGS THAT CAN BE ACCESSED AT [http://ewcap.uscarteams.org/]
 - ASSEMBLY SHIPPED WITH THE FOLLOWING PARTS IN PRE-LOCK POSITION (PLR, CPA, ISL, LEVEL. SEE PRE-LOCK VIEW ON SHEET X).
- 1.2 PRODUCT SPECIFICATION SEE: 1601110001-PS
 - CONTAINS: SCOPE, PRODUCT DESCRIPTION, INTEGRAL COMPONENTS AND ACCESSORIES, APPLICABLE DOCUMENTS AND SPECIFICATIONS, RATINGS, PERFORMANCE, PACKAGING, GAUGES AND FIXTURES, AND OTHER INFORMATION.
- 1.3 PACKAGING SPECIFICATION PER MOLEX DRAWING: SEE TABLE
- 1.4 PARTS MUST BE IN COMPLIANCE TO MOLEX CHEMICAL SUBSTANCES FOR PRODUCTS AND PACKAGING SPECIFICATION: QEHS-699000-300
- 1.5 DATA MUST BE SUBMITTED UNDER THE MOLEX PART NUMBER TO IMDS (COMPANY ID#13255)

2. DESIGN - MATERIALS:

- 2.1 SEE BOM TABLE

3. DESIGN - GEOMETRY:

- 3.1 THE 3-D CAD DATA IS BASIC (WITHOUT TOLERANCE) AND MUST BE TAKEN FROM THE DATA FILE AT ITS LATEST REVISION.
 - 3.2 THE 3-D CAD DATA IS MASTER FOR THIS PART AND IS TO BE USED TO ESTABLISH DIMENSIONAL INFORMATION NOT SHOWN ON THIS DRAWING. ANY DIMENSIONS UNDERLINED INDICATE A CONFLICT WITH THE MODEL.
 - 3.3 PRODUCT DESIGN MODEL NUMBER(S): SEE BOM TABLE
 - 3.4 GEOMETRIC DIMENSIONS AND TOLERANCES PER ASME Y14.5M-2009
 - 3.5 EDGES OF UNDEFINED SHAPE PER ISO 13715
 - 3.6 CORNERS SHOWN AS SHARP TO BE R 0.2 MAX
 - 3.7 LETTERING SHALL BE 0.15 MAX RAISED IN 0.25 MAX RECESS PAD.
THIS INCLUDES RECYCLING CODE, CAVITY ID, VENDOR IDENTIFICATION, AND CUSTOMER MATERIAL NUMBER.
 - 3.8 VISUAL DEFECTS SHALL MEET COSMETIC STANDARD PS-45499-002 (CLASS B).
 - 3.7 LASER MARKING
 - 1. PART NUMBER
 - 2. DAY OF THE YEAR
 - 3. SHIFT
 - 4. YEAR
- FOR ADDITIONAL INFORMATION SEE SECTION 5 UNDER PROCEDURES IN ES-34735-008.



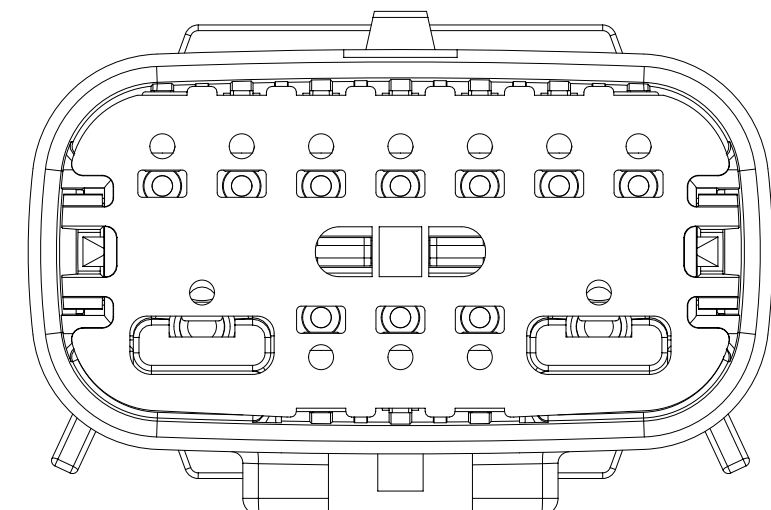
D7	ADD NEW PN 160112-6047
D6	ADD NEW PN 160112-6046
D5	ADD NEW PN 160112-6045
D4	ADD NEW PN 160112-6044
D3	ADD NEW PN 160112-6043
D2	ADD NEW PN 160112-6042
D1	ADD NEW PN 160112-6041
D	ADD NEW PN 160112-6039 AND 160112-6040
C2	UPDATED NOTES
C1	CHANGE DOCUMENT TYPE FROM RSD TO SD
C	ADD NEW PN 160112-6030 THRU 6038
B	UPDATED INFORMATION TO PRODUCTION LEVEL
A2	ADDED NEW PN. 160112-6023 160112-6024 160112-6025 160112-6026 160112-6027 160112-6028 160112-6029
A1	ADDED NEW PN. 160112-6022

INSPECTION NUMBER LOG	
LAST NUMBER: 5	REV
A	INITIAL RELEASE
	REV DESCRIPTION

FUNCTIONAL SYMBOLS	THIS DRAWING CONTAINS INFORMATION THAT IS PROPRIETARY TO MOLEX ELECTRONIC TECHNOLOGIES, LLC AND SHOULD NOT BE USED WITHOUT WRITTEN PERMISSION		CURRENT REV DESC: SEE REVISION TABLE		<h1>molex</h1>
$F_A = 0$	DIMENSION UNITS	SCALE	PHASE: Design Production		
$F_C = 0$	mm	2:1	CO NO: CO-00000522		
$F_P = 0$	GENERAL TOLERANCES (UNLESS SPECIFIED)		DRWN: Srikanth CV 2022-02-16		
DIVISIONAL SYMBOLS	ANGULAR TOL	$\pm 0.5^\circ$	CHK'D: Chaitra D 2022-02-17		
	4 PLACES	± 0.0000	APPR: Gurunandan GA 2022-02-17		
	3 PLACES	± 0.0000	INITIAL REVISION:		
	2 PLACES	± 0.000	DRWN: Srikanth CV 2022-02-16		
	1 PLACE	± 0.00	APPR: Gurunandan GA 2022-02-17		
	0 PLACES	± 0.00	THIRD ANGLE PROJECTION		
DRAFT WHERE APPLICABLE MUST REMAIN WITHIN DIMENSIONS		DRAWING		SERIES	MATERIAL NUMBER
		D-SIZE		160112	1601120000
		CHARTED		CUSTOMER	PSD 000 D7
				SHEET NUMBER	1 OF 6

SHEET DESCRIPTION

CONFIGURATIONS



12W HYBRID

FUNCTIONAL SYMBOLS	THIS DRAWING CONTAINS INFORMATION THAT IS PROPRIETARY TO MOLEX ELECTRONIC TECHNOLOGIES, LLC AND SHOULD NOT BE USED WITHOUT WRITTEN PERMISSION		
	DIMENSION UNITS	SCALE	CURRENT REV DESC: SEE REVISION TABLE
$\nabla_A = 0$	mm	2:1	PHASE: Design Production CO NO: CO-00000522
$\nabla_C = 0$	GENERAL TOLERANCES (UNLESS SPECIFIED)		
$\nabla_P = 0$	ANGULAR TOL $\pm 0.5^\circ$		DRWN: Srikanth CV 2022-02-16
DIVISIONAL SYMBOLS	4 PLACES	± 0.0000	CHK'D: Chaitra D 2022-02-17
	3 PLACES	± 0.0000	APPR: Gurunandan GA 2022-02-17
	2 PLACES	± 0.000	INITIAL REVISION:
	1 PLACE	± 0.00	DRWN: Srikanth CV 2022-02-16
	0 PLACES	± 0.00	APPR: Gurunandan GA 2022-02-17
DRAFT WHERE APPLICABLE MUST REMAIN WITHIN DIMENSIONS		THIRD ANGLE PROJECTION	DRAWING
			SERIES
			MATERIAL NUMBER
		D-SIZE	CUSTOMER
		160112	CHARTED
			DOCUMENT NUMBER
			DOC TYPE DOC PART REVISION
			1601120000 PSD 000 D7
			SHEET NUMBER
			2 OF 6

molex

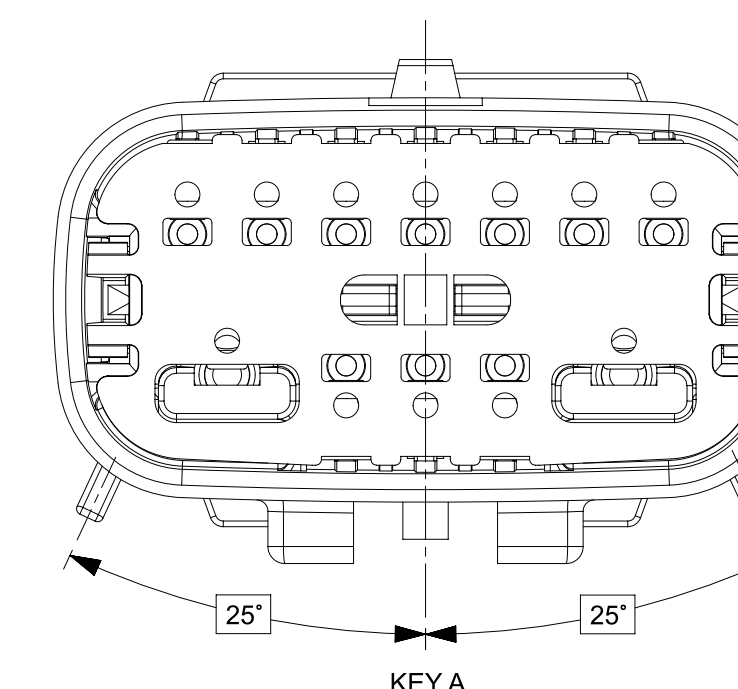
MX150 HYBRID MAT SEAL BLD CONN ASM SALES

PRODUCT SALES DRAWING

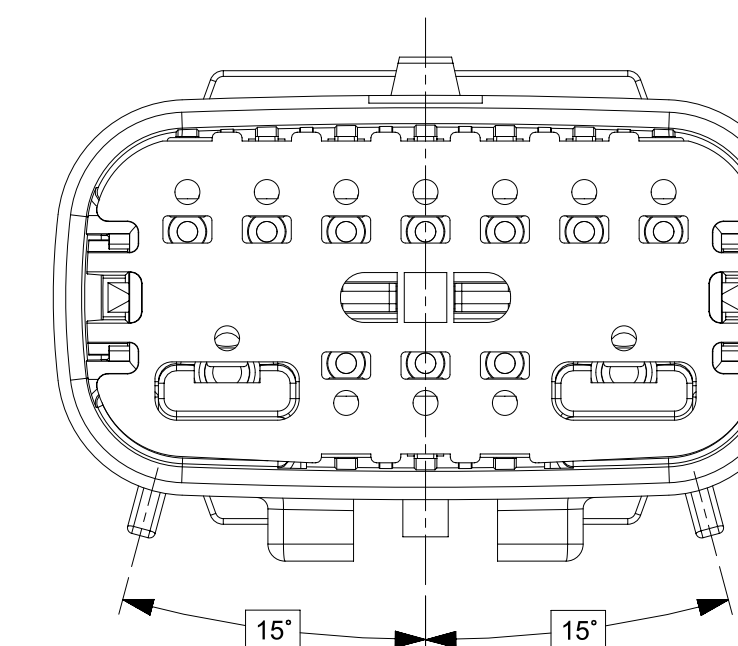
2 OF 6

SHEET DESCRIPTION
KEY CONFIGURATIONS

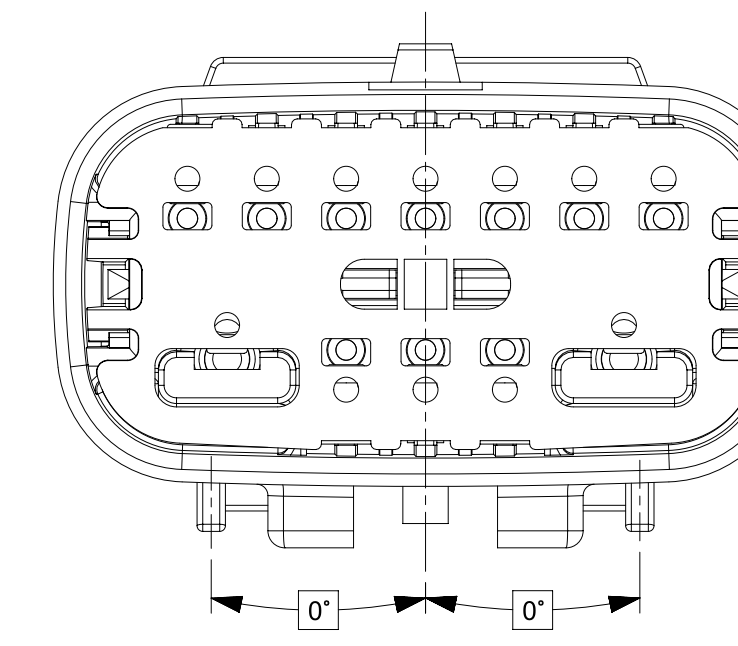
12W HYBRID



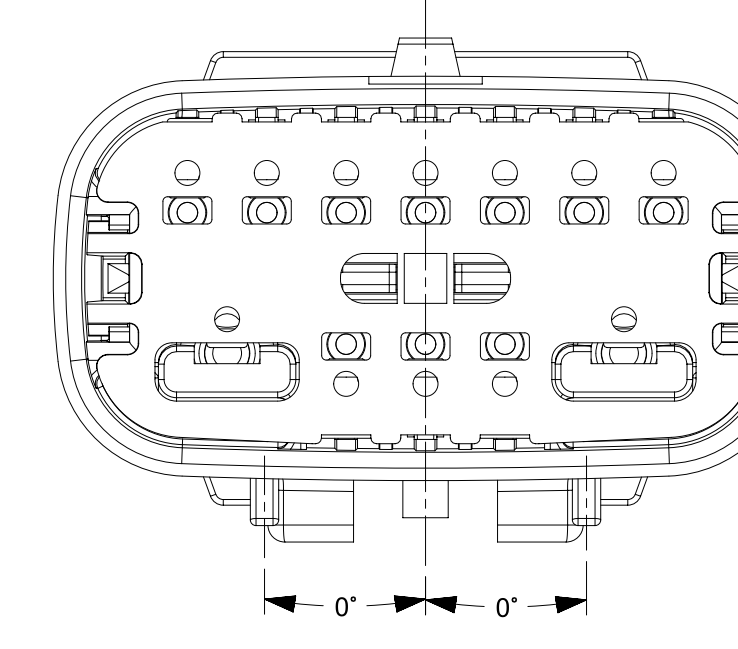
KEY A



KEY B



KEY C

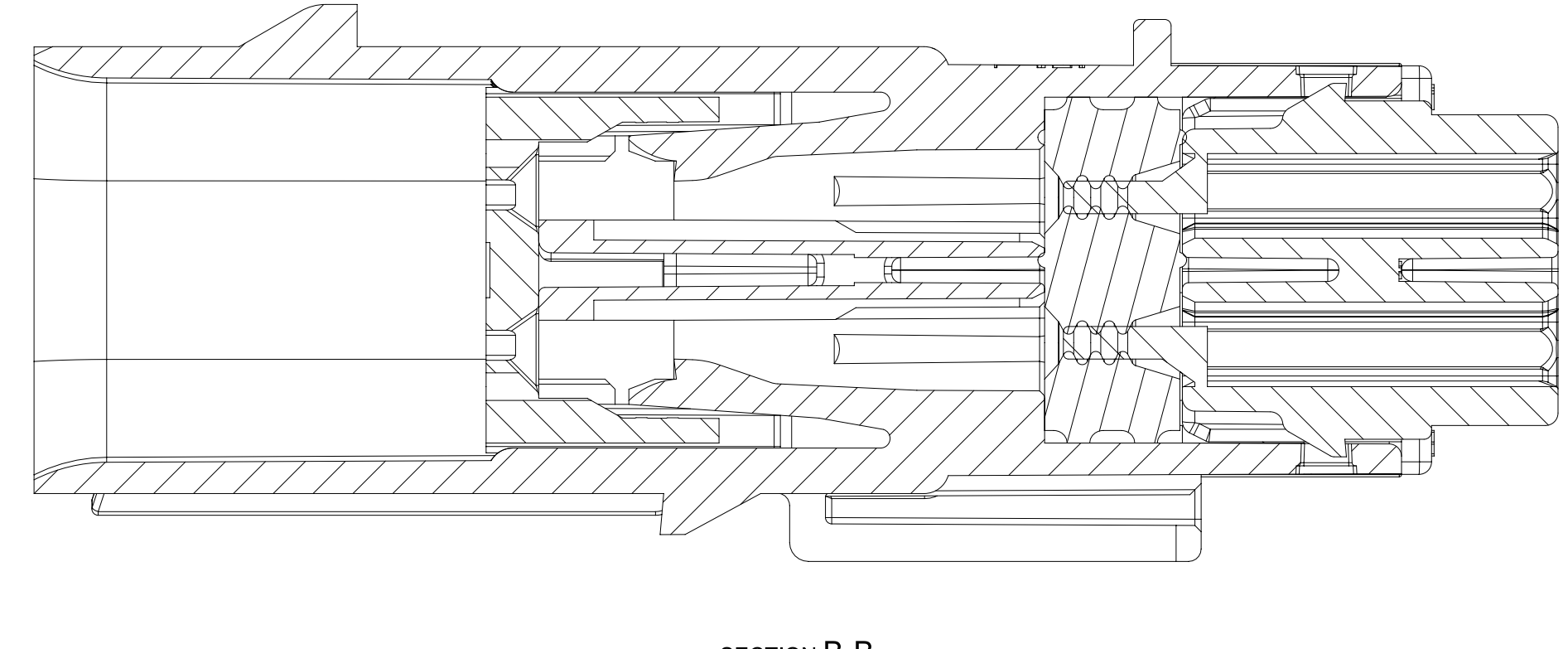
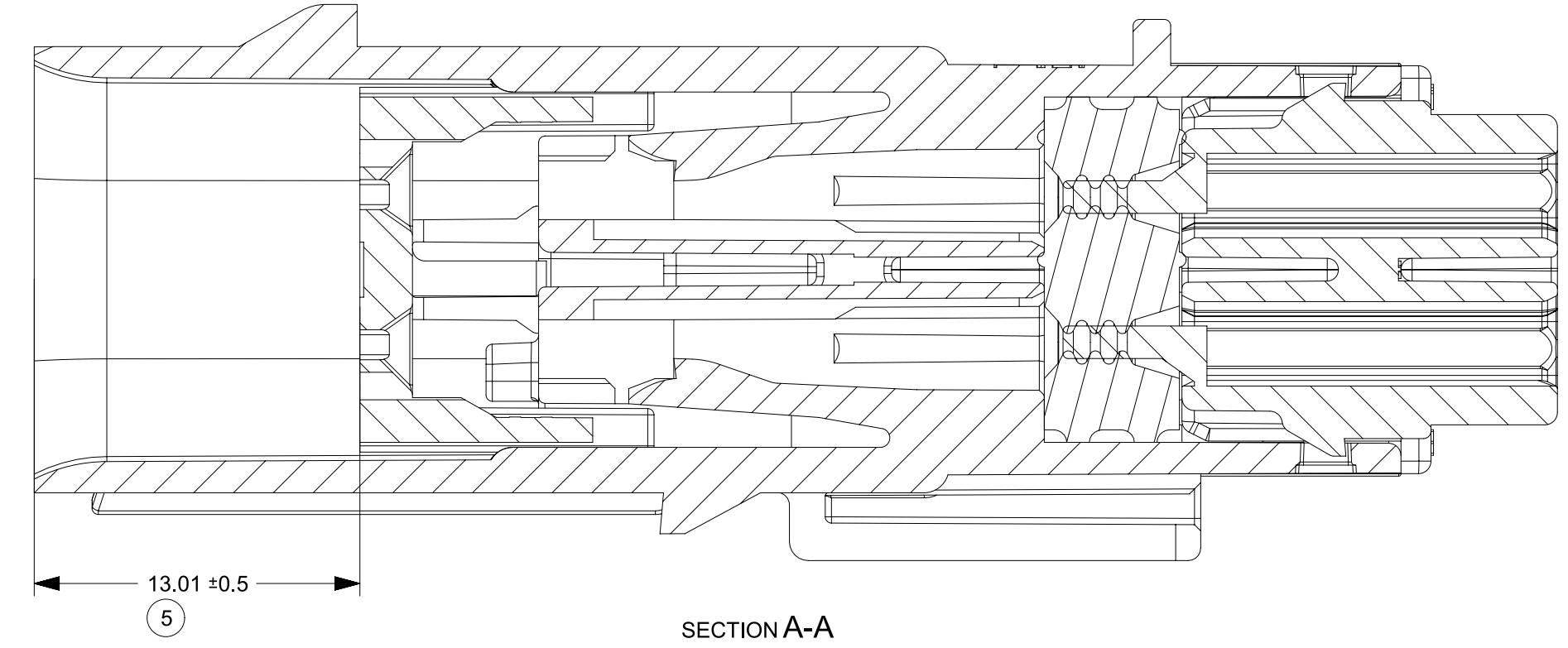
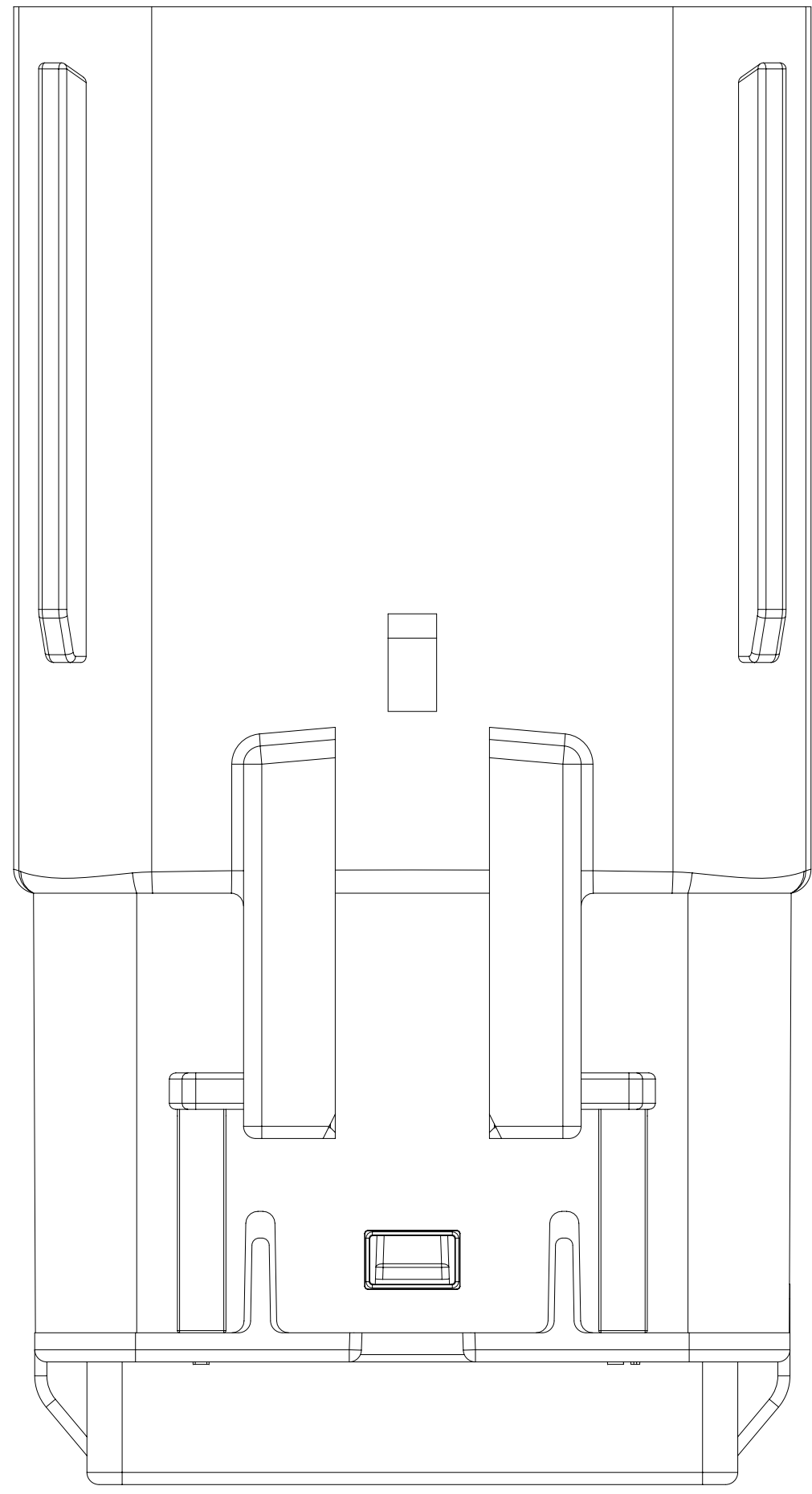
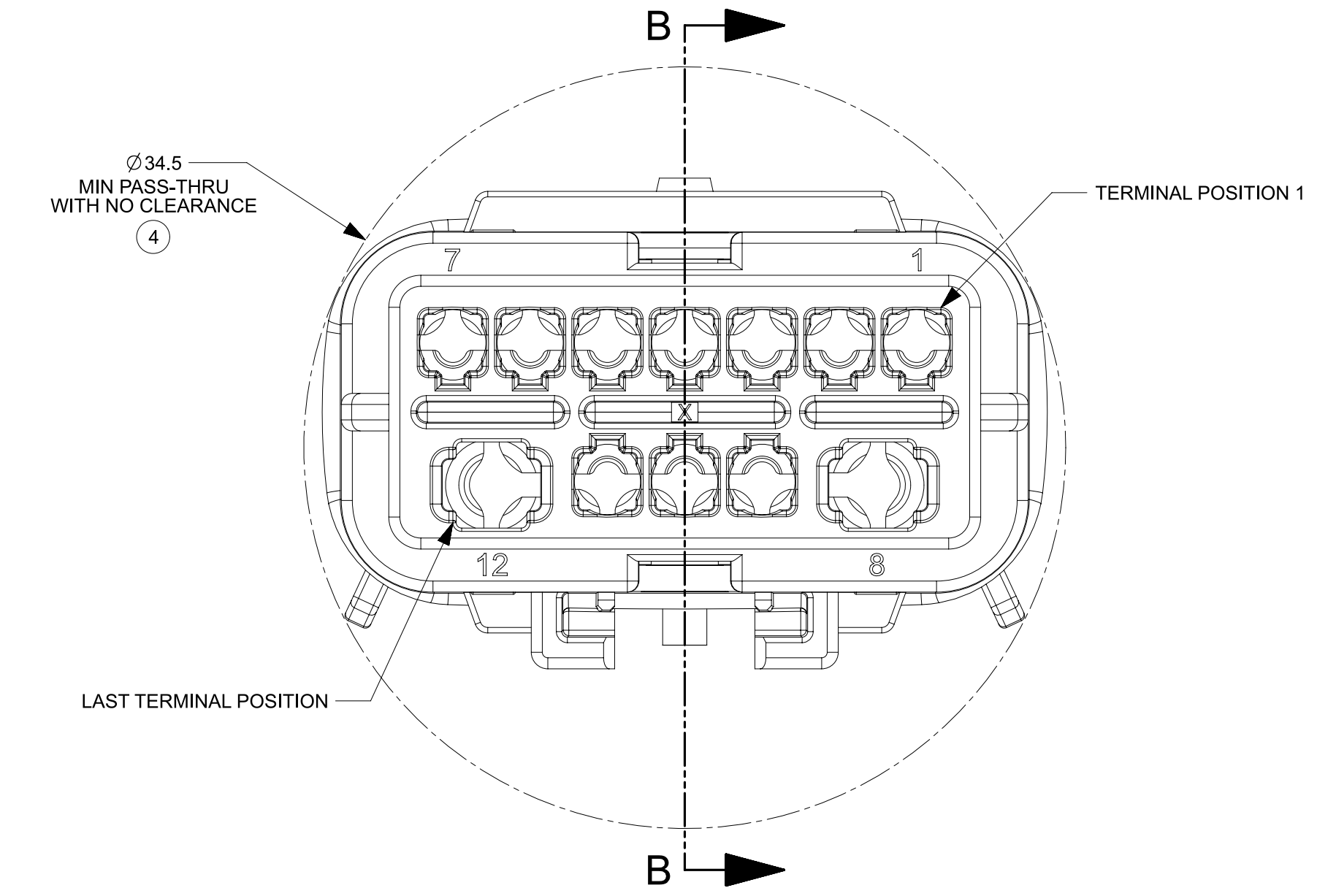
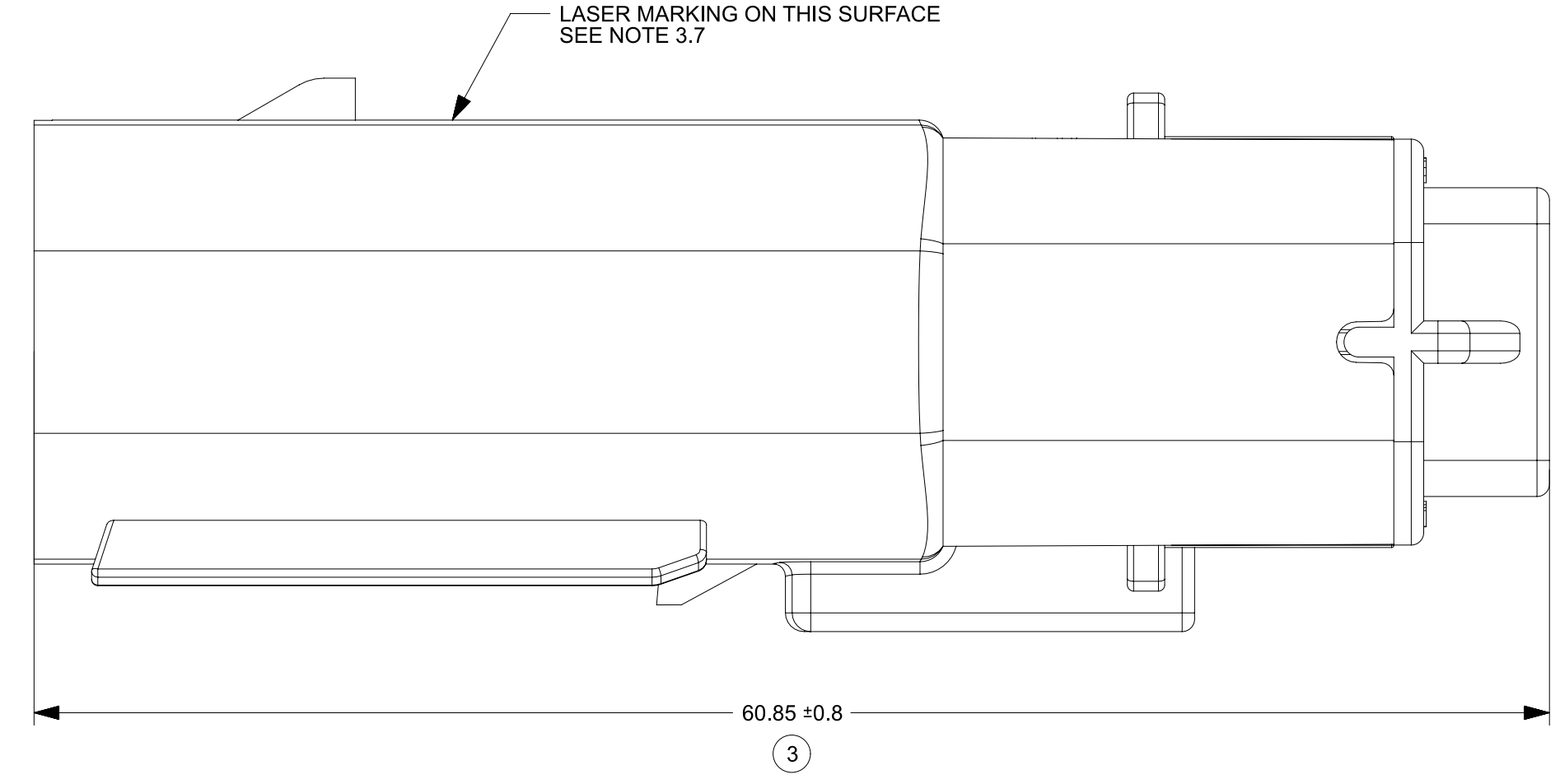
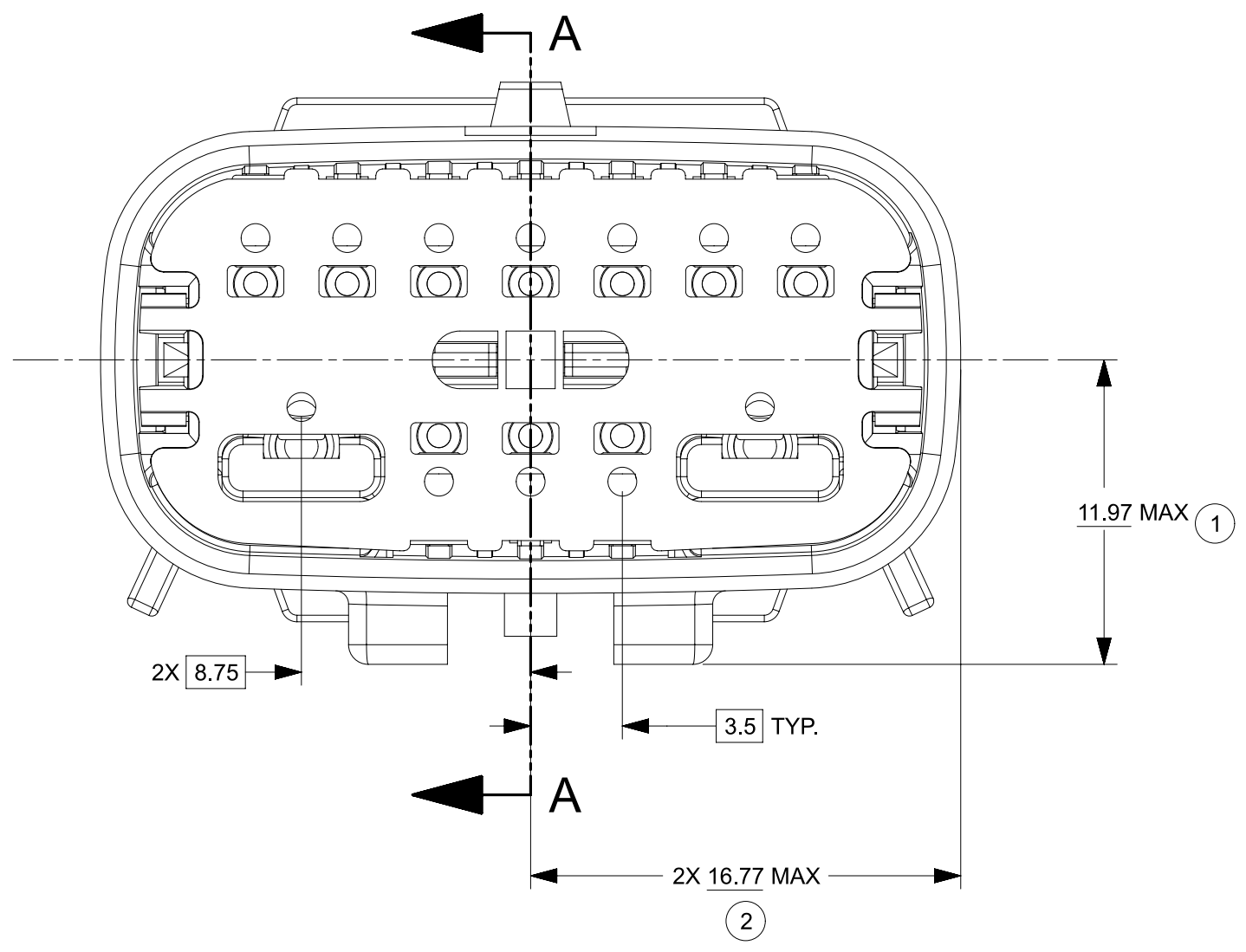


KEY D

FUNCTIONAL SYMBOLS	THIS DRAWING CONTAINS INFORMATION THAT IS PROPRIETARY TO MOLEX ELECTRONIC TECHNOLOGIES, LLC AND SHOULD NOT BE USED WITHOUT WRITTEN PERMISSION		CURRENT REV DESC: SEE REVISION TABLE					
	DIMENSION UNITS	SCALE						
$\nabla_A = 0$	mm	3:1	PHASE: Design Production CO NO: CO-00000522 DRWN: Srikanth CV 2022-02-16 CHK'D: Chaitra D 2022-02-17 APPR: Gurunandan GA 2022-02-17		MX150 HYBRID MAT SEAL BLD CONN ASM SALES			
GENERAL TOLERANCES (UNLESS SPECIFIED)								PRODUCT SALES DRAWING
ANGULAR TOL	$\pm 0.5^\circ$				DOCUMENT NUMBER	DOC TYPE	DOC PART	
4 PLACES	± 0.0000				1601120000	PSD	000	D7
3 PLACES	± 0.0000				MATERIAL NUMBER		CUSTOMER	
2 PLACES	± 0.0000		160112		CHARTED			
1 PLACE	± 0.00		SERIES		SHEET NUMBER			
0 PLACES	± 0.00		D-SIZE		3 OF 6			
DIVISIONAL SYMBOLS	DRAFT WHERE APPLICABLE MUST REMAIN WITHIN DIMENSIONS		THIRD ANGLE PROJECTION					
$\nabla_C = 0$								
$\nabla_D = 0$								

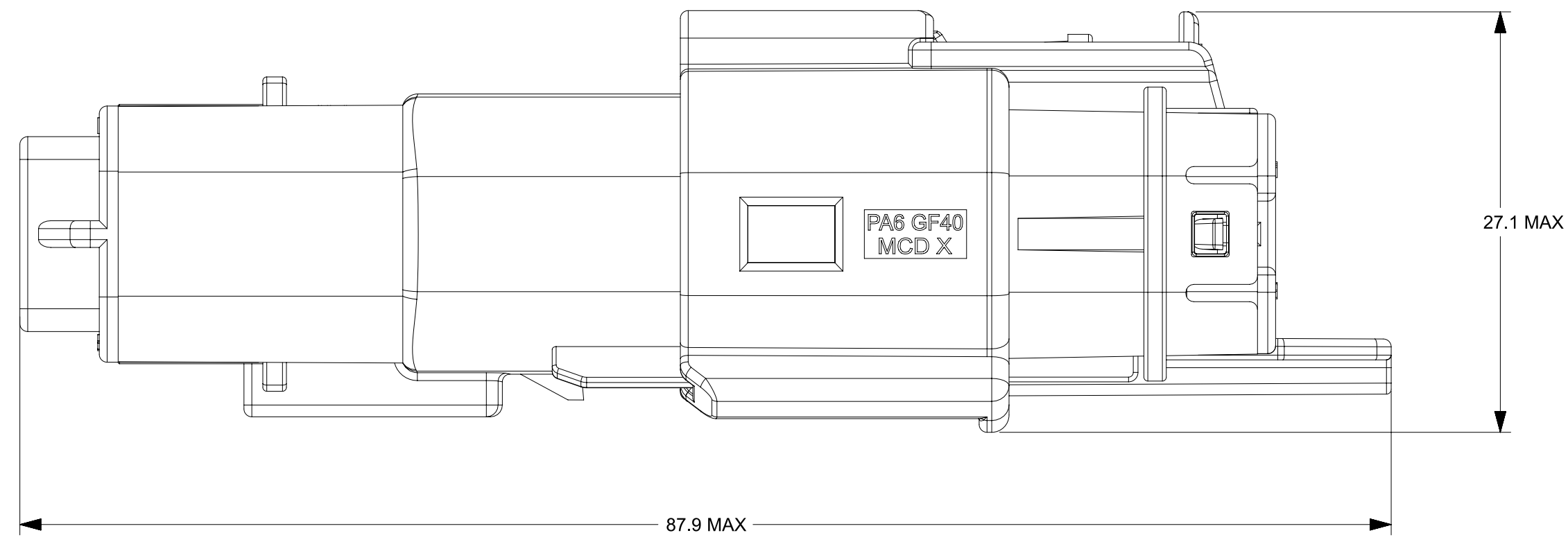
SEE NOTES

SHEET DESCRIPTION
BLADE CONNECTOR ASSEMBLY

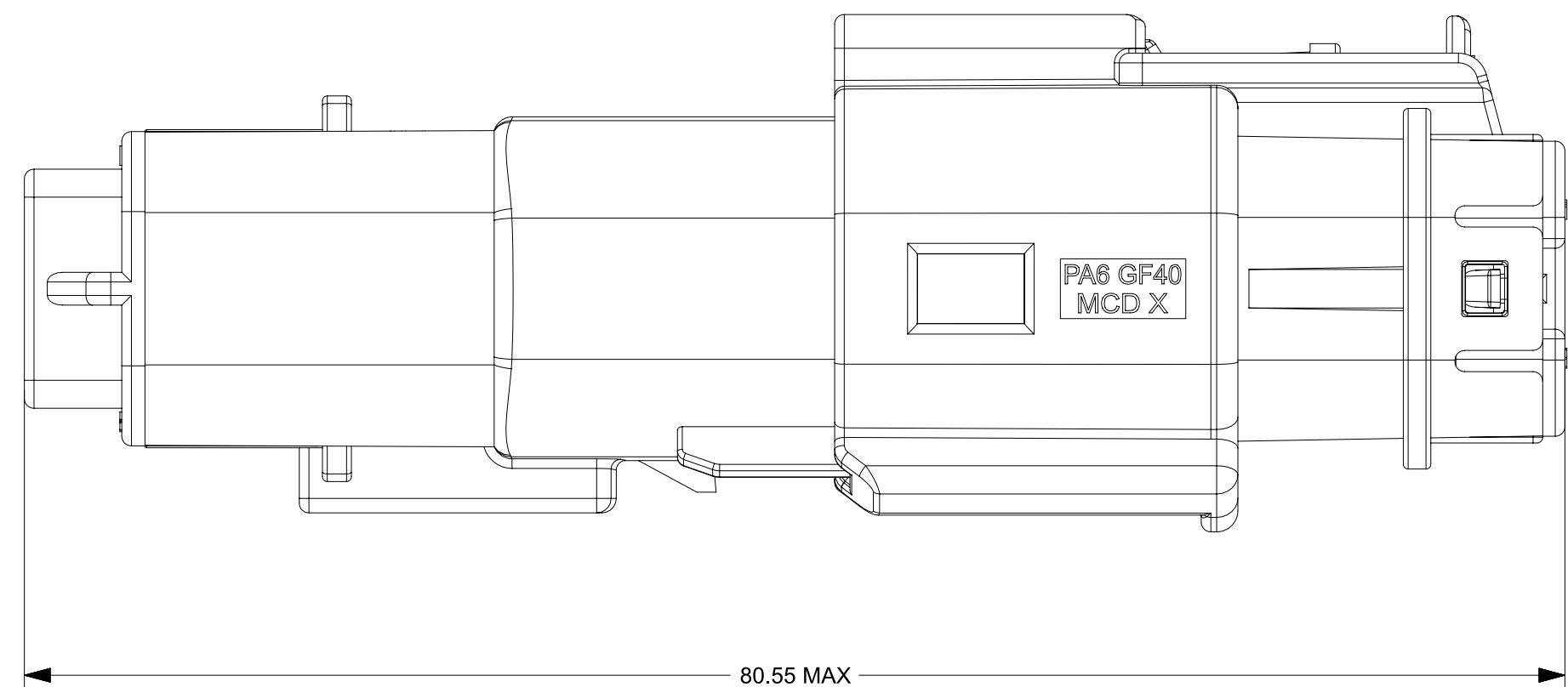


FUNCTIONAL SYMBOLS $\nabla_A = 0$ $\nabla_C = 0$ $\nabla_P = 0$	DIMENSION UNITS: mm SCALE: 4:1	CURRENT REV DESC: SEE REVISION TABLE			
	GENERAL TOLERANCES (UNLESS SPECIFIED) ANGULAR TOL ± 0.5° 4 PLACES ± 0.0000 3 PLACES ± 0.0000 2 PLACES ± 0.000 1 PLACE ± 0.00 0 PLACES ± 0.00	PHASE: Design Production CO NO: CO-00000522 DRWN: Srikanth CV 2022-02-16 CHK'D: Chaitra D 2022-02-17 APPR: Gurunandan GA 2022-02-17			
DIVISIONAL SYMBOLS SEE NOTES	DRAFT WHERE APPLICABLE MUST REMAIN WITHIN DIMENSIONS	THIRD ANGLE PROJECTION 	DRAWING: D-SIZE SERIES: 160112	MATERIAL NUMBER: 1601120000 CUSTOMER: CHARTED	DOCUMENT NUMBER: 1601120000 DOC TYPE: PSD DOC PART: 000 REVISION: D7
			SHEET NUMBER: 4 OF 6		

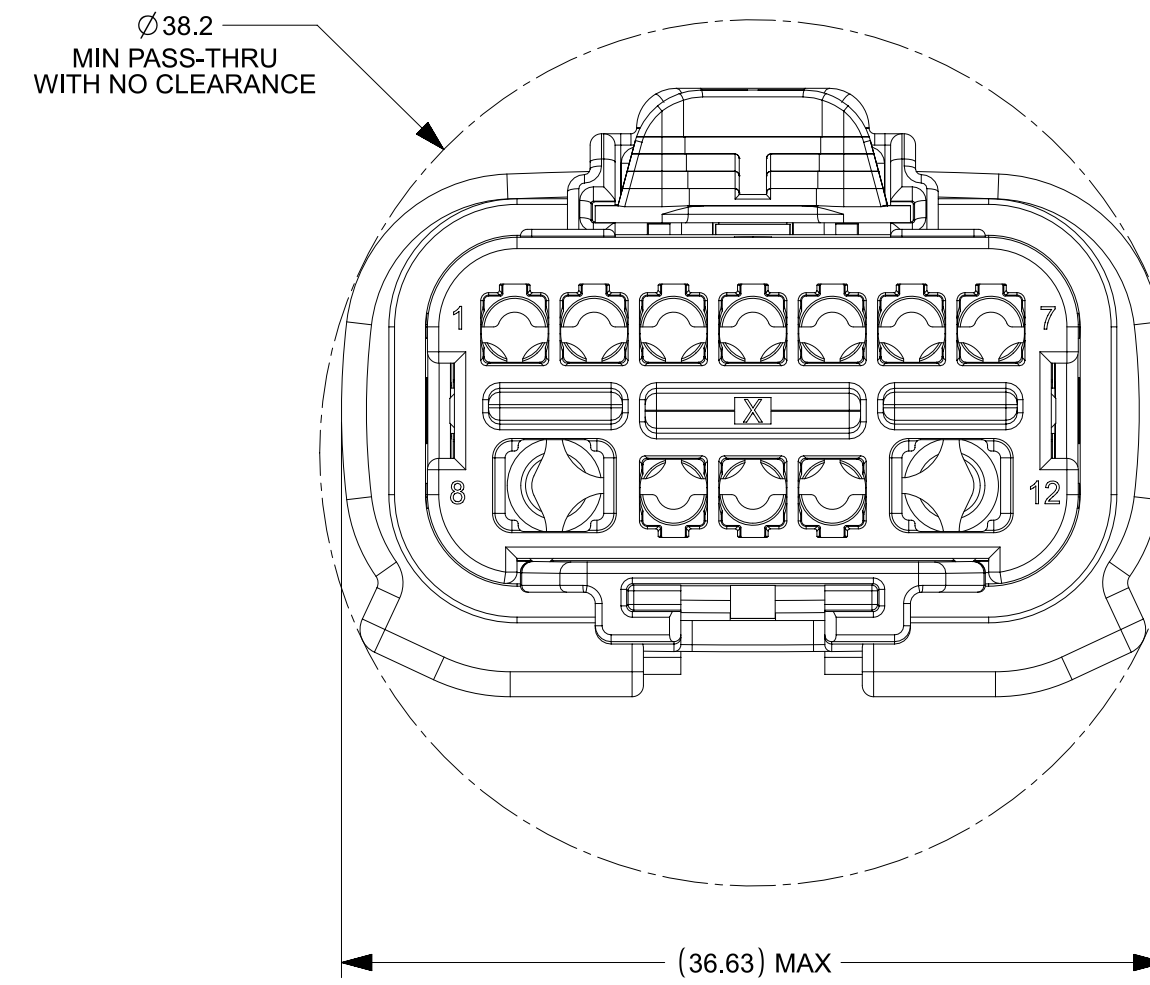
SHEET DESCRIPTION
SYSTEM PACKAGING



WITH EXTENDED CLIPSLOT RECEPTACLE HOUSING

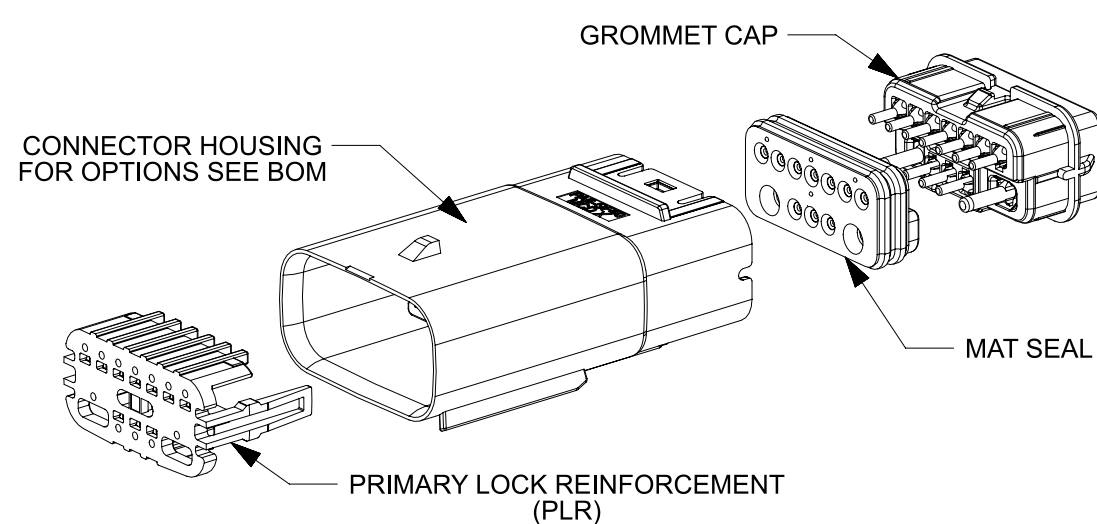
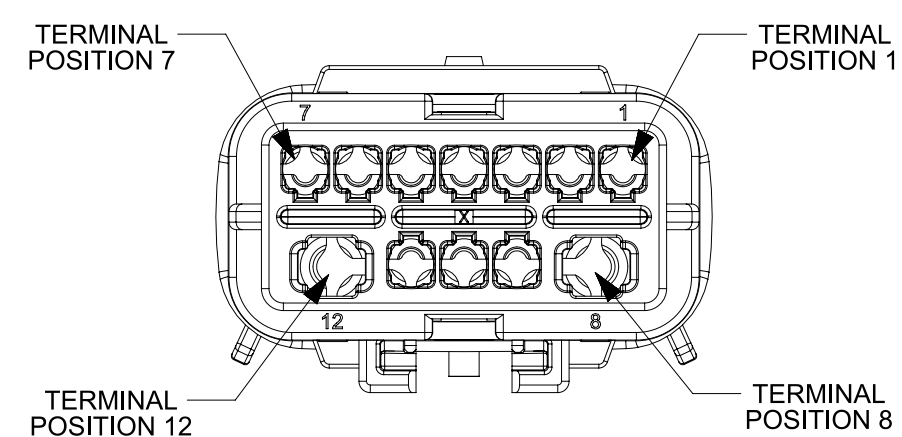


NON CLIPSLOT RECEPTACLE HOUSING



FUNCTIONAL SYMBOLS	THIS DRAWING CONTAINS INFORMATION THAT IS PROPRIETARY TO MOLEX ELECTRONIC TECHNOLOGIES, LLC AND SHOULD NOT BE USED WITHOUT WRITTEN PERMISSION		CURRENT REV DESC: SEE REVISION TABLE			
	DIMENSION UNITS	SCALE				
$\nabla_A = 0$	mm	3:1	GENERAL TOLERANCES (UNLESS SPECIFIED)		PHASE: Design Production CO NO: CO-00000522 DRWN: Srikanth CV 2022-02-16 CHK'D: Chaitra D 2022-02-17 APPR: Gurunandan GA 2022-02-17	
$\nabla_C = 0$	ANGULAR TOL $\pm 0.5^\circ$					
$\nabla_D = 0$	4 PLACES ± 0.0000		INITIAL REVISION:		DOCUMENT NUMBER	
DIVISIONAL SYMBOLS	3 PLACES ± 0.0000		DRWN: Srikanth CV 2022-02-16		1601120000	
	2 PLACES ± 0.000		APPR: Gurunandan GA 2022-02-17		PSD 000 D7	
1 PLACE ± 0.00		DRWN: Srikanth CV 2022-02-16		REVISION		
0 PLACES ± 0.00		APPR: Gurunandan GA 2022-02-17		SHEET NUMBER		
DRAFT WHERE APPLICABLE MUST REMAIN WITHIN DIMENSIONS		THIRD ANGLE PROJECTION	DRAWING	SERIES	MATERIAL NUMBER	CUSTOMER
			D-SIZE	160112	CHARTED	5 OF 6

SHEET DESCRIPTION
12W HYBRID CONNECTOR BOM



ABBREVIATION	DESCRIPTION	COLOR	MATERIAL
A-BLK	HOUSING KEYING OPTION A	BLACK	PA6 GF40
B-LG	HOUSING KEYING OPTION B	LIGHT GRAY	PA6 GF40
C-DG	HOUSING KEYING OPTION C	DARK GRAY	PA6 GF40
D-SG	HOUSING KEYING OPTION D	STONE GRAY	PA6 GF40
A-Y	HOUSING KEYING OPTION A	YELLOW	PA6 GF40
GCP	GROMMET CAP (PLUGGED)	BLACK	PA6 GF40
PLR	PLR	NATURAL	PA6 GF40
M	MAT SEAL 2.8/1.5	RUST RED	INHERENTLY LUBRICATED SILICONE

ASSEMBLY DESCRIPTION	ASSEMBLY PART NUMBER*	COMPONENT				BLOCKED TERMINALS												STATUS	COMMENTS	OPTIONAL ATTACHMENTS SOLD SEPERATELY		
		THE PRESENCE OF AN ABBREVIATION INDICATES THE PRESENCE OF THAT COMPONENT.				CAVITY WITH A NUMBER INDICATES BLOCKED TERMINAL POSITION CAVITY WITHOUT A NUMBER INDICATES OPEN TERMINAL POSITION														BACKSHELL WITH RIBS	BACKSHELL WITHOUT RIBS	
		HOUSING KEY/COLOR	GROMMET CAP	PLR	MAT SEAL	1	2	3	4	5	6	7	8	9	10	11	12					
KEY A, BLACK	160112-6001	A-BLK	GCP	PLR	M														SALEABLE			
KEY B, LIGHT GRAY	160112-6002	B-LG	GCP	PLR	M														SALEABLE			
KEY C, DARK GRAY	160112-6003	C-DG	GCP	PLR	M														SALEABLE			
KEY D, STONE GRAY	160112-6004	D-SG	GCP	PLR	M														SALEABLE			
KEY A, YELLOW	160112-6005	A-Y	GCP	PLR	M														OK TO TOOL			
KEY A, BLACK	160112-6006	A-BLK	GCP	PLR	M			3	4	5	6	7		9	10	11			SALEABLE			
KEY A, BLACK	160112-6007	A-BLK	GCP	PLR	M				4	5	6	7	8						SALEABLE			
KEY A, BLACK	160112-6008	A-BLK	GCP	PLR	M			1	2	3	4	5		8		10			SALEABLE			
KEY A, BLACK	160112-6009	A-BLK	GCP	PLR	M			1			4	5		8					SALEABLE			
KEY A, BLACK	160112-6010	A-BLK	GCP	PLR	M			1	2	3						10			SALEABLE			
KEY A, BLACK	160112-6011	A-BLK	GCP	PLR	M			1											SALEABLE			
KEY A, BLACK	160112-6012	A-BLK	GCP	PLR	M				2	3	4	5	6	7	8		10		SALEABLE			
KEY A, BLACK	160112-6013	A-BLK	GCP	PLR	M						4	5	6	7	8				SALEABLE			
KEY A, BLACK	160112-6014	A-BLK	GCP	PLR	M				2	3	4	5		8		10			SALEABLE			
KEY A, BLACK	160112-6015	A-BLK	GCP	PLR	M						4	5		8					SALEABLE			
KEY A, BLACK	160112-6016	A-BLK	GCP	PLR	M				2	3						10			SALEABLE			
KEY A, BLACK	160112-6017	A-BLK	GCP	PLR	M								7	8	9	10	11	12	SALEABLE			
KEY A, BLACK	160112-6018	A-BLK	GCP	PLR	M									8		10	11	12	SALEABLE			
KEY A, BLACK	160112-6019	A-BLK	GCP	PLR	M			1	2	3	4	5	6	7	9		12		SALEABLE			
KEY A, BLACK	160112-6020	A-BLK	GCP	PLR	M								7	9			12		SALEABLE			
KEY A, BLACK	160112-6021	A-BLK	GCP	PLR	M												12		SALEABLE			
KEY A, BLACK	160112-6022	A-BLK	GCP	PLR	M			1	2	3	4	5	6	7	8		10		SALEABLE			
KEY A, BLACK	160112-6023	A-BLK	GCP	PLR	M					3					9	10	11		SALEABLE			
KEY A, BLACK	160112-6024	A-BLK	GCP	PLR	M								7		9	10			SALEABLE			
KEY A, BLACK	160112-6025	A-BLK	GCP	PLR	M						4	5	6	7	9	10			SALEABLE			
KEY A, BLACK	160112-6026	A-BLK	GCP	PLR	M					3	4	5	6	7	9	10	11		SALEABLE			
KEY A, BLACK	160112-6027	A-BLK	GCP	PLR	M			1	2	3				7	8	9	10	11	12	SALEABLE		
KEY A, BLACK	160112-6028	A-BLK	GCP	PLR	M			1	2					7	8	9	10		12	SALEABLE		
KEY A, BLACK	160112-6029	A-BLK	GCP	PLR	M			1	2		4	5	6	7	8	9	10		12	SALEABLE		
KEY A, BLACK	160112-6030	A-BLK	GCP	PLR	M			1	2	3				7					SALEABLE			
KEY A, BLACK	160112-6031	A-BLK	GCP	PLR	M			1		3				7			11		SALEABLE			
KEY A, BLACK	160112-6032	A-BLK	GCP	PLR	M			1		3				7					SALEABLE			
KEY A, BLACK	160112-6033	A-BLK	GCP	PLR	M			1			4	5							SALEABLE			
KEY A, BLACK	160112-6034	A-BLK	GCP	PLR	M				2		4	5	6						SALEABLE			
KEY A, BLACK	160112-6035	A-BLK	GCP	PLR	M			1	2	3	4	5	6	7					SALEABLE			
KEY A, BLACK	160112-6036	A-BLK	GCP	PLR	M			1	2	3	4	5	6	7			11		SALEABLE			
KEY A, BLACK	160112-6037	A-BLK	GCP	PLR	M						4	5	6				11		SALEABLE			
KEY A, BLACK	160112-6038	A-BLK	GCP	PLR	M						4	5	6						SALEABLE			
KEY A, BLACK	160112-6039	A-BLK	GCP	PLR	M			1	2	3				7			11		SALEABLE			
KEY A, BLACK	160112-6040	A-BLK	GCP	PLR	M			1		3	4	5	6	7					SALEABLE			
KEY A, BLACK	160112-6041	A-BLK	GCP	PLR	M									7			12		SALEABLE			
KEY A, BLACK	160112-6042	A-BLK	GCP	PLR	M										9	10			SALEABLE			
KEY A, BLACK	160112-6043	A-BLK	GCP	PLR	M										8			12	SALEABLE			
KEY A, BLACK	160112-6044	A-BLK	GCP	PLR	M										8				SALEABLE			
KEY B, LIGHT GRAY	160112-6045	B-LG	GCP	PLR	M					4	5			8			12		SALEABLE			
KEY A, BLACK	160112-6046	A-BLK	GCP	PLR	M			2						7			10	12	SALEABLE			
KEY A, BLACK	160112-6047	A-BLK	GCP	PLR	M					3	4	5	6				11		SALEABLE			

D7

FUNCTIONAL SYMBOLS FA = 0 FE = 0 FP = 0 DIVISIONAL SYMBOLS	THIS DRAWING CONTAINS INFORMATION THAT IS PROPRIETARY TO MOLEX ELECTRONIC TECHNOLOGIES, LLC AND SHOULD NOT BE USED WITHOUT WRITTEN PERMISSION		CURRENT REV DESC: SEE REVISION TABLE		
	DIMENSION UNITS	SCALE	PHASE: Design Production		
	mm	1:1	CO NO: CO-00000522		
	GENERAL TOLERANCES (UNLESS SPECIFIED)		DRWN: Srikanth CV 2022-02-16		
ANGULAR TOL ± 0.5°		CHK'D: Chaitra D 2022-02-17		PRODUCT SALES DRAWING	
4 PLACES ± 0.0000		APPR: Gurunandan GA 2022-02-17			
3 PLACES ± 0.0000		INITIAL REVISION:		DOCUMENT NUMBER 1601120000	
2 PLACES 0.000		DRWN: Srikanth CV 2022-02-16			
1 PLACE ± 0.00		APPR: Gurunandan GA 2022-02-17		DOC TYPE: PSD	
0 PLACES ± 0.00		DRAFT WHERE APPLICABLE MUST REMAIN WITHIN DIMENSIONS		DOC PART: 000	
THIRD ANGLE PROJECTION		DRAWING SERIES		REVISION: D7	
		D-SIZE 160112		MATERIAL NUMBER: CHARTED	
				CUSTOMER	
				SHEET NUMBER: 6 OF 6	