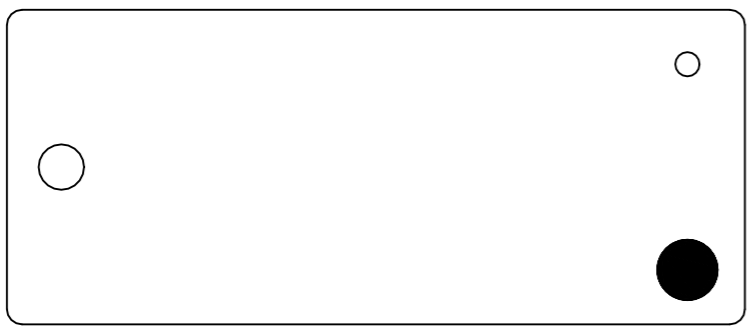


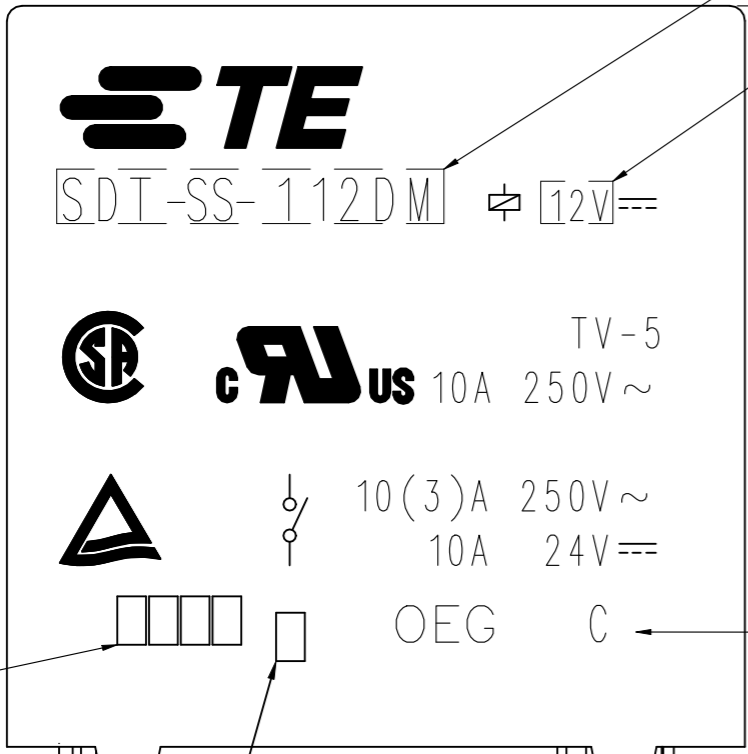
THIS DRAWING IS UNPUBLISHED. RELEASED FOR PUBLICATION
 © COPYRIGHT - By TE Connectivity ALL RIGHTS RESERVED.

LOC	DIST	REVISIONS			
P	LTR	DESCRIPTION	DATE	DWN	APVD
HB	-				
E		CHANGE TE LOGO&ADD LINE IDENTIFICATION&TERMINALS CLARIFICATION ECO-12-005305	28-MAR-12	HYS	YBH
F1		REMOVED SEMKO LOGO ECN-21-112550	12-AUG-21	G.R	K.T



PART A

PART B



25±0.5

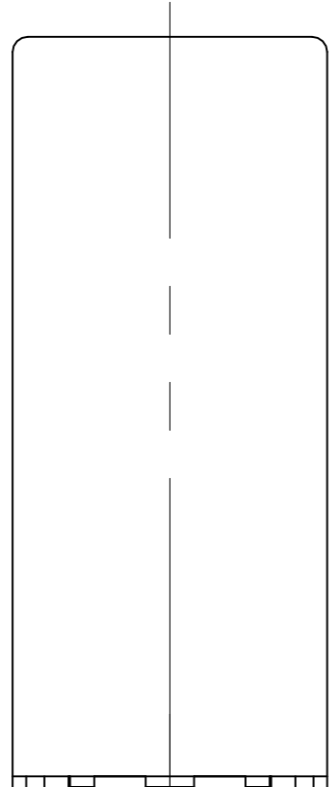
3.8±0.3

0.45

0.3

0.4

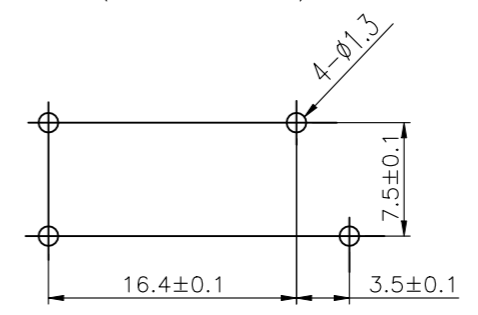
"A"



0.8

0.8

DRILLING DIAGRAM(BOTTOM VIEW)



CONNECTION DIAGRAM

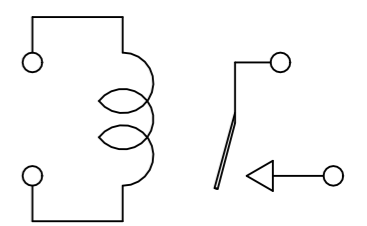
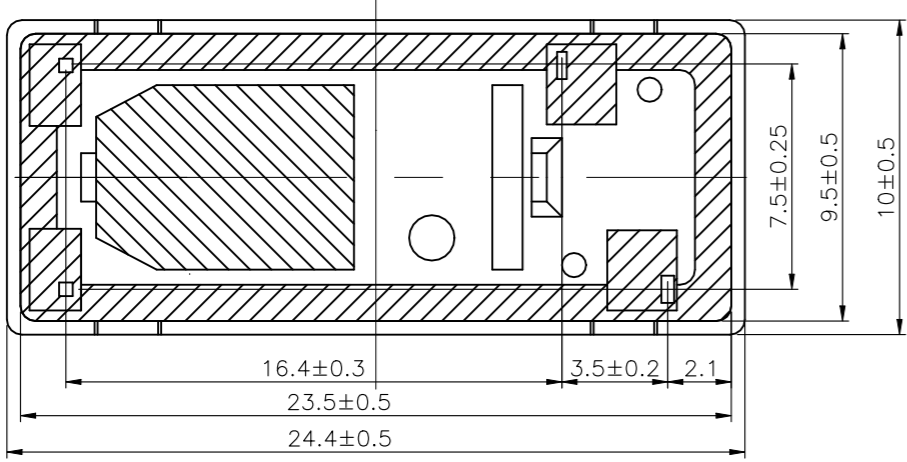


Diagram dimension	Tolerance
max. 1mm	±0.1mm
1 - 3mm	±0.2mm
min. 3mm	±0.3mm

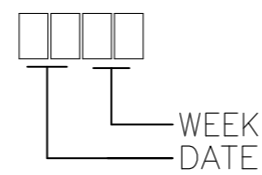


THIS DRAWING IS A CONTROLLED DOCUMENT.		DWN H.SASAKI		STE TE Connectivity	
DIMENSIONS: mm		CHK K.OKADO			
TOLERANCES UNLESS OTHERWISE SPECIFIED:		APVD A.NAGAI		NAME	
0 PLC ± -		PRODUCT SPEC		SDT-SH-DM.000(STANDARD)	
1 PLC ± -		APPLICATION SPEC		CUSTOMER DRAWING	
2 PLC ± -		WEIGHT -		SIZE A3	CAGE CODE 00779
3 PLC ± -		MATERIAL -		DRAWING NO C-1419126-5	
4 PLC ± -		FINISH -		RESTRICTED TO -	
ANGLES ± -		CUSTOMER DRAWING		SCALE 4:1	SHEET 1 OF 2
FINISH -		CUSTOMER DRAWING		REV F1	

THIS DRAWING IS UNPUBLISHED. RELEASED FOR PUBLICATION
 © COPYRIGHT BY TE Connectivity ALL RIGHTS RESERVED.

LOC	DIST	REVISIONS			
P	LTR	DESCRIPTION	DATE	DWN	APVD
HB	—	—	—	—	—
	—	SEE SHEET 1	—	—	—

NOTES:
 1.TERMINAL DIMENSIONS BEFORE SOLDER DIP
 2.LOT NO. SYSTEM AS FOLLOWING:



ⓔ 3.FOR THE TIN-PLATING OF THE PINS: +0.1mm FOR WIDTH, THICKNESS AND DIAMETER
 +0.5mm FOR LENGTH

1-1419126-0	SDT-SH-124DM	107-84016 ⓔ	24V	SDT-SH-124DM	d
2-1419146-6	SDT-SH-118DM	107-84016 ⓔ	18V	SDT-SH-118DM	c
1419126-5	SDT-SH-112DM	107-84016 ⓔ	12V	SDT-SH-112DM	b
1461023-1	SDT-SH-105DM	107-84016 ⓔ	5V	SDT-SH-105DM	a
TE PART NO	TE TYPE NAME	PACKING SPEC	PART B	PART A	TYPE

RELAY TYPE

UV RESIN	RESIN (VENT)	13
EPOXY RESIN	RESIN (CASE)	12
UEW	MAGNETIC WIRE	11
PBT	CASE	10
Cu ALLOY	HINGE SPRING	9
Cu ALLOY	COIL TERMINAL	8
Cu ALLOY	M TERMINAL	7
Cu ALLOY	MOVABLE SPRING	6
PBT	BOBBIN	5
PPS	CARD	4
STEEL	CORE	3
STEEL	ARMATURE	2
STEEL	YOKE	1
MATERIAL	DESCRIPTION	ITEM

THIS DRAWING IS A CONTROLLED DOCUMENT.		DWN H.SASAKI	TE Connectivity		
DIMENSIONS: mm		CHK K.OKADO			
		APVD A.NAGAI	SDT-SH-DM.000(STANDARD) CUSTOMER DRAWING		
TOLERANCES UNLESS OTHERWISE SPECIFIED:		PRODUCT SPEC	RESTRICTED TO		
0 PLC ± -		APPLICATION SPEC	SIZE	CAGE CODE	DRAWING NO
1 PLC ± -		—	A3	00779	C-1419126-5
2 PLC ± -		—	SCALE 4:1 SHEET 2 OF 2 REV F1		
3 PLC ± -		—	CUSTOMER DRAWING		
4 PLC ± -		—			
ANGLES ± -		WEIGHT			
FINISH		—			
MATERIAL		—			