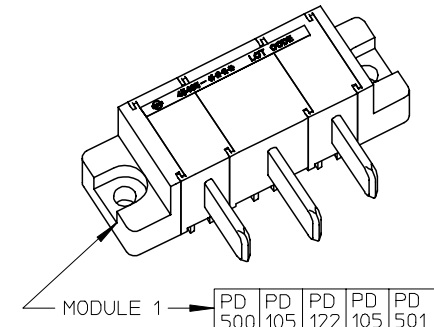
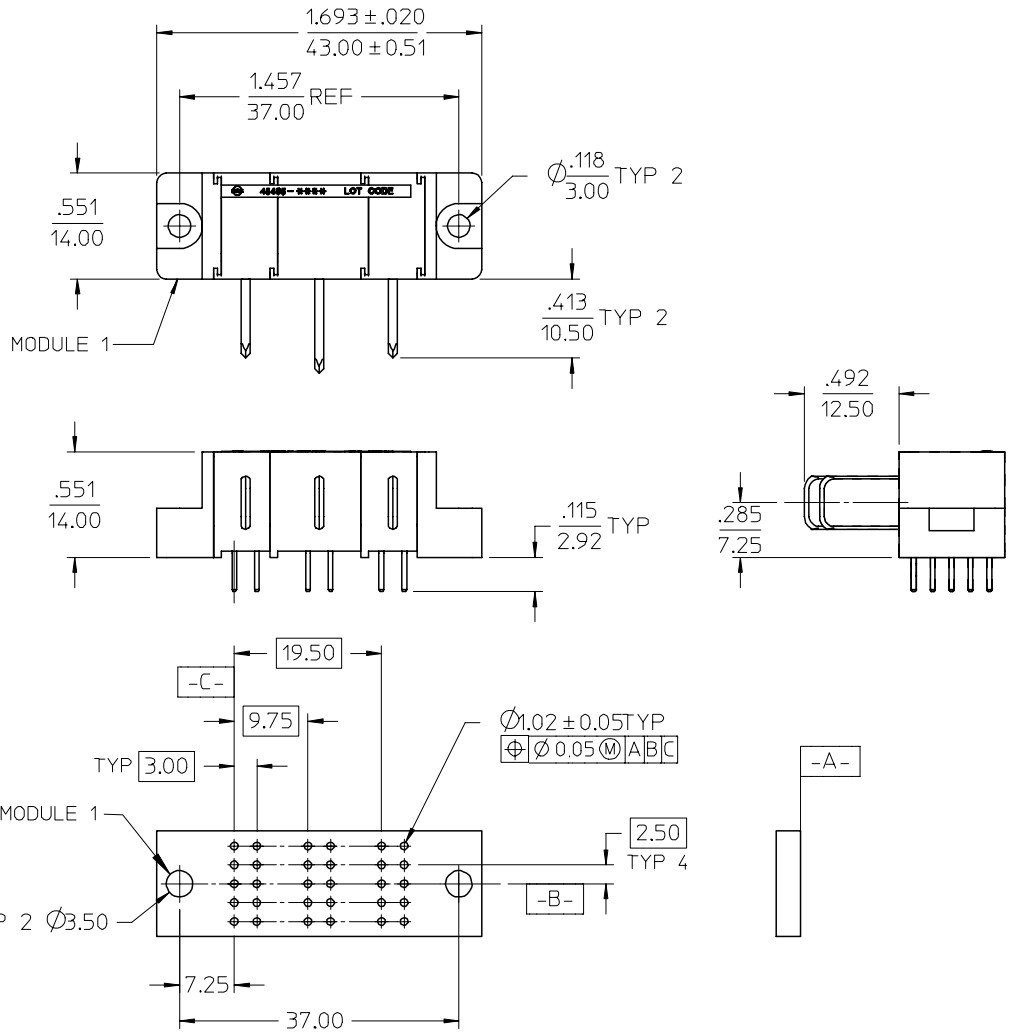


NOTES:

1. MATERIAL: LCP, GLASS FILLED, UL94V-0, BLACK.
CONTACTS: COPPER ALLOY
2. FINISH: SELECT GOLD: 30 MI MIN.
SELECT TIN: 100 MI MIN.
BOTH OVER NICKEL
3. PRODUCT SPECIFICATION: PS-45424-001.
4. PACKAGING SPECIFICATION: PK-45485-001.



PCB LAYOUT: COMPONENT SIDE
PCB THICKNESS: .062/157
PCB TOLERANCE: ±.002/0.05

GEOM TOL PCB	DESCRIPTION
EC NO: UCP2005-2491	
DRWN: ADRA/TND/2005/07/07	
CHKD: KSAMIEC 2005/07/08	
APPR: APATEL 2005/07/19	
B1	REV

GENERAL TOLERANCES (UNLESS SPECIFIED)	
mm	INCH
4 PLACES ± ---	± ---
3 PLACES ± ---	± .010
2 PLACES ± 0.25	± .015
1 PLACE ± 0.38	± ---
ANGULAR ± 1/2°	
DRAFT WHERE APPLICABLE	
MUST REMAIN WITHIN DIMENSIONS	

SCALE	DESIGN UNITS
1:1	METRIC
DIMENSION STYLE	
IN/MM	
DRAWN BY	DATE
SCHAFFER	2004/06/16
CHECKED BY	DATE
SAMIEC	2004/06/16
APPROVED BY	DATE
MARGULIS	2004/06/16

THIRD ANGLE PROJECTION	REVISE ON CAD ONLY			
TITLE	POWER DOCK ASSEMBLY POWER RIGHT ANGLE SOLDER TAIL			
MOLEX	MOLEX INCORPORATED			
MATERIAL NO.	DOCUMENT NO.	SHEET NO.		
45485-0144	SD-45485-144	1 OF 1		
THIS DRAWING CONTAINS INFORMATION THAT IS PROPRIETARY TO MOLEX INCORPORATED AND SHOULD NOT BE USED WITHOUT WRITTEN PERMISSION				