

NOTES:

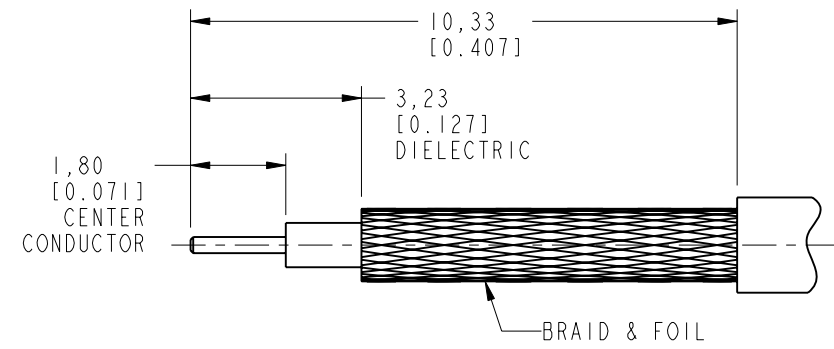
1. MATERIALS AND FINISHES:  
 BODY, BAYONET SLEEVE  
 RETAINING RING & WASHER - BRASS, NICKEL PLATING  
 OUTER CONTACT - BeCu, NICKEL PLATING  
 CONTACT - PHOSPHOR BRONZE, GOLD PLATING  
 BULLET CONTACT - BRASS, GOLD PLATING  
 FERRULE - COPPER, NICKEL PLATING  
 INSULATOR - PTFE, NATURAL  
 SPRING - STAINLESS STEEL, PASSIVATED  
 GASKET - FLUOROSILICONE, BLUE
2. ELECTRICAL:  
 A. IMPEDANCE: 50 OHM  
 B. FREQUENCY RANGE: DC - 6 GHz  
 C. RETURN LOSS : 30dB MIN  
 D. DIELECTRIC WITHSTANDING VOLTAGE: 500 VRMS, MIN.  
 E. INSULATION RESISTANCE: 10,000 MΩ MIN
3. MECHANICAL:  
 A. DURABILITY: 500 CYCLES MIN.  
 B. TEMPERATURE RANGE: -65°C TO +165°C

4. ENVIRONMENTAL:  
 A. THERMAL SHOCK PER MIL-STD-202 METHOD 107  
 TEST CONDITION B (EXCEPT HIGH TEMP @200°C)  
 B. VIBRATION: MIL-STD-202 METHOD 204 TEST CONDITION B  
 C. SHOCK: MIL-STD-202 METHOD 213 TEST CONDITION B  
 D. CORROSION: MIL-STD-202 METHOD 101  
 TEST CONDITION B 5% SALT SOLUTION
5. PACKAGING:  
 A. QUANTITY: SINGLE PACK  
 B. MARKING: BAG TO BE MARKED:  
 "AMPHENOL RF, 34-5011 DATE CODE  
 U.S. PATENT NO. 7,553,177"
6. HIGH DENSITY INSTALLATION/REMOVAL TOOL: 227-T2000
7. CABLE ASSEMBLY INSTRUCTIONS:  
 A. TRIM CABLE AS SHOWN.  
 B. SLIDE FERRULE ONTO THE CABLE.  
 C. SOLDER BULLET CONTACT TO CABLE CENTER CONDUCTOR  
 D. CRIMP FERRULE WITH 0.105" HEX.

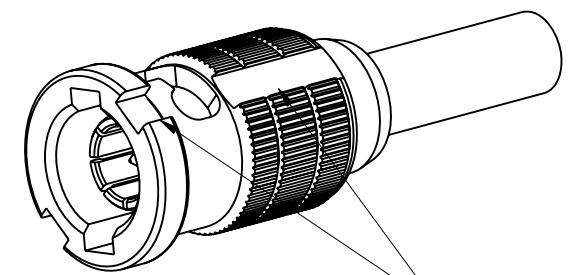
8 SHOWS CABLE ENTRY DIMENSIONS.

THIRD ANGLE PROJ.

REV		DESCRIPTION	DATE	ECO	APPR
A		RELEASE TO MFG.	05-Apr-13	49282	AAP
B		OPTIMIZED CRIMP DESIGN	23-Oct-17	05587	SS/VK
C		UPDATE THE BACK-END DESIGN ON DIAMOND KNURL	26-Feb-18	07068	SS

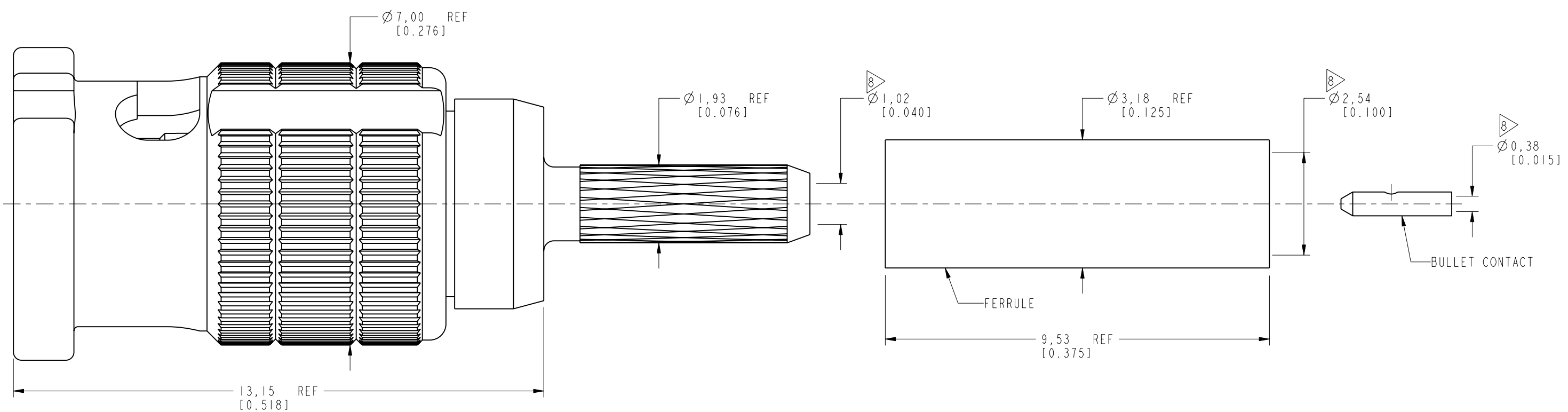


**RECOMMENDED CABLE STRIPPING DIMENSIONS**



STUD LOCATING AND INSTALLATION/REMOVAL TOOL GROOVES

SCALE 3.500



**PROTECTED UNDER U.S. PATENT # 7,553,177**

**CUSTOMER OUTLINE DRAWING**  
 ALL OTHER SHEETS ARE FOR INTERNAL USE ONLY

UNLESS OTHERWISE SPECIFIED, DIMENSIONS ARE IN METRIC AND TOLERANCES ARE: <0.5mm ±0.05mm    0.5 - 6mm ±0.1mm    6 - 30mm ±0.2mm    30 - 120mm ±0.3mm    ANGLES ±1°	MATERIAL SEE NOTES	DRAWN K. SONG	DATE 01-Mar-18	TITLE 50 OHM HD-BNC STR PLUG FOR RG 178 CABLE	Amphenol RF www.amphenolrf.com
	REFERENCE EAR # 4505 & EAR # 7188	ENGINEER A ARUN PRABU	DATE 09-May-11		
NOTICE - These drawings, specifications, or other data (1) are, and remain the property of Amphenol corp. (2) must be returned upon request; and (3) are confidential and not to be disclosed to any person other than those to whom they are given by Amphenol Corp. the finishing of these drawings, specifications, or other data by Amphenol Corp., or to any other person to anyone for any purpose is not to be regarded by implication or otherwise in any manner licensing, granting rights to permitting such holder or any other person to manufacture, use or sell any product, process or design, patented or otherwise, that may in any way be related to or disclosed by said drawings, specifications, or other data.	CONFIGURATION LEVEL: In Work	APPROVED S. HSIEH	DATE 01-Mar-18	SCALE: 10.0:1.0   SHEET 2 OF 2	ITEM NO. 34-5011
	FINISH	CAD FILE	DWG SIZE B	REV C	PART NO. 34-5011