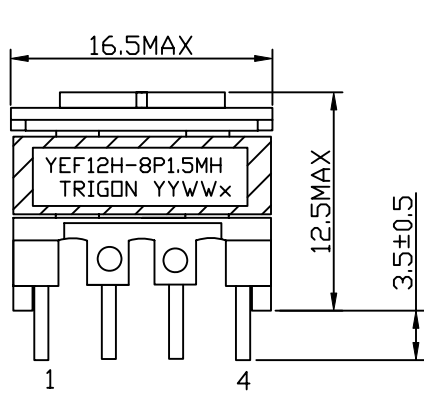
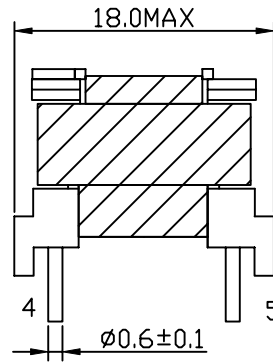


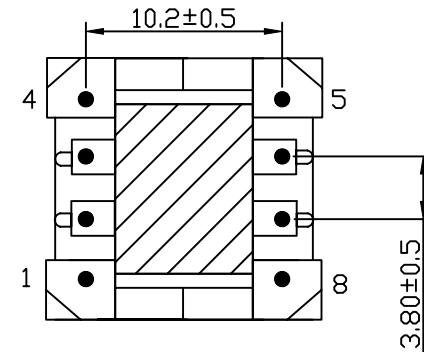
CONFIGURATION & DIMENSIONS:



<SIDE VIEW>



<SIDE VIEW>

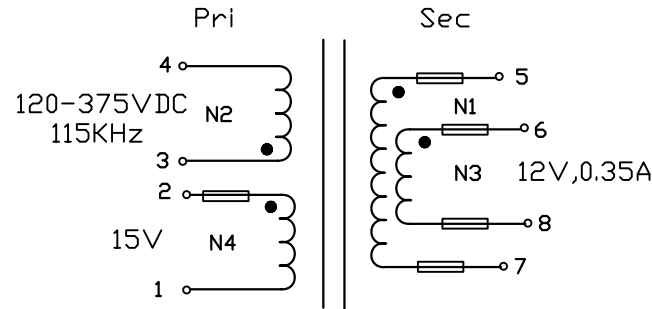


<BOTTOM VIEW>

ELECTRICAL SPECIFICATION:

Inductance: @10KHz/0.1V
 L(3-4)= 1.5mH±10%
 Leakage Inductance: @100KHz/0.1V
 LK(3-4)= 23.4UH MAX(Short other pins)
 DCR:
 (3-4)=4.1Ω Max (2-1)=1.0Ω Max
 (5,6-7,8)=0.14Ω Max
 HI-POT:50Hz/60Hz
 Pri-Sec: 2.0KVAC/5mA/3S
 Turns Ratio:@20KHz/1.0V
 N2:N1/N3=1:0.146±3%
 N2:N4=1:0.184±3%

SCHEMATIC:



"•": START "□": TEFLON TUBE

Note:

- 1.This product is ROHS compliant
- 2.Core fix tape 3Ts

TOL UNLESS NOTED				TITLE: Transformer				PART NO: YEF12H-8P1.5MH			
.X: ±0.40mm				APPROVED BY		CHECKED BY		DRAWN BY		UNIT MM SCALE NONE	
.XX: ±0.25mm				ES		LL		HM		SHEET 1 OF 1	
.XXX: ±0.10mm				01	8-17-2020	HM		TRIGON COMPONENTS, INC. www.trigoncomponents.com			
ANGLE: ±3.0°				REV	DATE	SIGN					