

Customer Information Sheet

DRAWING No.: M22-636XXXXR

IF IN DOUBT - ASK

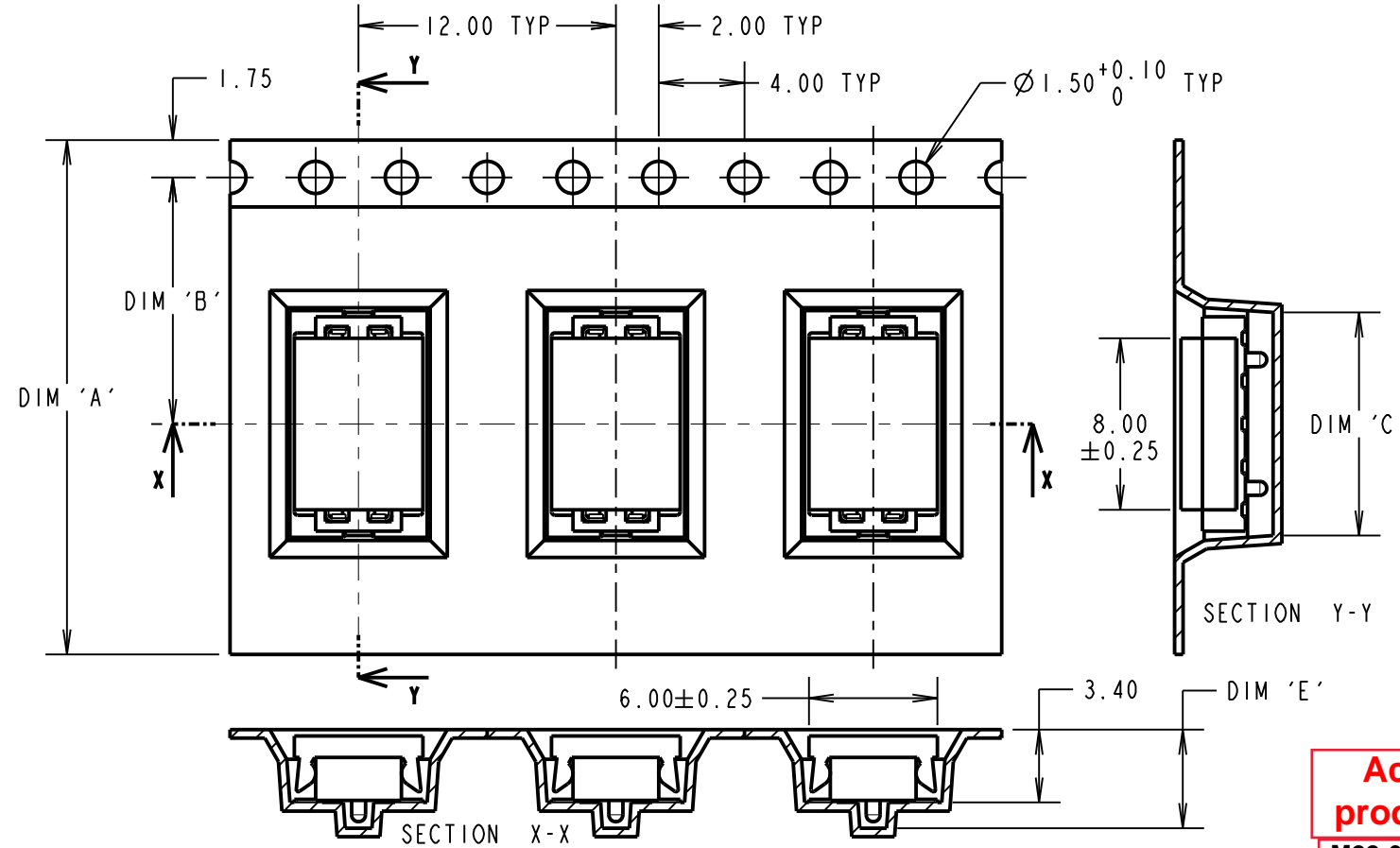
©

NOT TO SCALE

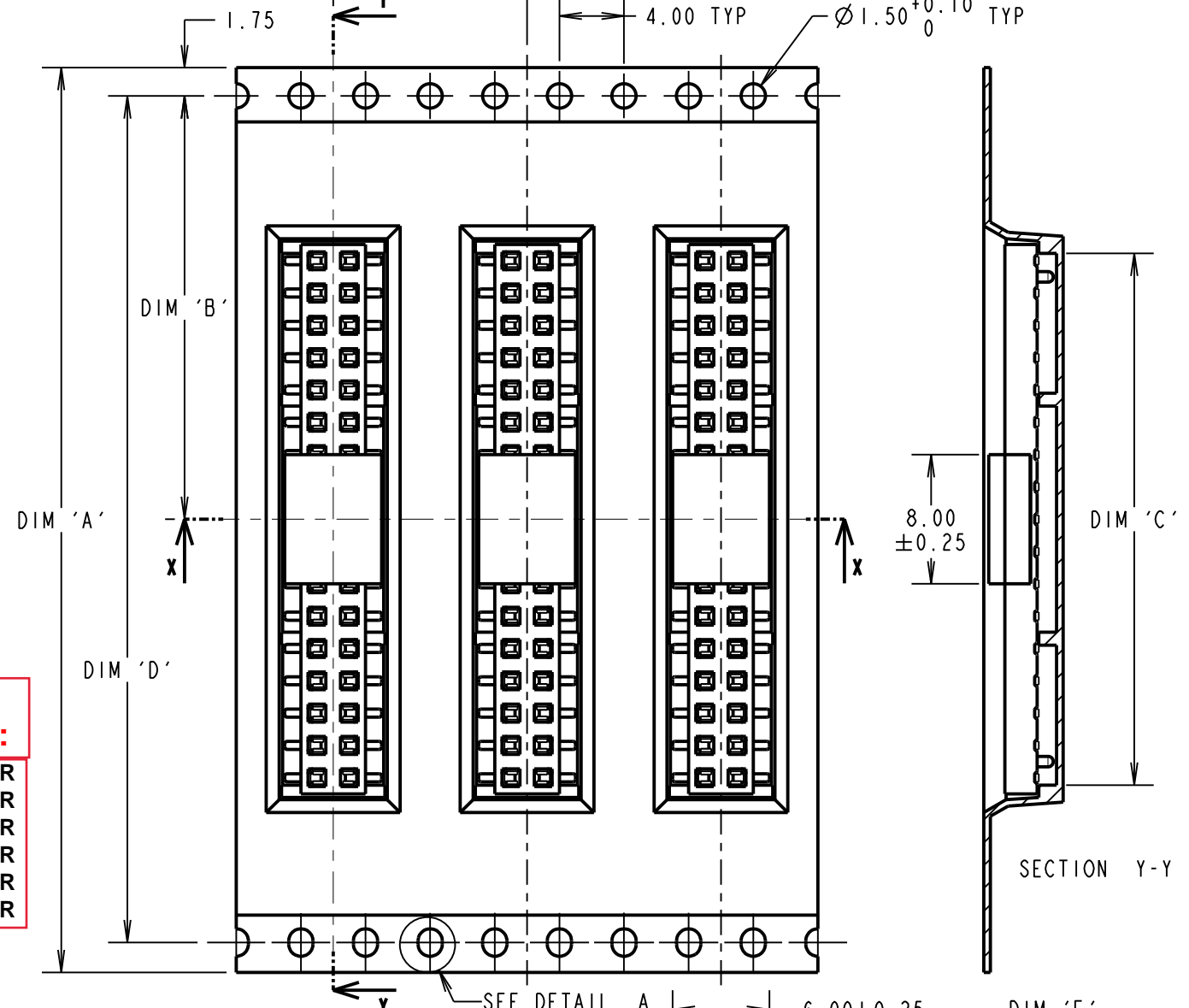
THIRD ANGLE PROJECTION

ALL DIMENSIONS IN mm

TAPE DETAILS FOR 03, 04, 05, 06 AND 07 CONTACTS PER ROW



TAPE DETAILS FOR 10, 12, 17 & 21 CONTACTS PER ROW



Active products:
M22-6360442R
M22-6360542R
M22-6361042R
M22-6361242R
M22-6361742R
M22-6362142R

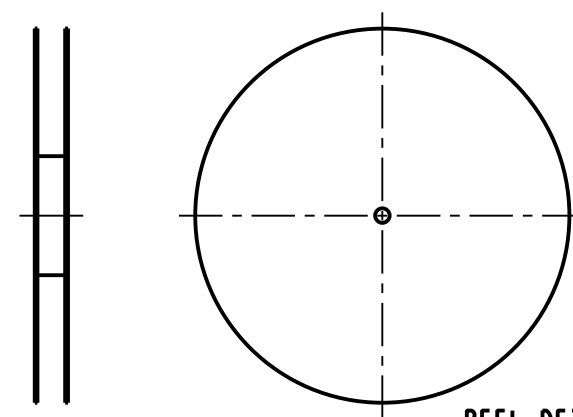
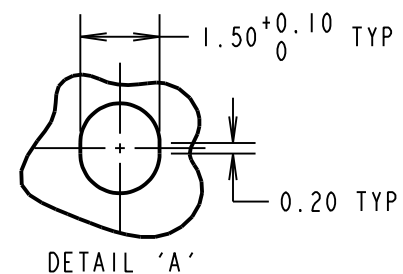
- NOTES:
1. FOR CONNECTOR DETAILS SEE M22-636XXXX.
2. QUANTITY OF COMPONENTS PER REEL = 1200.
3. PICK & PLACE CAP LOCATED CENTRALLY ON COMPONENT.

ORDER CODE: **M22-636XXXXR**

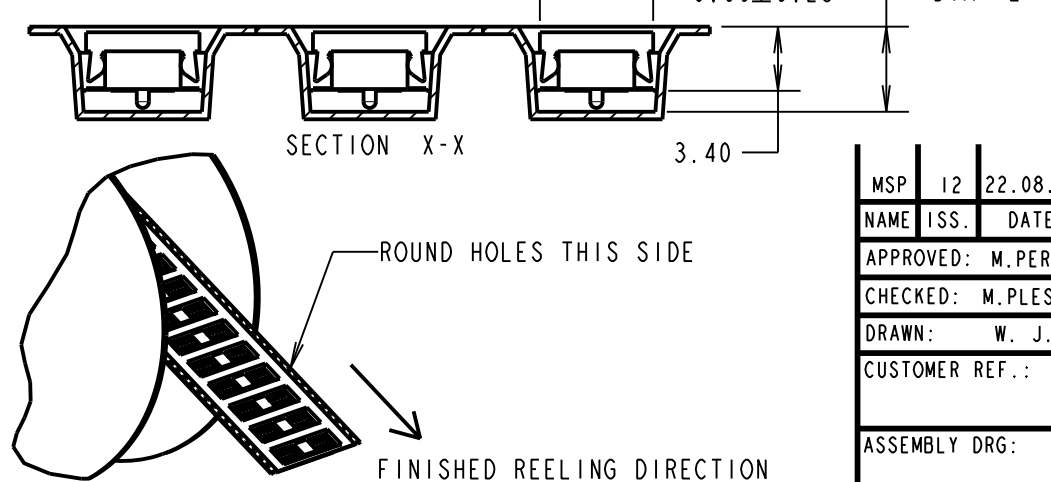
No. OF CONTACTS PER ROW: _____
03, 04, 05, 06, 07,
10, 12, 17, 21

FINISH: _____
42 - SELECTIVE GOLD FLASH & 100% TIN
46 - 100% TIN

OBSOLETE
All other size/finish combinations not listed above



REEL DETAILS



PART No.	DIM 'A'	DIM 'B'	DIM 'C'	DIM 'D'	DIM 'E'
M22-63603XXR	16.00±0.30	7.50	6.40	N/A	4.40
M22-63604XXR			8.40		4.60
M22-63605XXR			10.40		
M22-63606XXR			12.40		4.50
M22-63607XXR	24.00±0.30	11.50	14.40	28.40	4.60
M22-63610XXR			20.40		
M22-63612XXR			24.40		
M22-63617XXR			32.90		4.50
M22-63621XXR	56.00±0.30	26.20±0.15	42.40	52.40	4.60

MSP	12	22.08.17	20730
NAME	ISS.	DATE	C/NOTE
APPROVED: M.PERREN			
CHECKED: M.PLESTED			
DRAWN: W. J. BOURNE			
CUSTOMER REF.:			
ASSEMBLY DRG:			

HARWIN
www.harwin.com
technical@harwin.com

THIS DRAWING AND ANY INFORMATION OR DESCRIPTIVE MATTER SET OUT HEREON ARE CONFIDENTIAL AND COPYRIGHT PROPERTY OF THE HARWIN GROUP AND MUST NOT BE DISCLOSED, LOANED, COPIED OR USED FOR MANUFACTURING, TENDERING OR FOR ANY OTHER PURPOSE WITHOUT THEIR WRITTEN PERMISSION.

TOLERANCES
X. = ±1mm
X.X = ±0.50mm
X.XX = ±0.10mm
X.XXX = ±0.01mm
ANGLES = ±5°
UNLESS STATED

MATERIAL: SEE NOTE 1
FINISH: SEE NOTE 1
S/AREA: mm²

TITLE: 2mm PITCH DIL SMT VERTICAL LOW-PROFILE SOCKET (TAPE AND REEL)
DRAWING NUMBER: **M22-636XXXXR**
SHT 2 OF 2