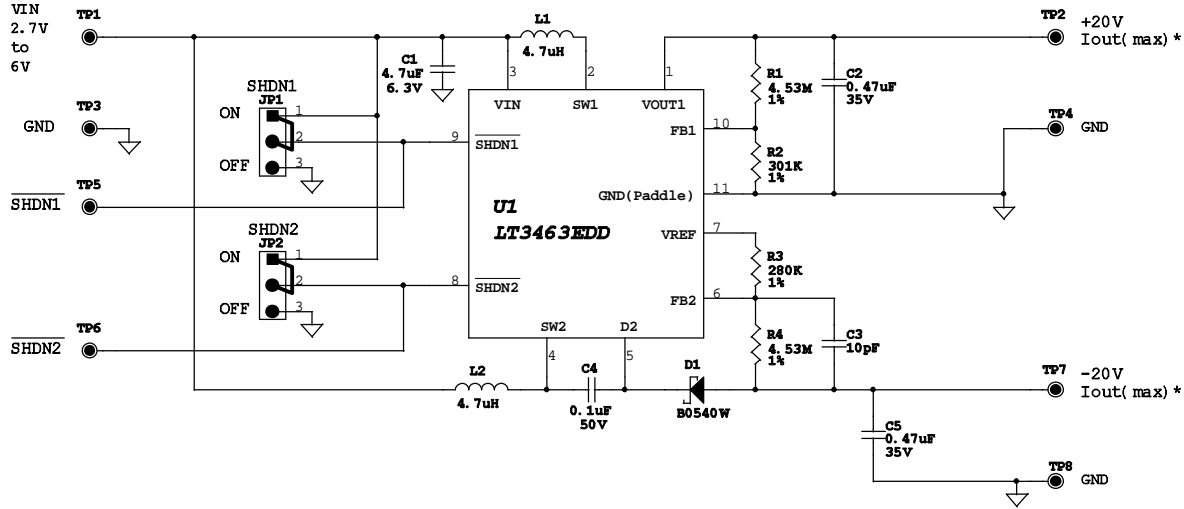


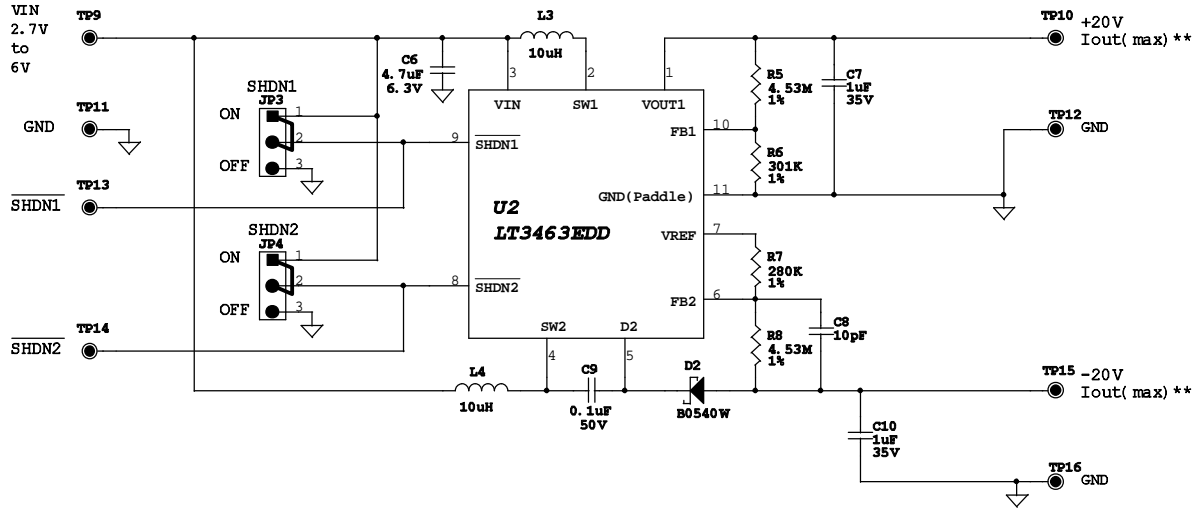
**"SMALL SIZE" CIRCUIT**



This circuit is proprietary to Linear Technology and supplied for use with Linear Technology parts.  
**Customer Notice:** Linear Technology has made a best effort to design a circuit that meets customer-supplied specifications; however, it remains the customers responsibility to verify proper and reliable operation in the actual application. Component substitution and printed circuit board layout may significantly affect circuit performance or reliability. Contact Linear Applications Engineering for assistance.

VIN	* Iout(max) +20V and -20V
2.7V	5mA
3.6V	7mA
5.0V	9mA

**"HIGH PERFORMANCE" CIRCUIT**



VIN	** Iout(max) +20V and -20V
2.7V	7mA
3.6V	9mA
5.0V	13mA

1630 McCarthy Blvd., Milpitas, CA  
**Linear Technology Corp.** 98035-7417  
 Phone: (408)432-1900 Fax: (408)434-0507

Title: **Dual Output Converter +/- 20V**

Size	Document Number	Rev
	<b>Demo Circuit 679</b>	<b>A</b>

Date: Thursday, January 29, 2004 Sheet 1 of 1