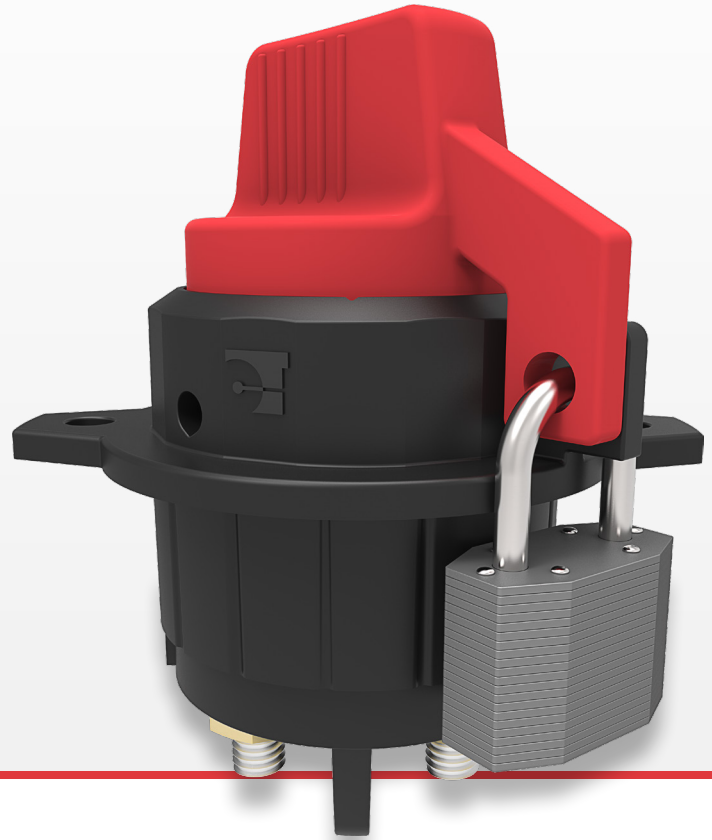


BD-Series

Battery Disconnect Power Switch

PRODUCT WEBPAGE

request sample, configure part, watch video



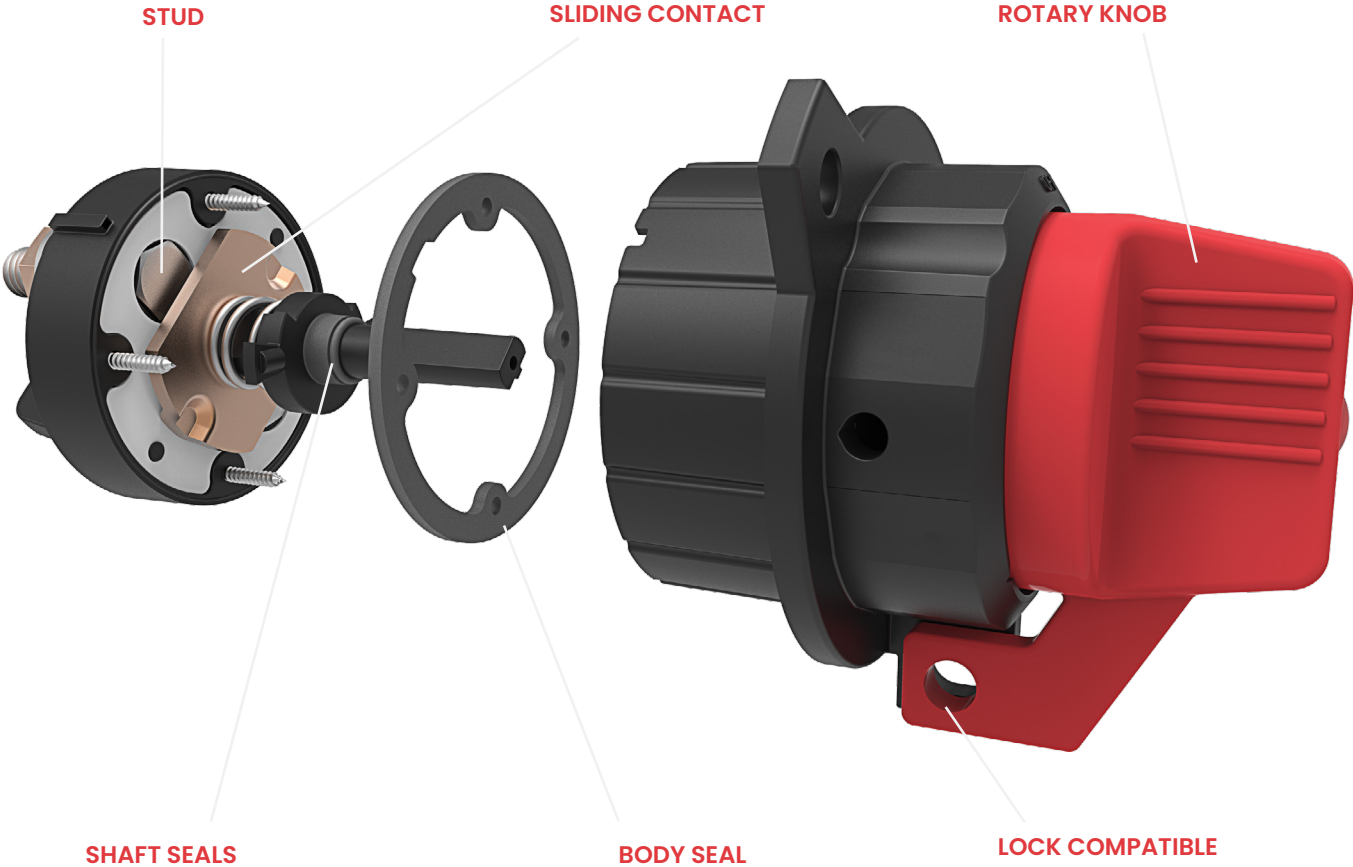
The BD-Series battery disconnect switch is designed to minimize battery drain, ensure maintenance personnel safety, and when used in conjunction with a padlock, provides vehicle theft protection.

1 **100-300** **12-24** **IP67 Sealing**
Pole Amps VDC Above-Panel

Typical Applications

- On/Off-Highway Equipment
- Military
- Marine

Design Features



Tech Specs

Electrical

Application Voltage	DC Rated voltage: 12VDC / 24VDC Range of operating voltage: 12VDC: min 9VDC, max 16VDC; 24VDC: min 18VDC, max 32VDC
Current Ratings	12VDC/24VDC: rated 100A, max 300A (M10 Studs); 12VDC/24VDC: rated 300A (M14 Studs)
Intermittent Current	24VDC/1500A, 3 seconds on, 60 seconds off, 10 cycles: voltage drop should not exceed 400mV between main terminals. 28V/1500A/30 seconds: voltage drop should not exceed 400mV 28V/2000A/5 seconds followed by 28V/750A/30 seconds followed by 28V/250A/24 hours: voltage drop should not exceed 100mV
Dielectric Strength	50HZ, 550VAC for 1 minute between electrically / isolated terminals in main circuit; between terminals of main circuit, knob and enclosure.
Insulation Resistance	Minimum of 100 Megohms 1 min @ 500VDC
Temperature Rise	Terminal should not exceed 60°C above ambient.
Endurance	For M10 Studs: 2 seconds ON and 2 seconds OFF per operation, load with rated current & voltage. 12V test @14V±0.1V; 24V test @28V±0.2V. 50,000 cycles: 100A current; 20,000 cycles: 200A current; 3,000 cycles: 250A current 2 seconds ON and 6 seconds OFF per operation, load with rated current & voltage. 12V test @14V±0.1V; 24V test @28V±0.2V 3,000 cycles: 300A current For M14 Studs: 2 seconds ON and 6 seconds OFF per operation, load with rated current & voltage. 12V test @14V±0.1V; 24V test @28V±0.2V 3,000 cycles: 300A current

Mechanical

Handling Shock	Fully functional after 3 drops from 1000 mm height. Surface damage may occur.
----------------	---

Environmental

Operating Temp.	-40 °C to +85 °C.
Moisture Resistance	IEC 60068-2-38 or G/T 2423.34, Test Z/AD: Composite temperature/humidity cycle test, ten 24-hour cycles @ -10°C to +65°C, ≤80-96% RH.
Thermal Cycling	IEC 60068-2-14 or GB/T 2423.22, Test Nb, 25 Cycles -40°C to +85°C
Thermal Shock	IEC 60068-2-14 or GB/T 2423.22, Test Na (5 cycles @ -55°C to +25°C to +85°C to +25°C)
Thermal Resistance	IEC 60068-2-1 or GB/T 2423.1 Cold: Test A, operate 8 hours @ -40°C IEC 60068-2-2 or GB/T 2423.2 Heat: Test B, operate 8 hours @ +85°C
Vibration	IEC 60068-2-34 or GB/ T 2423.11,10- 500 Hz, Random vibration test for 8 hours in each of the 3 mutually perpendicular axes. 25Gs @ Z axes, 12.5Gs @ X/Y axes. powered.
Salt Spray	IEC 60068-2-11 or GB/T 2423.17, 48 hours
Fire and Smoke	IEC 60695-11-10 or GB/T 2408, HB
Dust / Waterproof	IP67, for above and below-panel components of actual switch only
Chemical Splash	Gasoline, Diesel, Motor Oil, Brake Fluid, Ammonia, Armor All
UV Protection	ASTM G155-05a, cycle 11,300 hr Xenon Arc, 1.4W / (m ² Nm), wavelength 420 Nm

Physical

Number of Poles	1 pole
Wiring Terminals	Line / Load terminal: M10 brass nuts Torque value: M10 (6-8 Nm); M14 (10-14 Nm)
Mounting	M8 Iron nut, torque value: (10-15 Nm)
Torque Operation	1.0-3.0 Nm
Body Color	Black
Actuator Color	Handle color optional, with white color "Arrow" legends.
Weight	(M10 Studs): 340±10 g / set; (M14 Studs): 385±10 g / set
Material	Base (PBT glass filled), Bracket & Knob (nylon glass filled), Studs (Copper + Tin plating), Nuts (Brass)

Ordering Scheme

Sample Part Number **BD A 10 - R A**

Selection 1 2 3 4 5

1. SERIES

BD Battery Disconnect Power Switch

2. RATING / CYCLES

A 100A @ 24VDC: 50,000 Cycles
 200A @ 24VDC: 20,000 Cycles
 250A @ 24VDC: 3,000 Cycles
B 300A @ 24VDC: 3,000 Cycles

Note: Refer to General Specifications for test parameters.

Notes:
 1 Only available with code B from box 2.

[Configure Complete Part Number >](#)

[Browse Standard Parts >](#)

3. TERMINATION

10 M10 Stud
14¹ M14 Stud

4. KNOB COLOR

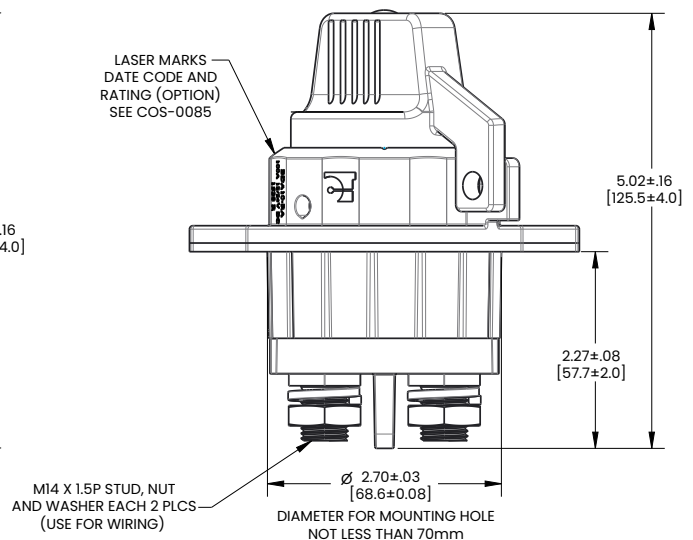
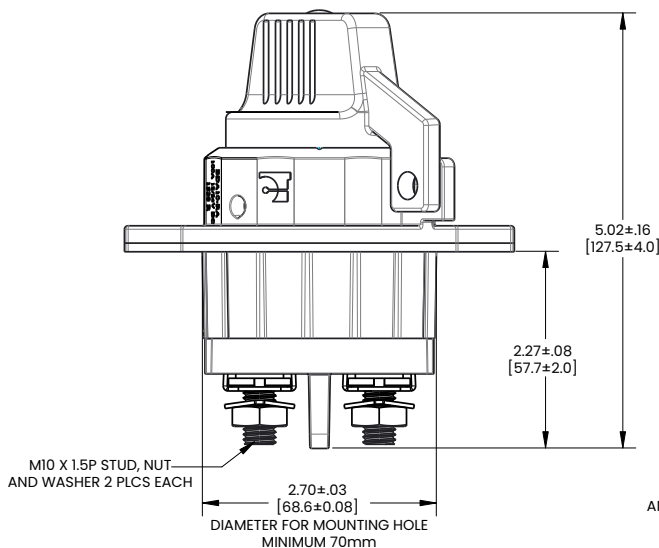
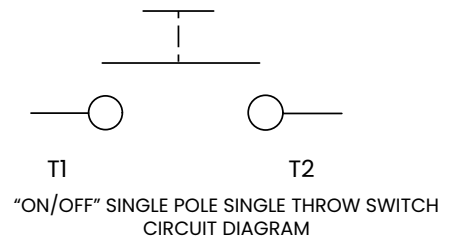
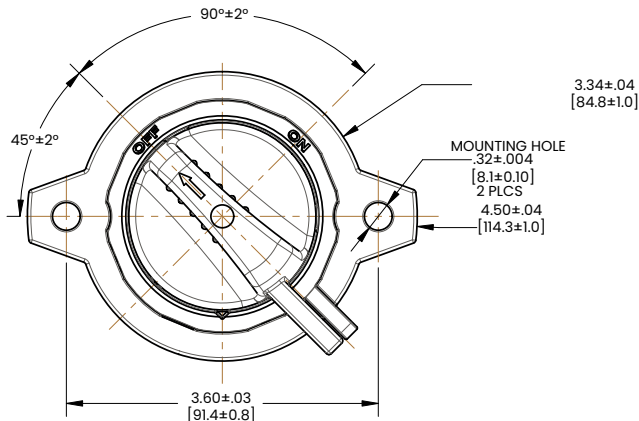
R Red
Y Yellow
B Black

5. LEGEND

A Arrow Legend, White Color

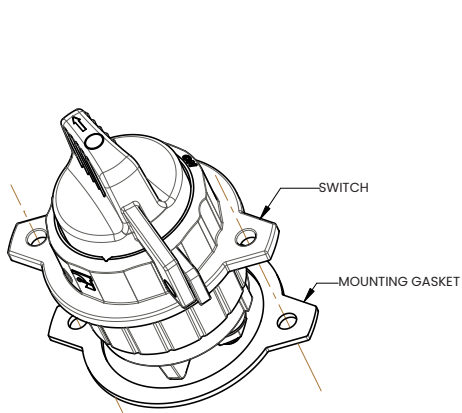
Dimensional Specs

inches [millimeters]

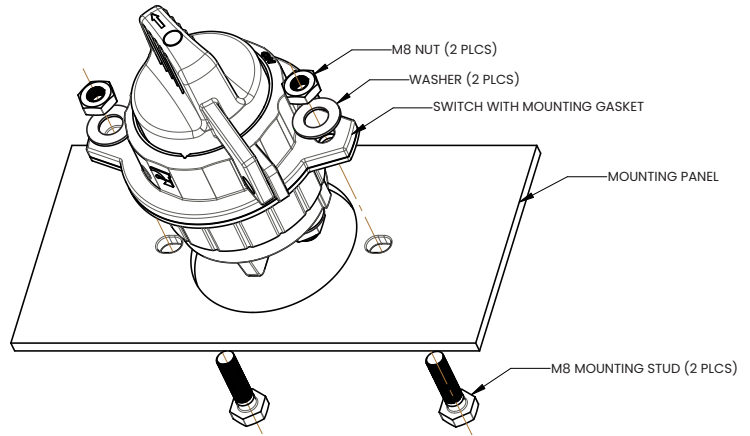


Mounting Method 1

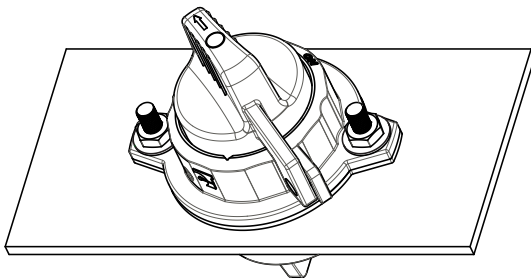
inches [millimeters]



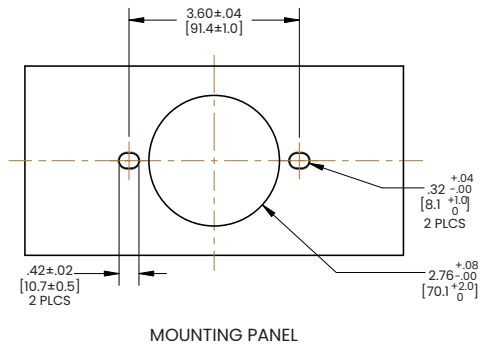
MOUNTING STEP 1: ATTACH MOUNTING GASKET WITH THE SWITCH ORIENTATION AS SHOWN



MOUNTING STEP 2: ORIENT AS SHOWN AND INSTALL THE SWITCH IN MOUNT PANEL HOLE; THEN INSERT STUDS AND WASHERS



MOUNTING STEP 3: TIGHTEN 2PLCS M8 NUTS (REC. TORQUE [10-5Nm])



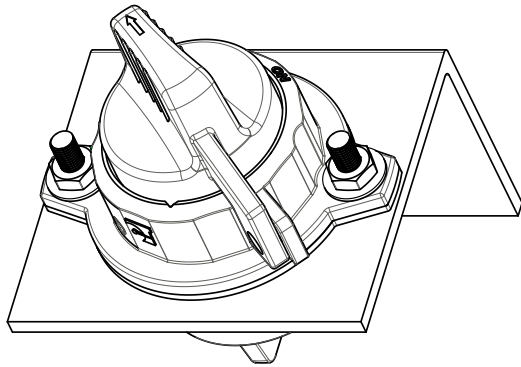
MOUNTING PANEL

Notes:

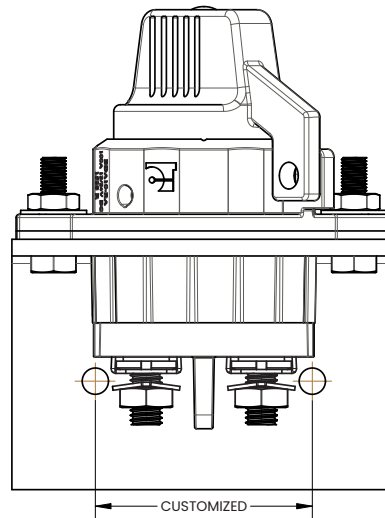
- 1 Switch can be mounted horizontally or vertically.

Mounting Method 2

inches [millimeters]



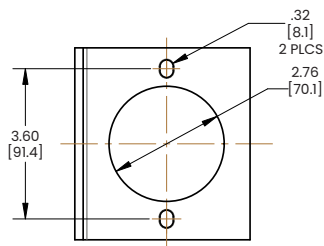
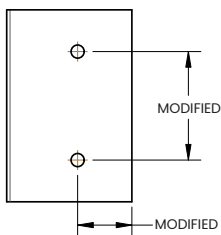
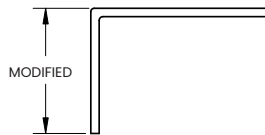
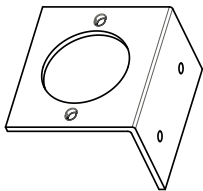
MOUNTING STEP 1: INSTALL SWITCH WITH MOUNTING BRACKET ORIENTATION AS SHOWN



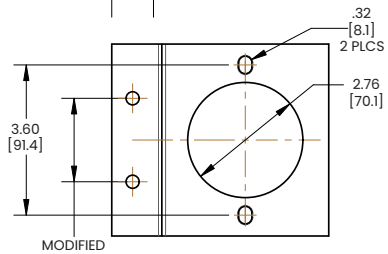
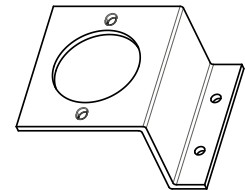
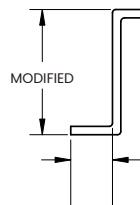
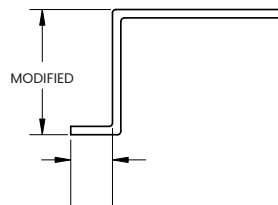
MOUNTING BRACKET CAN BE MODIFIED AS BELOW

MOUNTING STEP 2: ORIENT AS SHOWN AND INSTALL THE SWITCH IN CUSTOMER PANEL.

"L" SHAPED MOUNTING BRACKET



"Z" SHAPED MOUNTING BRACKET

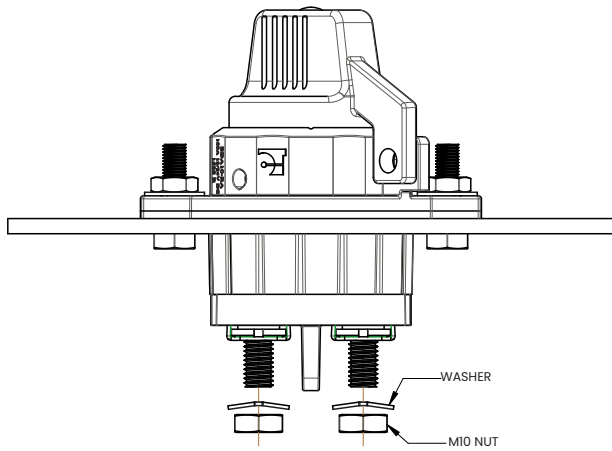


Notes:

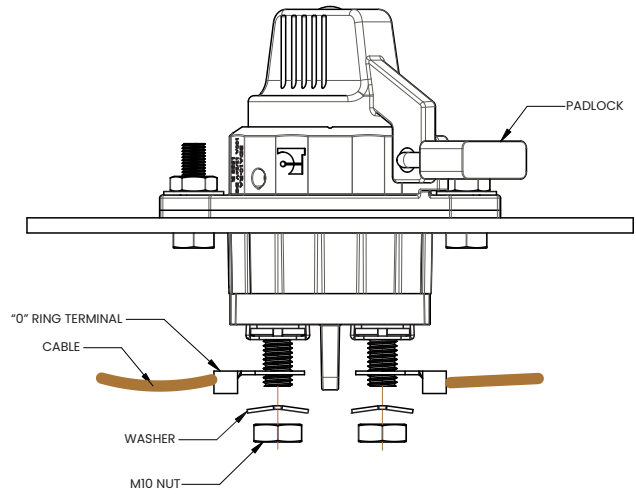
- 1 Switch can be mounted horizontally or vertically.

Wiring

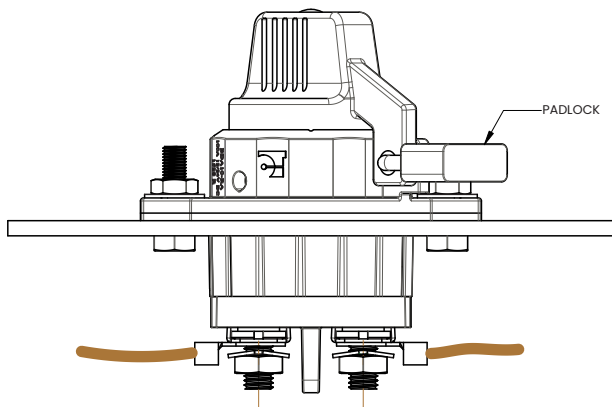
inches [millimeters]



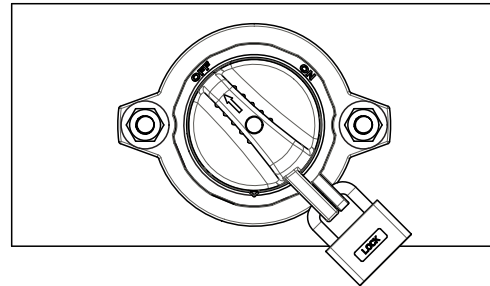
WIRING 1: DISCONNECT WASHERS AND NUTS



WIRING 2: ATTACH 2PLCS M10 "O" RING TERMINALS AS SHOWN, THEN RE-FASTEN WASHERS AND NUTS



WIRING 3: TIGHTEN 2PCS BRASS M10 NUTS (REC. TORQUE [6-8NM])



WHEN USED IN CONJUNCTION WITH A PAD LOCK, SWITCH CAN LOCKED IN THE "OFF" POSITION AS A SAFETY MEASURE

Authorized Sales Representatives and Distributors

Click on a region of the map below to find your local representatives and distributors or visit www.carlingtech.com/findarep.



About Carling

Founded in 1920, Carling Technologies is a leading manufacturer of electrical and electronic switches and assemblies, circuit breakers, electronic controls, power distribution units, and multiplexed power distribution systems. With six ISO9001 and IATF16949 registered manufacturing facilities and technical sales offices worldwide, Carling Technologies Sales, Service and Engineering teams do much more than manufacture electrical components, they engineer powerful solutions! To learn more about Carling please visit www.carlingtech.com/company-profile.

To view all of Carling's environmental, quality, health & safety certifications please visit www.carlingtech.com/environmental-certifications.

© Carling Technologies, Inc.

8. Carling is a registered trademark of Carling Technologies, Inc. in the U.S. and other countries.