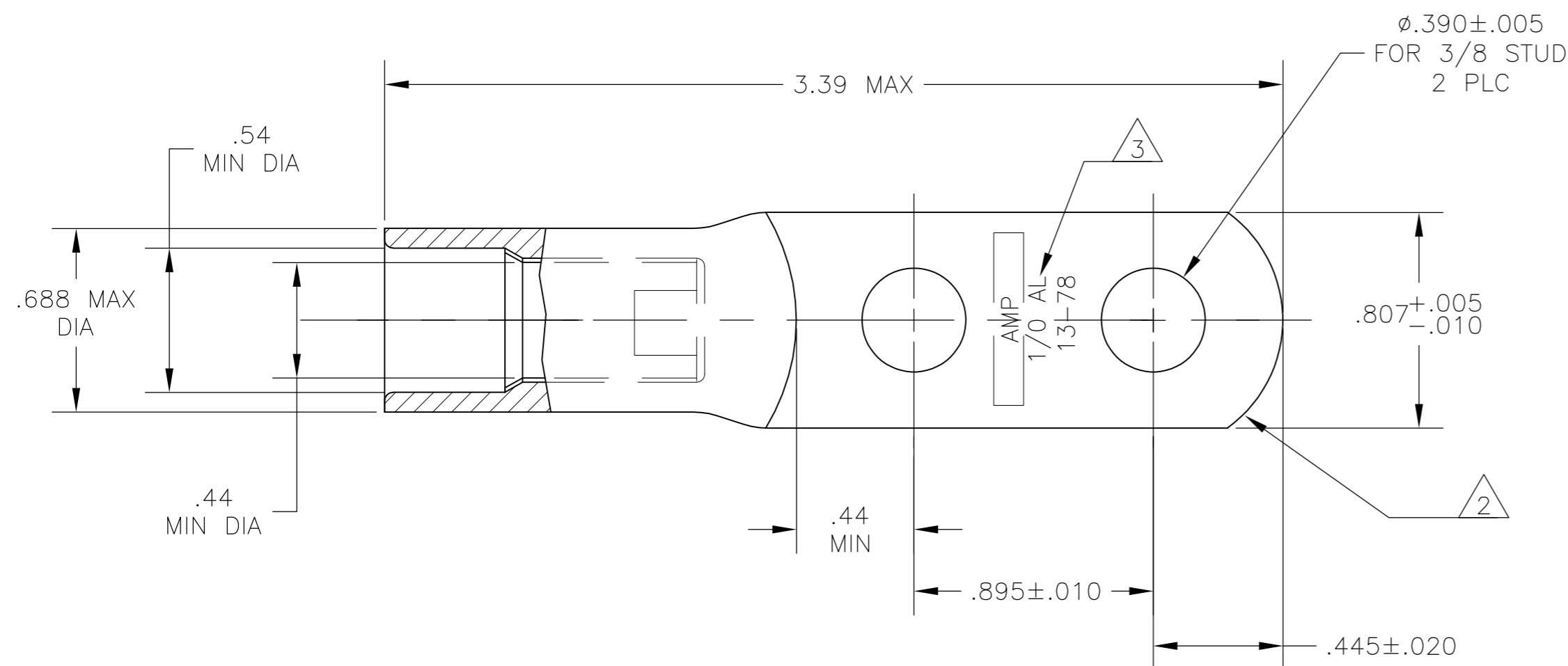
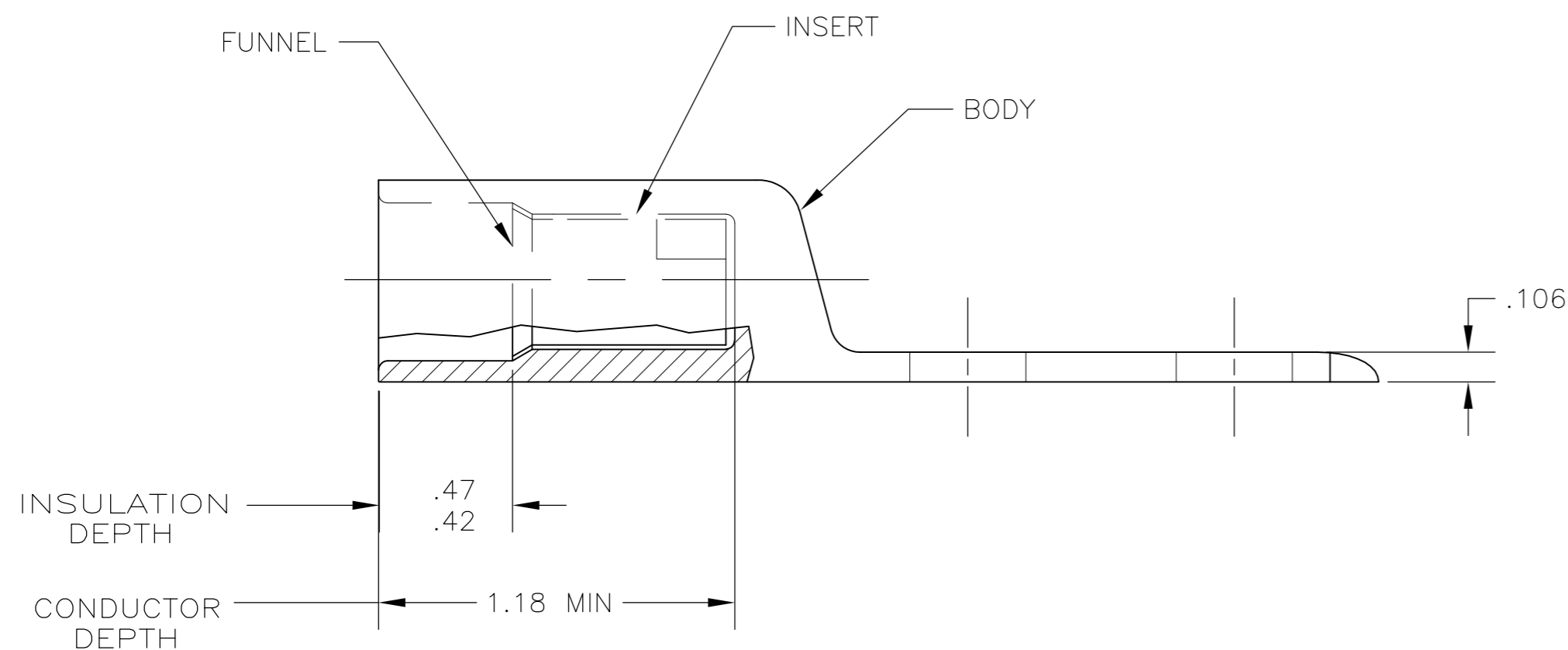


THIS DRAWING IS UNPUBLISHED. RELEASED FOR PUBLICATION
 © COPYRIGHT - TE Connectivity ALL RIGHTS RESERVED.

REVISIONS				
P	LTR	DESCRIPTION	DATE	APVD
A		REV PER ECO 17-015037	10-17-17	CT PD



- 1 WIRE INSULATION: .437-.513 DIA
- 2 THE TONGUE RADIUS FEATURE IS NOT A TOOLING CONTROLLED DIMENSION AND MAY NOT BE A TRUE RADIUS.
- 3 STAMP "AMP 1/0 AL 13-78" SIZE AND LOCATION APPROX AS SHOWN



<u>INSERT & FUNNEL:</u> BRASS MIL-C-50 NICKEL PL QQ-N-290 .000300 AVG THK	696957-1
<u>BODY:</u> COPPER ASTM-B187 ANNEALED TIN PL PER ASTM B-545 .000150 MIN THK	
MATERIAL & FINISH	PART NO.

THIS DRAWING IS A CONTROLLED DOCUMENT.		DWN	JR RUTH	09MAY06		TE Connectivity							
DIMENSIONS: INCHES		CHK	MJ SPICER	09MAY06		NAME							
TOLERANCES UNLESS OTHERWISE SPECIFIED:		APVD	MJ SPICER	09MAY06		PRODUCT SPEC							
0 PLC ± - 1 PLC ± - 2 PLC ± - 3 PLC ± .008 4 PLC ± - ANGLES ± -		APPLICATION SPEC		WIRE TERMINAL, RING TONGUE SEALED COPALUM, 2 HOLE WIRE SIZE: 1/0 ALUMINUM									
MATERIAL SEE TABLE		FINISH SEE TABLE		WEIGHT	0.000000	SIZE	A2	CAGE CODE	00779	DRAWING NO.	C=696957	RESTRICTED TO	-
CUSTOMER DRAWING				SCALE	2:1	SHEET	1 of 1	REV	A				