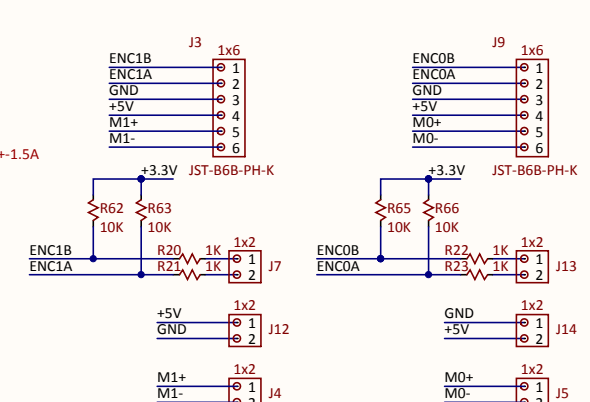
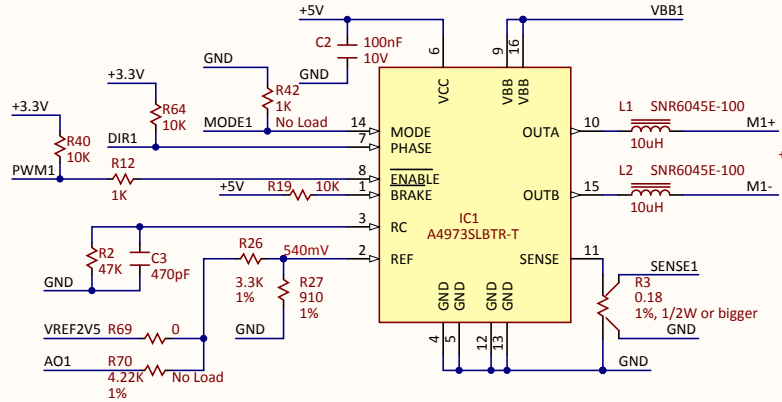
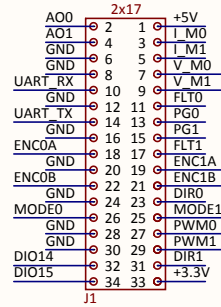
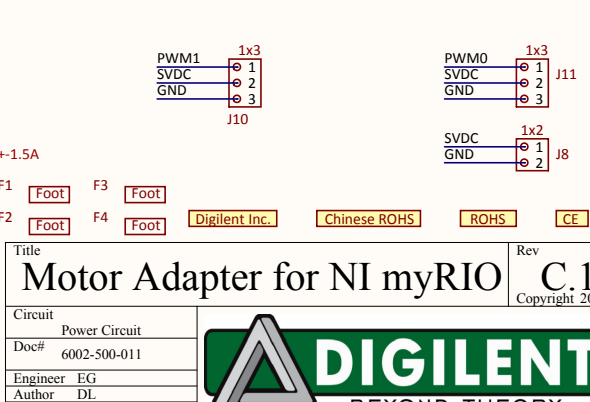
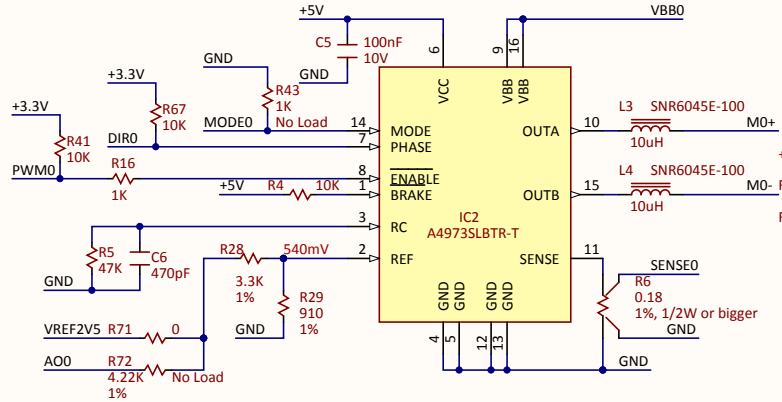
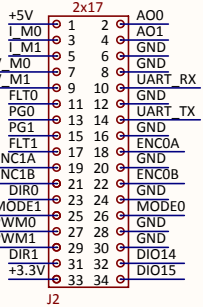


myRIO MXP Connector
SFH11-PBPC-D17-RA-BK



Probe Connector

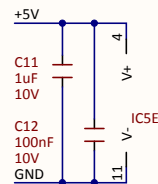
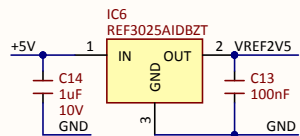
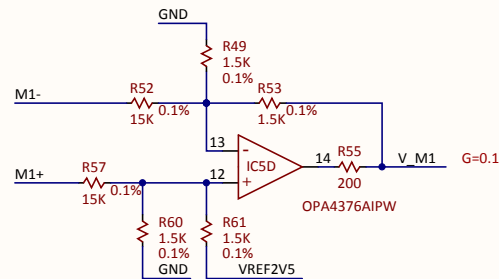
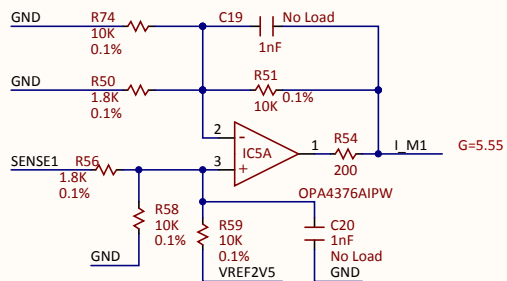
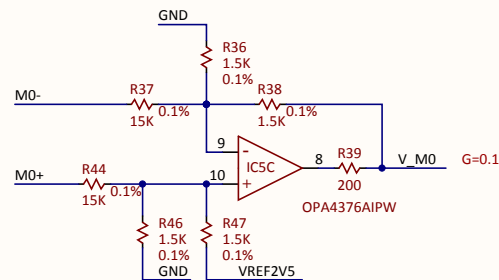
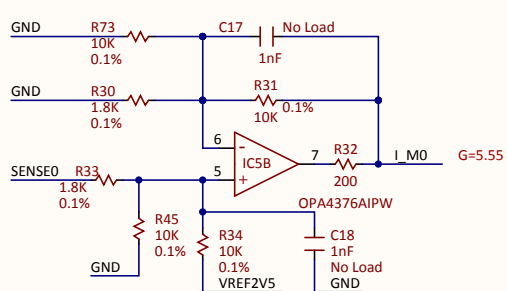


Title		Motor Adapter for NI myRIO		Rev	C.1
Circuit		Power Circuit		Copyright 2014	
Doc#	6002-500-011				
Engineer	EG				
Author	DL				
Date	11/24/2014				
Sheet#	1 of 2				

Foot F3 Foot F4

Foot F3 Foot F4

Digilent Inc. Chinese ROHS ROHS CE



Title		Rev
Motor Adapter for NI myRIO		C.1
Current sense, voltage amplifier		Copyright 2014
Circuit		
Doc#	6002-500-011	
Engineer	EG	
Author	DL	
Date	11/24/2014	
Sheet#	2 out of 2	