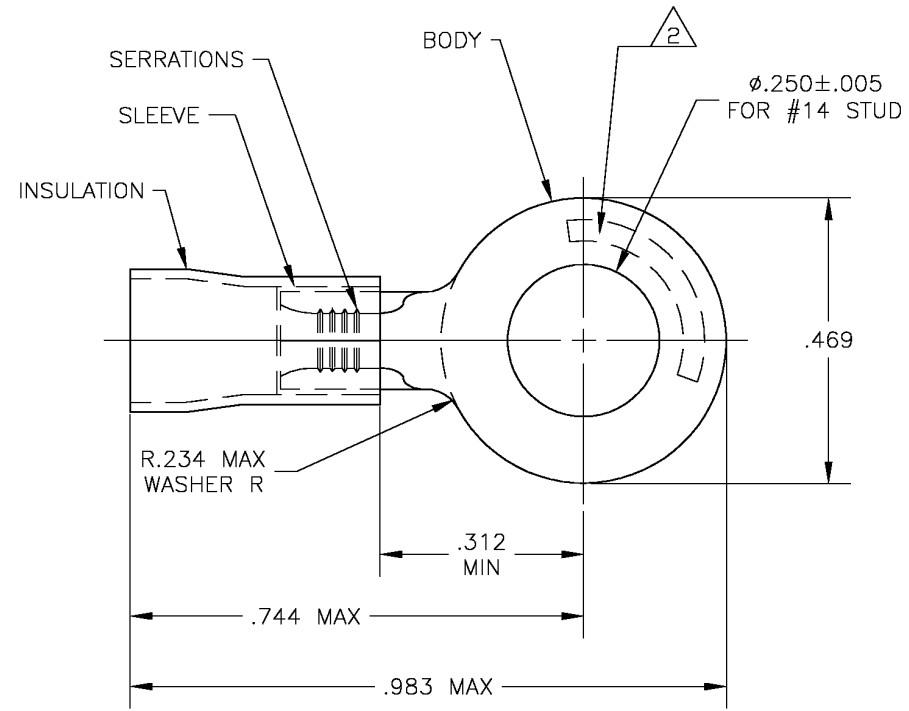


THIS DRAWING IS UNPUBLISHED. RELEASED FOR PUBLICATION
 © COPYRIGHT BY TYCO ELECTRONICS CORPORATION. ALL RIGHTS RESERVED.

LOC	DIST	REVISIONS			
P	LTR	DESCRIPTION	DATE	DWN	APVD
G	14	F	REDRAWN PER 0G3A-0614-03	03OCT03	JR MS



- 1 TONGUE THK IS .040±.002
- 2 STAMP "AMP 20-16 HD*" LOCATED ON BOTTOM, APPROX AS SHOWN
- 3 BODY: COPPER PER ASTM B152
 TIN PLATE ASTM B545
 SLEEVE: COPPER PER ASTM B152
 TIN PLATE ASTM B545
 INSULATION: PVC, COLOR - GREEN
- 4 FOR .115 TO .170 WIRE INSULATION DIA.

OBSOLETE	2-36273-1	36273-0
	PART # ON TAPE	PART NO

THIS DRAWING IS A CONTROLLED DOCUMENT.		DWN	jr ruth	03OCT03	tyco Electronics	Tyco Electronics Corporation	
DIMENSIONS: INCHES		CHK	MJ SPICER	03OCT03		Harrisburg, PA 17105	
TOLERANCES UNLESS OTHERWISE SPECIFIED:		APVD	MJ SPICER	03OCT03	NAME		
0 PLC ± -	1 PLC ± -	PRODUCT SPEC		TERMINAL, PLASTI-BOND,			
2 PLC ± -	3 PLC ± .008	APPLICATION SPEC		RING TONGUE,			
4 PLC ± -	ANGLES ± 5'	WEIGHT		SIZE	CAGE CODE	DRAWING NO	RESTRICTED TO
MATERIAL - 3	FINISH - 3	CUSTOMER DRAWING		A3	00779	C=36273	-
				SCALE	5:1	SHEET	1 OF 1
				REV	F		

AMP 1470-19 REV 31MAR2000

C:\ENGapps\TECacad\4.0\bin\