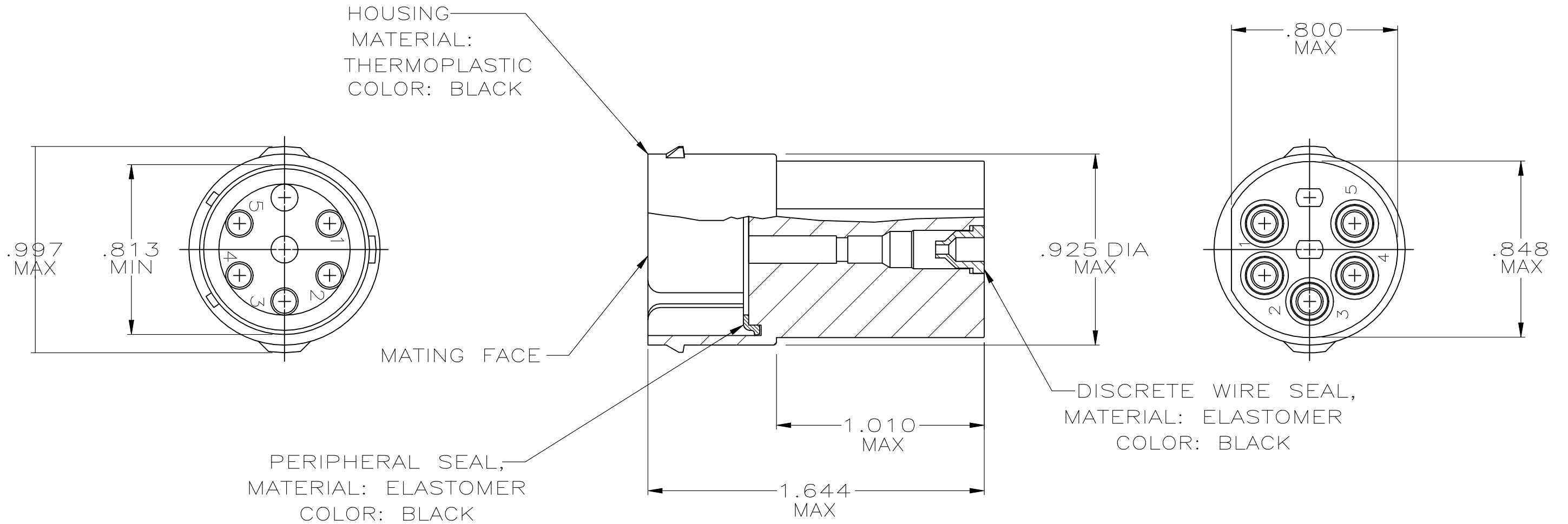


REVISIONS					
P	LTR	DESCRIPTION	DATE	DWN	APVD
	G	PER PCN E-20-018081	10MAR2021	SCK	



1. WIRE INSULATION SEALING RANGE: .070—.130 DIA.
2. THIN MEMBRANE PERMISSABLE ON SMALL DIAMETER OF WIRE SEALS.
3. ROTATION OF CAVITY CIRCUIT KEY FROM PART TO PART IS PERMISSIBLE.

NO	207848-2
YES	207848-1
SEALS	PART NO

THIS DRAWING IS A CONTROLLED DOCUMENT.		DWN A.STAUB BG 8/2/90	TE Connectivity RECEPTACLE, 5 POSITION, STD ECONOSEAL CONNECTOR		
DIMENSIONS: INCHES		CHK -			
TOLERANCES UNLESS OTHERWISE SPECIFIED:		APVD -	PRODUCT SPEC -		SIZE A3
0 PLC ± - 1 PLC ± - 2 PLC ± - 3 PLC ± - 4 PLC ± - ANGLES ± -		APPLICATION SPEC -	DRAWING NO C-207848		
MATERIAL SEE CALLOUT		FINISH -	WEIGHT 0.000000	CAGE CODE A300779	RESTRICTED TO -
CUSTOMER DRAWING			SCALE -	SHEET 1 OF 1	REV G