

## PRODUCT CHANGE NOTIFICATION

PCN-DC-QLZU-13

Business Unit	Product Line Code	Type of Change	Action	Date of issue
DC	AAA	Aesthetic	Notify Distributors and Field	3/22/2013

*The following Phoenix Contact products have been modified. Existing specifications will be met or exceeded. Please review and acknowledge this document and inform your personnel as needed.*

### Description of Change:

The flanges of the KGG-PC 4 housings will get a new geometry. Any further technical data, the outside dimensions and the screws are not affected by this change. Depending on the inventory and number of positions, both versions will be delivered in parallel during conversion phase.

### Warranty Information:

N/A

### Stock Status

Can existing stock still be used? Y

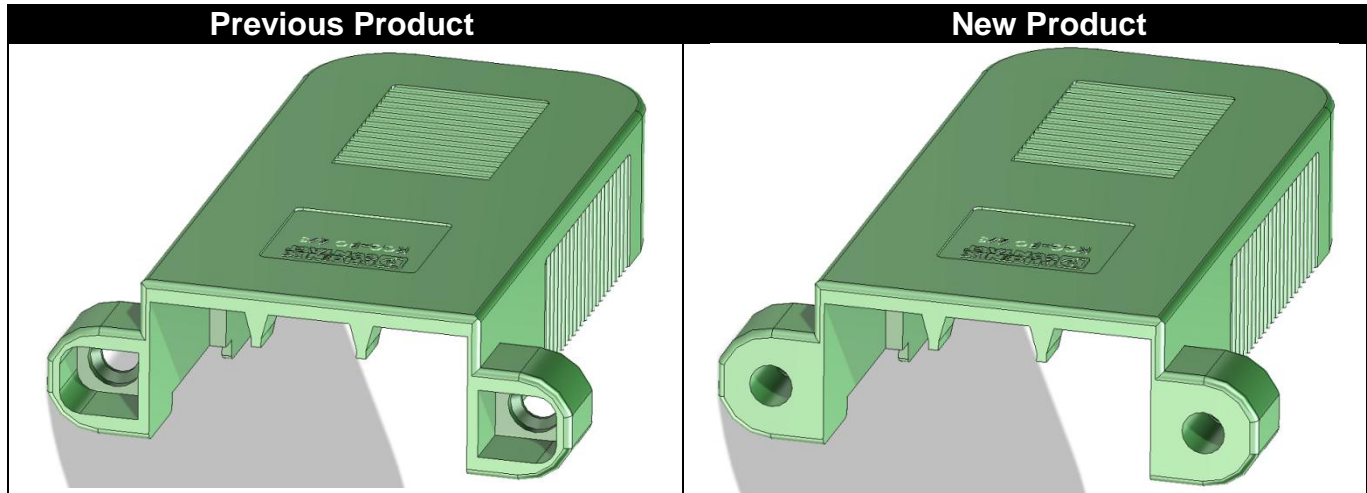
Is mixture of stock acceptable? N

### Transaction Dates:

Date modification goes into effect from Germany: 11/30/2012

Expected first shipment (from Phoenix Contact) of the modified product(s): 3/1/2013

## PRODUCT CHANGE NOTIFICATION



*Should you have any issues with the timeline or content of this change, please contact Phoenix Contact using the contact information below. Customers should acknowledge receipt of the PCN within 30 days of delivery of the PCN; provided, however that the failure to acknowledge receipt does not affect the product change or the effective date thereof.*

**Contact Info:**

ANDREW BOGACZYK  
(800)888-7388x3075  
abogaczyk@phoenixcon.com

Thank you,



---

Steve Barber, Product Marketing Manager

Phoenix Contact Inc.  
P.O. BOX 4100  
Harrisburg, PA 17111-0100  
Phone: 717-944-1300  
Fax: 717-944-1625

## PRODUCT CHANGE NOTIFICATION

Part#	Type Description
1837324	KGG-PC 4/ 3-F
1837337	KGG-PC 4/ 4-F
1837340	KGG-PC 4/ 5-F