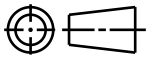
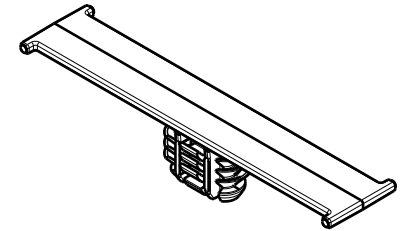
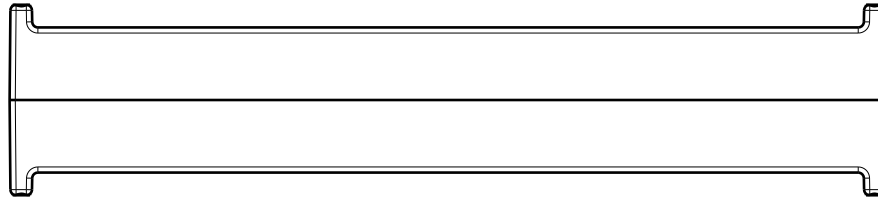


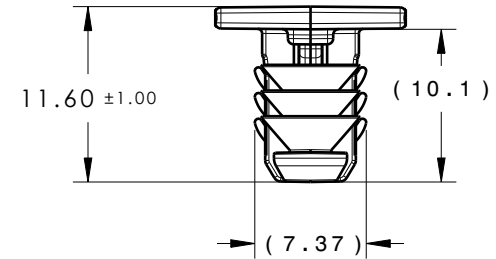
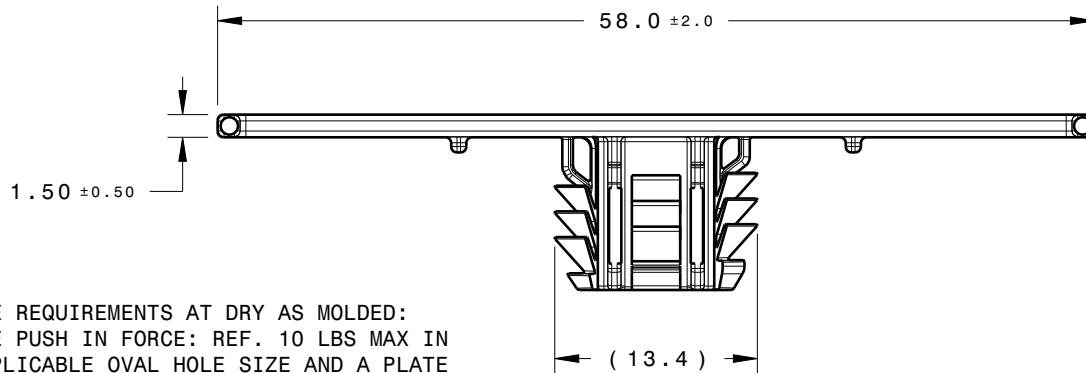
CATIA V5



Revision Level			Revision Record	Changed	Date	Approved	Date
Drawing	State	Part					
01.2	Design Release	C	SEE ECN# 013690	CJR	1/25/17	EJH	1/25/17



ISOMETRIC VIEW  
(SCALE 1:1)



REFERENCE:

PERFORMANCE REQUIREMENTS AT DRY AS MOLDED:

1. FIR TREE PUSH IN FORCE: REF. 10 LBS MAX IN EACH APPLICABLE OVAL HOLE SIZE AND A PLATE THICKNESS OF 1.8mm
2. FIR TREE PULL OUT FORCE: REF. 25 LBS MIN IN EACH APPLICABLE OVAL HOLE SIZE AND A PLATE THICKNESS OF 1.8mm
3. SHEET METAL THICKNESS RANGE: 0.60mm - 2.5mm
4. APPLICABLE OVAL HOLE SIZES:
  - A. 6.2 X 12.2mm
  - B. 6.5 x 12.5mm
  - C. 6.5 x 13.0mm
  - D. 7.0 x 12.0mm



Material PA66HIRHS COLOR: NATURAL	Units <b>millimeters</b>  Tolerance defined on each dimension	The copyright of this drawing is reserved by HellermannTyton. It is issued on condition that it is not reproduced, copied or disclosed to a third party, either wholly or in part, without the consent of HellermannTyton.	Drawn	CJR	6/14/16	Article/Type-No	BCSFTOVAL/ 151-01883	Scale	2:1
			Approved	SJA	6/14/16	Title	TAPE CLIP WITH SHORT OVAL FIR TREE	Project Number	16-0407
<p>North America Email: corp@htamericas.com Web: www.hellermann.tyton.com</p>			Drawing-No		PRODUCTION : Phase		Format	AH	
			<p><b>16-0407-001-CSU</b></p>					Sheet	1/1