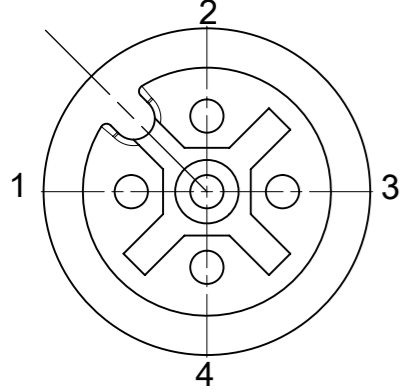


M12 3 POLE FEMALE

Pos A & B



VIEW FROM THE FRONT SIDE

Pin	Wire color
1	BROWN
2	-
3	BLUE
4	BLACK

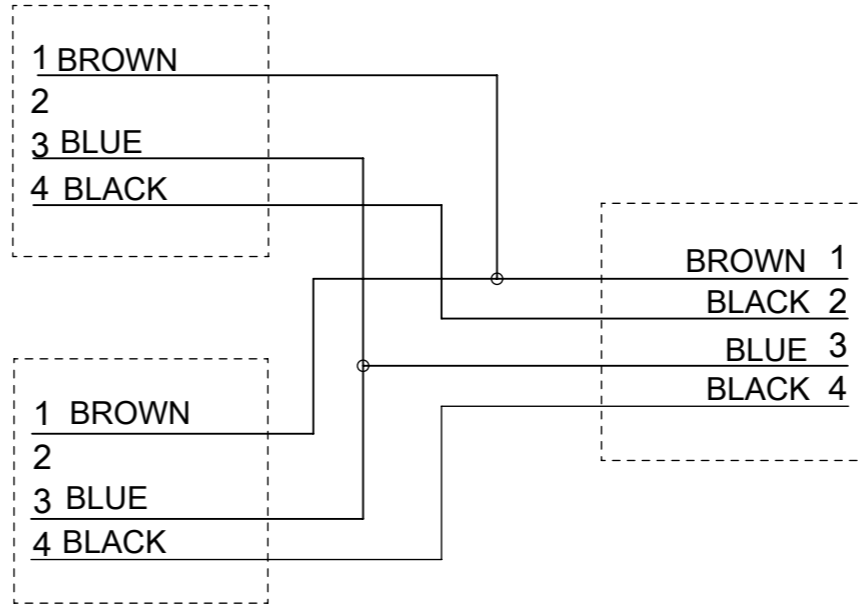
NOTES:
 ELECTRICAL DATA:
 VOLTAGE RATING: 250V
 AMPERAGE RATING: 4A
 INSULATION RESISTANCE: 10⁸ Ω MIN.
 MATING CYCLES: MIN. 100

ENVIRONMENTAL:
 PROTECTION: IP67
 OPERATING TEMPERATURE:
 STATIC: -25°C TO +80°C
 FLEXING: -5°C TO +80°C

Pos B
 Female M12

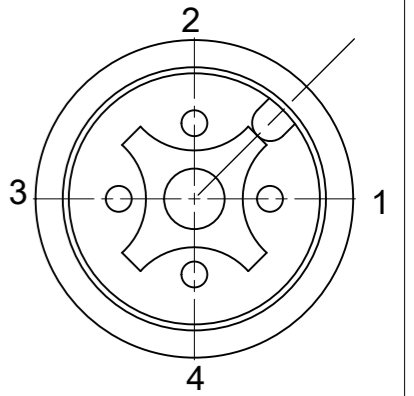
Pos A
 Female M12

WIRING DIAGRAM



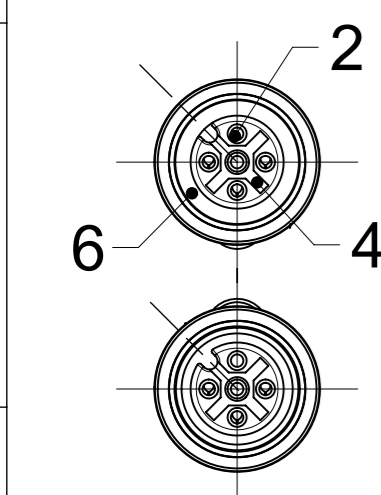
ILS
 Male M12

ILS M12 4 POLE MALE

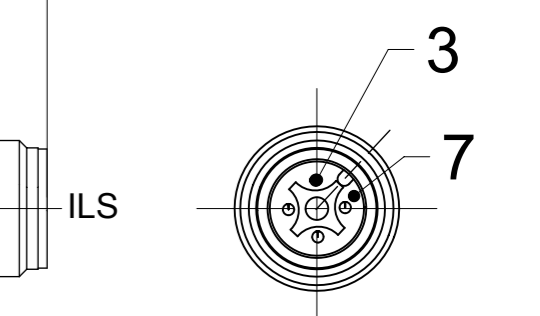
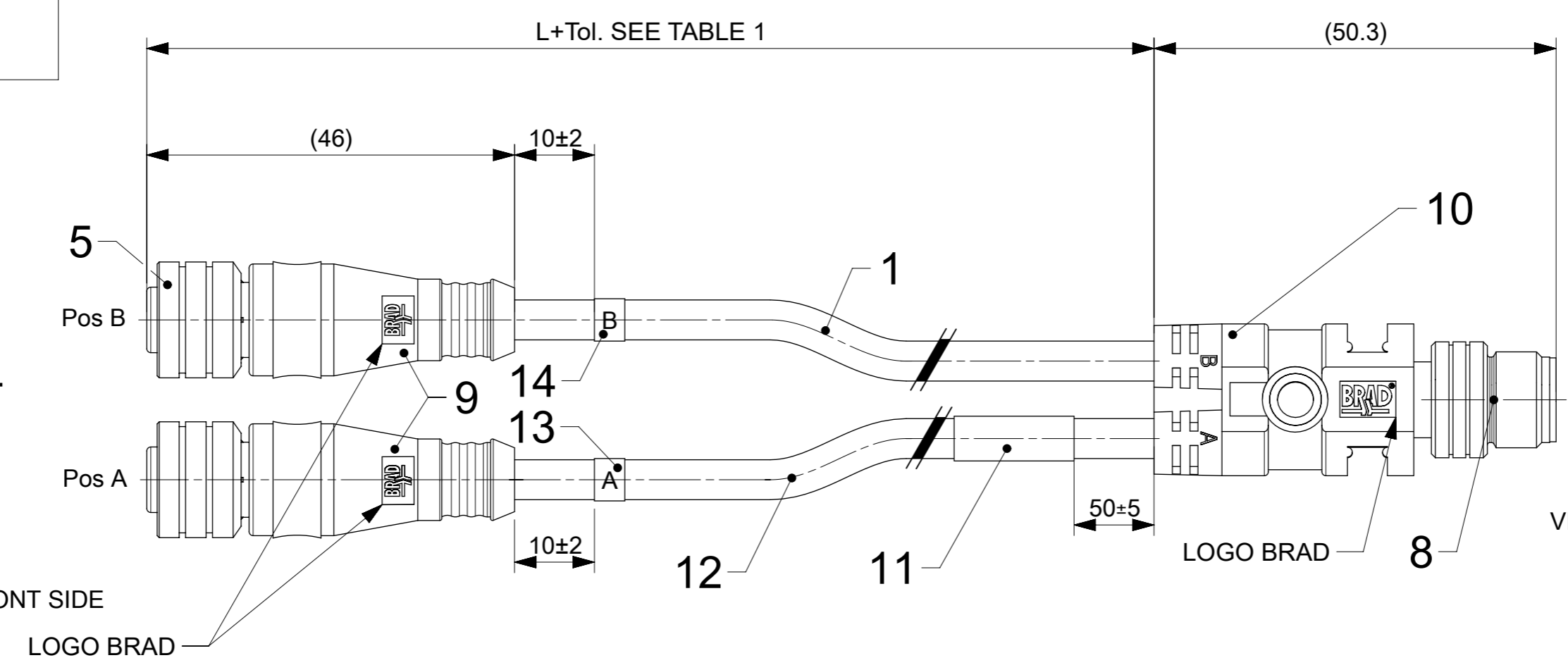


VIEW FROM THE FRONT SIDE

Pin	Wire color
1	BROWN A+B
2	BLACK B
3	BLUE A+B
4	BLACK A



VIEW FROM THE FRONT SIDE

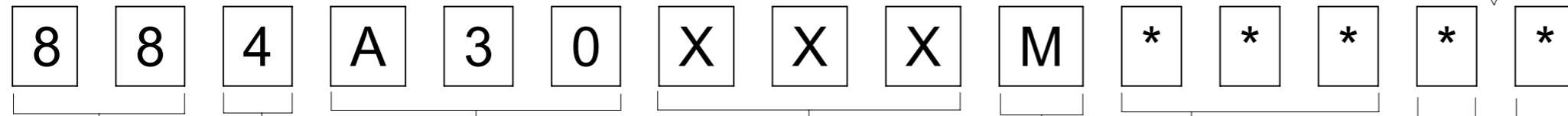


VIEW FROM THE FRONT SIDE

NOTES:
 1. DIMENSION WITHOUT TOLERANCE ARE REFERENTIAL
 2. FOR CABLES IXX AND IF IN MATRIX IS "H" - ADD ID-CARRIER'S ON THE BOTH SIDES HARNESS
 3. BOM - SEE SHEET 2
 4. MATRIX - SEE SHEET 2

FUNCTIONAL SYMBOLS ∇/A = 0 ∇/E = 0 ∇/V = 0 DIVISIONAL SYMBOLS	THIS DRAWING CONTAINS INFORMATION THAT IS PROPRIETARY TO MOLEX ELECTRONIC TECHNOLOGIES, LLC AND SHOULD NOT BE USED WITHOUT WRITTEN PERMISSION	SCALE 3:2		CURRENT REV DESC: CHANGED FROM MOLEX INTERNAL TO GENERAL MARKET	
	mm	GENERAL TOLERANCES (UNLESS SPECIFIED)			
	4 PLACES ±	ANGULAR TOL ± °			
	3 PLACES ±	EC NO: 707539			
2 PLACES ±	DRWN: RSCHIEBER 2022/05/20		2022/05/20		
1 PLACE ±	CHK'D: RSILLER 2022/05/20		2022/05/20		
0 PLACES ±	APPR: RSILLER 2022/05/20		2022/05/20		
DRAFT WHERE APPLICABLE MUST REMAIN WITHIN DIMENSIONS THIRD ANGLE PROJECTION DRAWING A3-SIZE SERIES 120009	INITIAL REVISION:		DOCUMENT NUMBER		
	DRWN: AKONDRACIUK 2018/08/25		1200090087		
	APPR: MIWASIECZKO 2018/08/29		DOC TYPE DOC PART REVISION		
	MATERIAL NUMBER		CUSTOMER		
SEE TABLE		GENERAL MARKET		SHEET NUMBER 1 OF 2	

PART NO MATRIX



88 = M12 - M12

POLES:
4 = 4 POLES

HEADER:
A0 = 2x FEMALE STRAIGHT
TO MALE ILS HEAD

CABLE TYPE:
E03 = 0.34mm², PVC BLACK
I03 = 0.34mm², PVC GREY
S20 = 0.34mm², PVC YELLOW
P03 = 0.34mm², PUR BLACK
P82 = 0.34mm², PUR ORANGE
K05 = 0.34mm², TPE YELLOW
H09 = 0.34mm², PUR BLACK

UNIT:
M = METER
F = FEET

LENGTH:
EXAMPLE:
010 = 1 m
050 = 5 m
100 = 10 m

OVERMOULD COLOR:
BLANK = YELLOW
A = GREY
G = BLACK

COUPLING NUT:
BLANK = STANDARD
1 = NIERDZEWNA HEX / SS
5 = DERLIN
7 = TEFLON
9 = KNU/HEX
H = 2 PCS. OF I/D CARRIER

BOM

ITEM No.	MOLEX P/N	QTY.	DESCRIPTION	MATERIAL	FINISH/COLOR
1	E03 - 1202090001 I03 - 1302190015 S20 - 1202092254 P03 - 1202090003 P82 - 1202090007 K05 - 1302090060 H09 - 1202094475	-	CABLE	TPU	BLACK
2	1202060002	6	CONTACT FEMALE	BRASS	GOLD OVER Ni-PLATED
3	1202050001	4	CONTACT MALE	BRASS	GOLD OVER Ni-PLATED
4	1202080003	2	INSERT M12 FEMALE 3P	TPU	BLACK
5	1202070007 5 - 1203290009 7 - 1202070014 9 - 1202070086	1	COUPLING NUT M12 FEMALE	SEE MATRIX	-
6	1202040002	1	GASKET	FPM	RED
7	1202080008	1	INSERT M12 MALE 4P	PUR	BLACK
8	1202070008 5 - 1203290004 7 - 1202070068 9 - 1202070088	1	COUPLING NUT M12 MALE	BRASS	Ni-PLATED
9	899921504 967550209	-	OVERMOULD M12	TPU	YELLOW
10	1302190015	-	OVERMOULD ILS	PVC	YELLOW
10	1203120439	1	CENTRE SPACER	PVC	YELLOW
11	0908486995	1	STANDARD LABEL	VINYL	YELLOW
12	859993604	1	LABEL A	VINYL	WHITE
13	859993605	1	LABEL B	VINYL	WHITE
14	1203010001	2	ID CARRIER - PATRZ UWAGA 3 SEE NOTE 3	PVC	TRANSPARENT

SEE MATRIX

PART LIST

Lp	MOLEX PN	ENGINEERING No.	L [mm]	Lp	MOLEX PN	ENGINEERING No.	L [mm]
1	1200090087	884A30E03M010	1000+56	24	1200090093	884A30P03M030	3000+89
2	1200090088	884A30E03M0205	2000+89	25	1200688018	884A30P03M005	500+45
3	1200090089	884A30E03M0505	5000+156	26	1200688019	884A30P03M006	600+45
4	1200090090	884A30E03M0755	7500+317	27	1200688020	884A30P03M010	1000+56
5	1200685006	884A30E03M030	3000+89	28	1200688021	884A30P03M050	5000+165
6	1200685027	884A30E03M006	600+45	29	1200698157	884A30P03M006H	600+45
7	1200685028	884A30E03M020	2000+89	30	1200688270	884A30P03M100	10000+317
8	1200688013	884A30E03M015	15000+56	31	1200090094	884A30P82M003	300+19
9	1200688015	884A30E03M050	5000+165	32	1200090095	884A30P82M0067	600+45
10	1200688096	884A30E03M003	300+19	33	1200685023	884A30P82M0037	300+19
11	1200688152	884A30E03M002	200+19	34	1200688127	884A30P82M0107	1000+56
12	1200688155	884A30E03M002H	200+19	35	1200680196	884A30K05M006	600+45
13	1200688158	884A30E03M040	4000+165	36	1200688153	884A30H09M020	2000+89
14	1200688168	884A30E03M070	7000+165	37	1200688154	884A30H09M040	4000+165
15	1200685007	884A30I03M003	300+19	38	1200688169	884A30H09M005	500+45
16	1200685030	884A30I03M020	2000+89	39	1200688214	884A30H09M0039	300+19
17	1200688016	884A30I03M010	1000+56	40	1200688138	884A30H09M003	300+19
18	1200688017	884A30I03M030	3000+89	41	1200688143	884A30H09M010	1000+56
19	1200688025	884A30S20M010H	1000+56	42	1200688144	884A30H09M050	5000+165
20	1200688136	884A30S20M003H	300+19	43	1200680195	884A30K05M003	300+19
21	1200688139	884A30S20M005H	500+45				
22	1200090091	884A30P03M003	300+19				
23	1200090092	884A30P03M020	2000+89				

FUNCTIONAL SYMBOLS	THIS DRAWING CONTAINS INFORMATION THAT IS PROPRIETARY TO MOLEX ELECTRONIC TECHNOLOGIES, LLC AND SHOULD NOT BE USED WITHOUT WRITTEN PERMISSION			
	$\nabla_A = 0$ $\nabla_E = 0$ $\nabla_P = 0$	DIMENSION UNITS: mm SCALE: 1:1 GENERAL TOLERANCES (UNLESS SPECIFIED) ANGULAR TOL ± ° 4 PLACES ± 3 PLACES ± 2 PLACES ± 1 PLACE ± 0 PLACES ±		
DIVISIONAL SYMBOLS	DRAFT WHERE APPLICABLE MUST REMAIN WITHIN DIMENSIONS THIRD ANGLE PROJECTION 		PRODUCT CUSTOMER DRAWING DOCUMENT NUMBER: 1200090087 DOC TYPE: PSD DOC PART: 000 REVISION: A5	
	DRAWING: A3-SIZE SERIES: 120009 MATERIAL NUMBER: SEE TABLE CUSTOMER: GENERAL MARKET SHEET NUMBER: 2 OF 2			