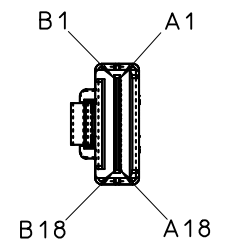
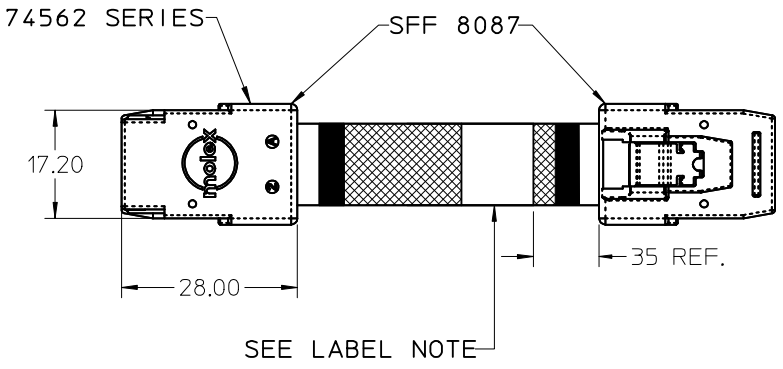
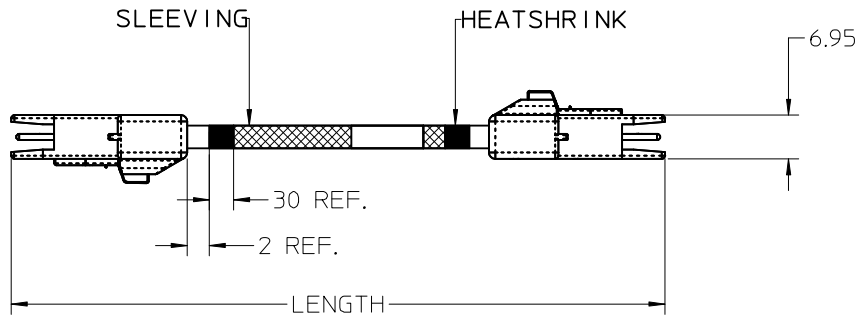


MOLEX P/N	SIDEBANDS	APPLICATION	SLEEVING	AWG	LENGTH(M)	TOL(+/-)	PIN OUT
795762100	YES	Ctrl to BP	YES	30	0.152	0.015	PIN OUT 1
795762101	YES	Ctrl to BP	YES	30	0.3	0.015	PIN OUT 1
795762102	YES	Ctrl to BP	YES	30	0.5	0.015	PIN OUT 1
795762103	YES	Ctrl to BP	YES	30	0.6	0.015	PIN OUT 1
795762104	YES	Ctrl to BP	YES	28	1	0.030	PIN OUT 1
795762105	YES	Ctrl to BP	YES	30	0.33	0.015	PIN OUT 1
795762107	YES	Ctrl TO BP	YES	30	0.225	0.015	PIN OUT 1
795762110	YES	Ctrl to CTRL	YES	30	0.152	0.015	PIN OUT 2
795762111	YES	Ctrl to CTRL	YES	30	0.3	0.015	PIN OUT 2
795762112	YES	Ctrl to CTRL	YES	30	0.5	0.015	PIN OUT 2
795762113	YES	Ctrl to CTRL	YES	30	0.6	0.015	PIN OUT 2
795762114	YES	Ctrl to CTRL	YES	28	1	0.030	PIN OUT 2
795762120	NO	N/A	YES	30	0.152	0.015	PIN OUT 3
795762121	NO	N/A	YES	30	0.3	0.015	PIN OUT 3
795762122	NO	N/A	YES	30	0.5	0.015	PIN OUT 3
795762123	NO	N/A	YES	30	0.6	0.015	PIN OUT 3
795762124	NO	N/A	YES	28	1	0.030	PIN OUT 3
795762125	NO	N/A	YES	28	0.875	0.010	PIN OUT 3
795762126	NO	N/A	YES	30	0.650	0.010	PIN OUT 3
795762127	NO	N/A	YES	28	0.710	0.010	PIN OUT 3
795762128	NO	N/A	YES	28	0.935	0.010	PIN OUT 3
795762129	NO	N/A	YES	30	0.800	0.010	PIN OUT 3
795762141	NO	N/A	YES	28	1.1	0.010	PIN OUT 3
795762142	NO	N/A	YES	28	2.1	0.010	PIN OUT 3
795762012	YES	Ctrl to CTRL	NO	30	0.5	0.015	PIN OUT 2
795762137	NO	N/A	YES	28	0.6	0.015	PIN OUT 3
795762138	NO	N/A	YES	26	0.9	0.015	PIN OUT 3
795762140	YES	Ctrl to BP	YES	26	0.8	0.015	PIN OUT 1

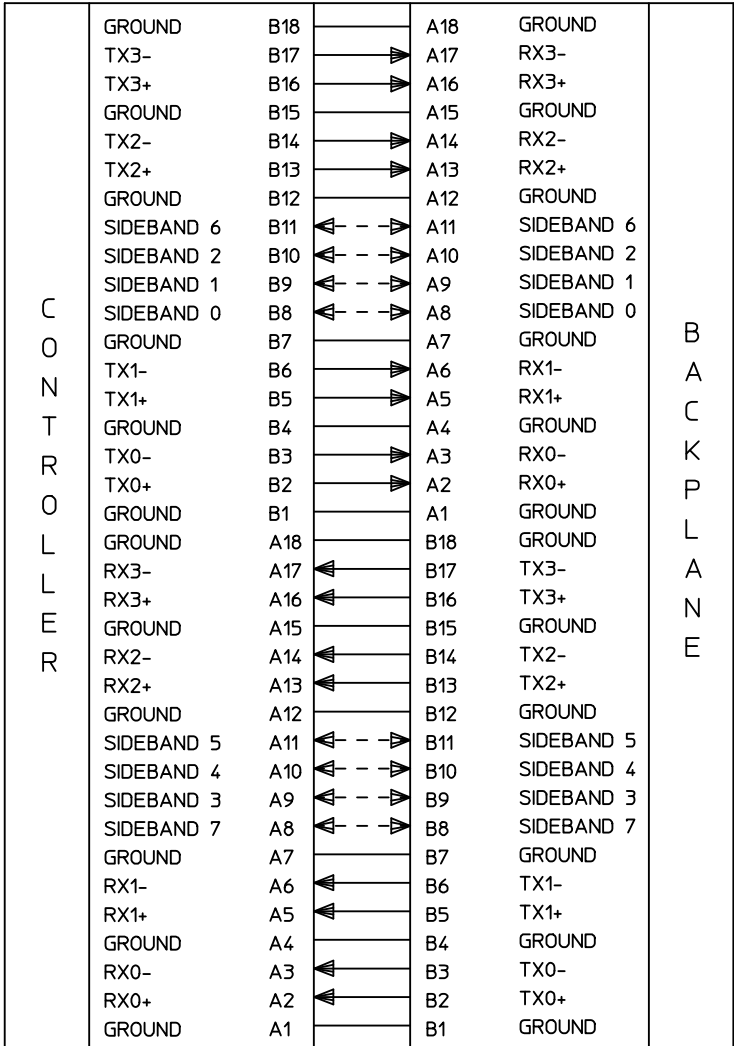


ONLY TOP CONNECTOR SHOWN FOR CLARITY

- NOTES:
- MATERIAL:
 - OVER MOLD - POLYBUTYLENE TEREPHTHALATE (PBT), 94-V0, GLASS FILLED 30%.
 - LATCH - STAINLESS STEEL ALLOY.
 - CABLE -
 - SIGNALS PVC INSULATION
 - SOLID COPPER SIGNAL AND DRAIN.
 - INNER DIELECTRIC IS POLYOLEFIN
 - TWIN-AX SHIELD IS ALUMINIZED POLYESTER FOIL.
 - JACKET - PVC RED
 - PCB - FR4
 - PRODUCT TO PERFORM PER PRODUCT SPECIFICATION: PS-75783-001.
 - PRODUCT MATES TO 75783 (RIGHT ANGLE) AND 75784 (VERTICAL) SERIES.
 - THIS PRODUCT CONFORMS TO THE MECHANICAL DIMENSIONING AND ELECTRICAL PERFORMANCE REQUIREMENTS OF SFF-8087.
 - MINIMUM RECOMMENDED BEND RADIUS 28 MM.
 - THIS PRODUCT MEETS THE RESTRICTION OF HAZARDOUS SUBSTANCES IN ELECTRICAL AND ELECTRONIC EQUIPMENT (RoHS) DIRECTIVE (2002/95/EC)
 - LABEL INFO.
 - MOLEX
 - <<PART NUMBER>>
 - MADE IN XXXX (XXXX: MANUFACTURING LOCATION: US/ CHINA/ PHILIPPINES)
 - WW/YY

IPASS™ IS A TRADEMARK OF MOLEX.

ENTER DESCRIPTION EC NO: CPG2016-4062 DRW: CJEH03 CHKD: 0001 APPR: RJSU01 2016/05/26 2016/05/26 2016/05/20	QUALITY SYMBOLS $F_A=0$ $F_G=0$ $F_P=0$	GENERAL TOLERANCES (UNLESS SPECIFIED)		DIMENSION STYLE MM/IN		SCALE ---	DESIGN UNITS METRIC	THIRD ANGLE PROJECTION	
				DRAWN BY JERWIN	DATE 2006/04/25	TITLE IPASS (MINI-SAS) INTERNAL CABLE 36 CKT 4X W/ SIDEBANDS			
				CHECKED BY THALL	DATE 2006/04/25	APPROVED BY DDOYE			
				MATERIAL NO. SEE TABLE		DOCUMENT NO. SD-79576-200		SHEET NO. 1 OF 4	
		DRAFT WHERE APPLICABLE MUST REMAIN WITHIN DIMENSIONS		SIZE A3		THIS DRAWING CONTAINS INFORMATION THAT IS PROPRIETARY TO MOLEX INCORPORATED AND SHOULD NOT BE USED WITHOUT WRITTEN PERMISSION			



NOTE:
 1. PINOUT CONFORMS TO SAS 1.1 9.0D SECTION 5.2.4.1.2.3
 2. ALL SIGNAL GROUNDS ARE BUSSED IN PCB.

P I N O U T 1

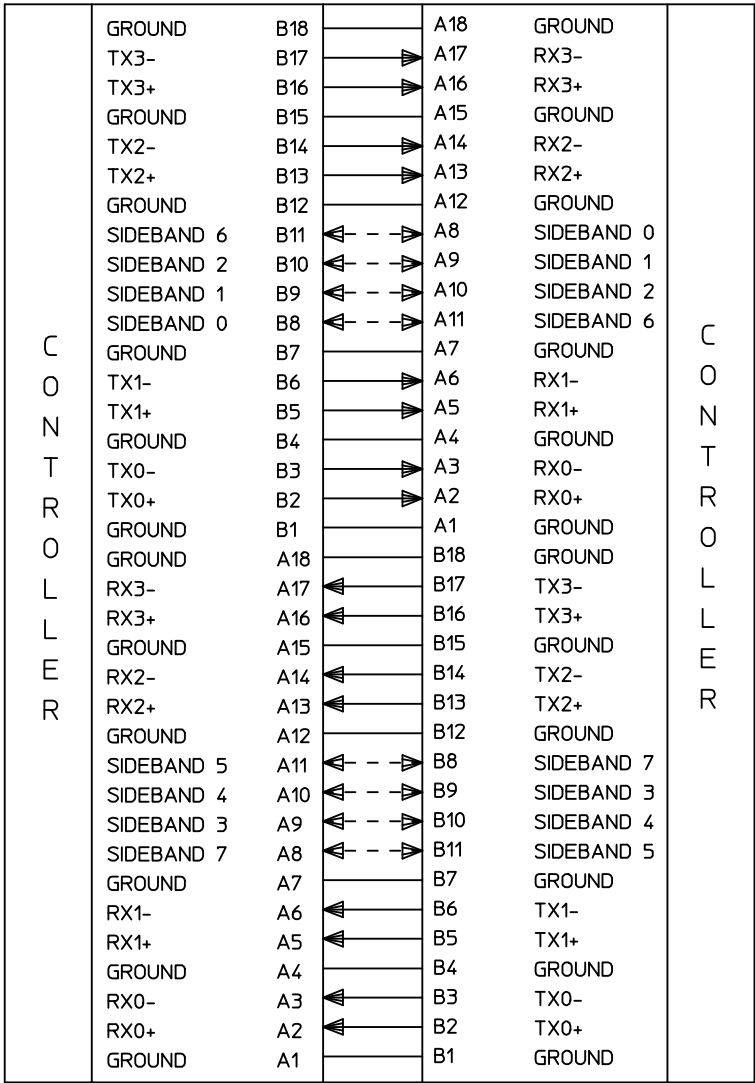
C O N T R O L L E R

B A C K P L A N E

IPASS™ IS A TRADEMARK OF MOLEX

ENTER DESCRIPTION EC NO: CPG2016-4062 DRWN: CYEH03 CHKD: LOU01 APPR: RJSU01	QUALITY SYMBOLS $F_A=0$ $F_C=0$ $F_P=0$	GENERAL TOLERANCES (UNLESS SPECIFIED)		DIMENSION STYLE MM/IN		SCALE - - - -	DESIGN UNITS METRIC	THIRD ANGLE PROJECTION	
			mm	INCH	DRAWN BY JERWIN	DATE 2006/04/25	TITLE IPASS (MINI-SAS) INTERNAL CABLE 36 CKT 4X W/ SIDEBANDS		
		4 PLACES ± --- ± --- 3 PLACES ± --- ± .01 2 PLACES ± 0.25 ± --- 1 PLACE ± --- ± --- 0 PLACE ± ±			CHECKED BY THALL	DATE 2006/04/25	APPROVED BY DDOYE		
		ANGULAR ± 1 ° DRAFT WHERE APPLICABLE MUST REMAIN WITHIN DIMENSIONS		MATERIAL NO. SEE TABLE		DOCUMENT NO. SD-79576-200		SHEET NO. 2 OF 4	

10 9 8 7 6 5 4 3 2 1



NOTE

1. FOR CONTROLLER TO CONTROLLER.
2. ALL SIGNAL GROUNDS ARE BUSSED IN PCB.

P I N O U T 2

C O N T R O L L E R

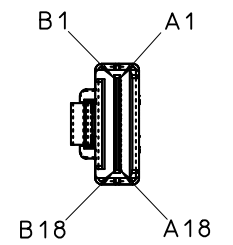
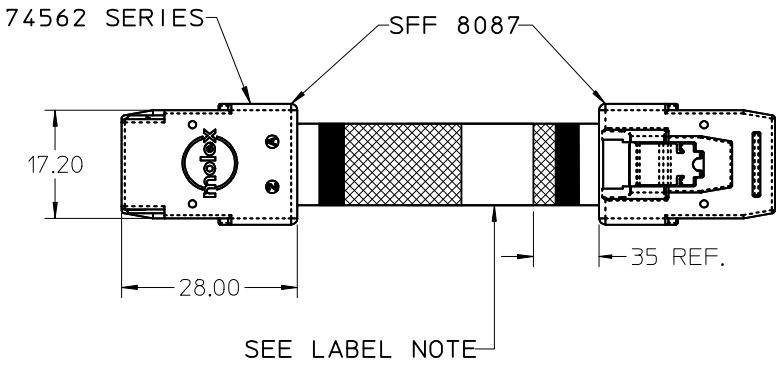
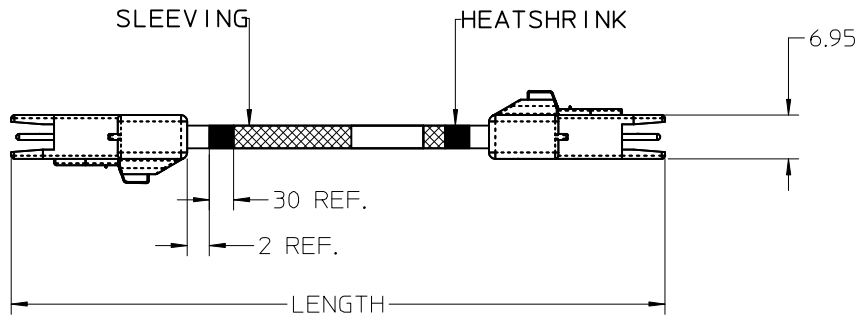
C O N T R O L L E R

IPASS™ IS A TRADEMARK OF MOLEX

ENTER DESCRIPTION EC NO: CPG2016-4062 DRW: CYEH03 CHKD: LOU01 APPR: RHSU01	2016/05/26 2016/05/26 2016/05/30	QUALITY SYMBOLS F _A =0 F _C =0 F _P =0	GENERAL TOLERANCES (UNLESS SPECIFIED) mm INCH 4 PLACES ± --- ± --- 3 PLACES ± --- ± .01 2 PLACES ± 0.25 ± --- 1 PLACE ± --- ± --- 0 PLACE ± ±	DIMENSION STYLE MM/IN DRAWN BY DATE JERWIN 2006/04/25 CHECKED BY DATE THALL 2006/04/25 APPROVED BY DATE DDOYE 2006/04/25	SCALE --- DESIGN UNITS METRIC THIRD ANGLE PROJECTION	TITLE IPASS (MINI-SAS) INTERNAL CABLE 36 CKT 4X W/ SIDEBANDS
	MATERIAL NO. SEE TABLE	DOCUMENT NO. SD-79576-200	SHEET NO. 3 OF 4			
	DRAFT WHERE APPLICABLE MUST REMAIN WITHIN DIMENSIONS	SIZE A3	THIS DRAWING CONTAINS INFORMATION THAT IS PROPRIETARY TO MOLEX INCORPORATED AND SHOULD NOT BE USED WITHOUT WRITTEN PERMISSION			

9 8 7 6 5 4 3 2 1

MOLEX P/N	SIDEBANDS	APPLICATION	SLEEVING	AWG	LENGTH(M)	TOL(+/-)	PIN OUT
795762100	YES	Ctrl to BP	YES	30	0.152	0.015	PIN OUT 1
795762101	YES	Ctrl to BP	YES	30	0.3	0.015	PIN OUT 1
795762102	YES	Ctrl to BP	YES	30	0.5	0.015	PIN OUT 1
795762103	YES	Ctrl to BP	YES	30	0.6	0.015	PIN OUT 1
795762104	YES	Ctrl to BP	YES	28	1	0.030	PIN OUT 1
795762105	YES	Ctrl to BP	YES	30	0.33	0.015	PIN OUT 1
795762107	YES	Ctrl TO BP	YES	30	0.225	0.015	PIN OUT 1
795762110	YES	Ctrl to CTRL	YES	30	0.152	0.015	PIN OUT 2
795762111	YES	Ctrl to CTRL	YES	30	0.3	0.015	PIN OUT 2
795762112	YES	Ctrl to CTRL	YES	30	0.5	0.015	PIN OUT 2
795762113	YES	Ctrl to CTRL	YES	30	0.6	0.015	PIN OUT 2
795762114	YES	Ctrl to CTRL	YES	28	1	0.030	PIN OUT 2
795762120	NO	N/A	YES	30	0.152	0.015	PIN OUT 3
795762121	NO	N/A	YES	30	0.3	0.015	PIN OUT 3
795762122	NO	N/A	YES	30	0.5	0.015	PIN OUT 3
795762123	NO	N/A	YES	30	0.6	0.015	PIN OUT 3
795762124	NO	N/A	YES	28	1	0.030	PIN OUT 3
795762125	NO	N/A	YES	28	0.875	0.010	PIN OUT 3
795762126	NO	N/A	YES	30	0.650	0.010	PIN OUT 3
795762127	NO	N/A	YES	28	0.710	0.010	PIN OUT 3
795762128	NO	N/A	YES	28	0.935	0.010	PIN OUT 3
795762129	NO	N/A	YES	30	0.800	0.010	PIN OUT 3
795762141	NO	N/A	YES	28	1.1	0.010	PIN OUT 3
795762142	NO	N/A	YES	28	2.1	0.010	PIN OUT 3
795762012	YES	Ctrl to CTRL	NO	30	0.5	0.015	PIN OUT 2
795762137	NO	N/A	YES	28	0.6	0.015	PIN OUT 3
795762138	NO	N/A	YES	26	0.9	0.015	PIN OUT 3
795762140	YES	Ctrl to BP	YES	26	0.8	0.015	PIN OUT 1

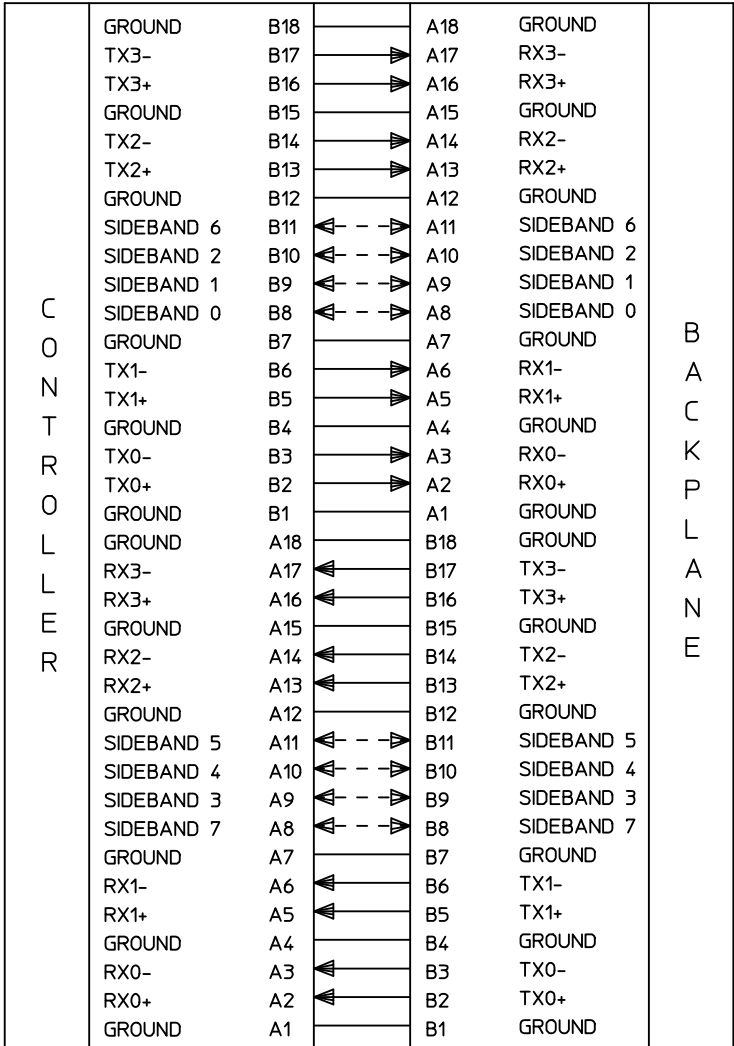


ONLY TOP CONNECTOR SHOWN FOR CLARITY

- NOTES:
- MATERIAL:
 - OVER MOLD - POLYBUTYLENE TEREPHTHALATE (PBT), 94-V0, GLASS FILLED 30%.
 - LATCH - STAINLESS STEEL ALLOY.
 - CABLE -
 - SIGNALS PVC INSULATION
 - SOLID COPPER SIGNAL AND DRAIN.
 - INNER DIELECTRIC IS POLYOLEFIN
 - TWIN-AX SHIELD IS ALUMINIZED POLYESTER FOIL.
 - JACKET - PVC RED
 - PCB - FR4
 - PRODUCT TO PERFORM PER PRODUCT SPECIFICATION: PS-75783-001.
 - PRODUCT MATES TO 75783 (RIGHT ANGLE) AND 75784 (VERTICAL) SERIES.
 - THIS PRODUCT CONFORMS TO THE MECHANICAL DIMENSIONING AND ELECTRICAL PERFORMANCE REQUIREMENTS OF SFF-8087.
 - MINIMUM RECOMMENDED BEND RADIUS 28 MM.
 - THIS PRODUCT MEETS THE RESTRICTION OF HAZARDOUS SUBSTANCES IN ELECTRICAL AND ELECTRONIC EQUIPMENT (RoHS) DIRECTIVE (2002/95/EC)
 - LABEL INFO.
 - MOLEX
 - <<PART NUMBER>>
 - MADE IN XXXX (XXXX: MANUFACTURING LOCATION: US/ CHINA/ PHILIPPINES)
 - WW/YY

IPASS™ IS A TRADEMARK OF MOLEX.

ENTER DESCRIPTION EC NO: CPG2016-4062 DRW: CJEH03 CHKD: 0001 APPR: RJSU01 2016/05/26 2016/05/26 2016/05/20	QUALITY SYMBOLS $F_A=0$ $F_G=0$ $F_P=0$	GENERAL TOLERANCES (UNLESS SPECIFIED)		DIMENSION STYLE	SCALE	DESIGN UNITS	THIRD ANGLE PROJECTION	
				MM/IN	---	METRIC		
				DRAWN BY	DATE	TITLE		
				JERWIN	2006/04/25	IPASS (MINI-SAS) INTERNAL CABLE 36 CKT 4X W/ SIDEBANDS		
		DRAFT WHERE APPLICABLE MUST REMAIN WITHIN DIMENSIONS		CHECKED BY	DATE	molex SD-79576-200		
				APPROVED BY	DATE	SHEET NO.		
				DDOYE	2006/04/25	1 OF 4		
				THIS DRAWING CONTAINS INFORMATION THAT IS PROPRIETARY TO MOLEX INCORPORATED AND SHOULD NOT BE USED WITHOUT WRITTEN PERMISSION				



NOTE:
 1. PINOUT CONFORMS TO SAS 1.1 9.0D SECTION 5.2.4.1.2.3
 2. ALL SIGNAL GROUNDS ARE BUSSED IN PCB.

P I N O U T 1

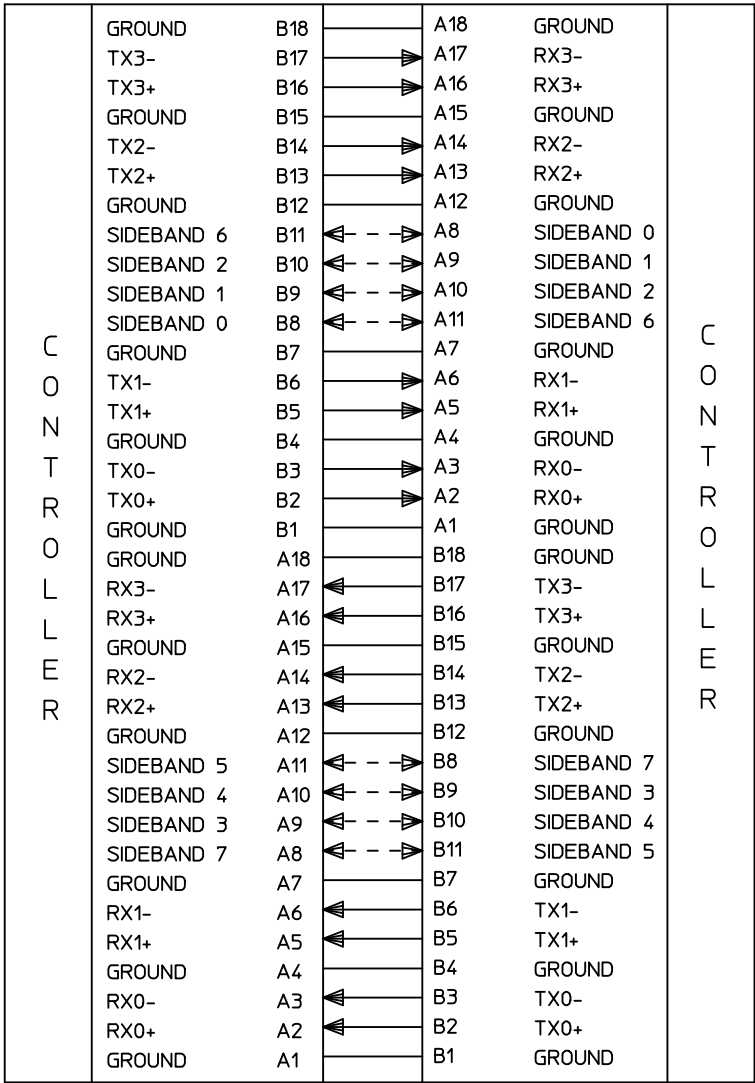
C O N T R O L L E R

B A C K P L A N E

IPASS™ IS A TRADEMARK OF MOLEX

ENTER DESCRIPTION EC NO: CPG2016-4062 DRWN: CJEH03 CHKD: LOU01 APPR: RJSU01	QUALITY SYMBOLS $F_A=0$ $F_C=0$ $F_P=0$	GENERAL TOLERANCES (UNLESS SPECIFIED)		DIMENSION STYLE MM/IN		SCALE - - - -	DESIGN UNITS METRIC	THIRD ANGLE PROJECTION	
			mm	INCH	DRAWN BY JERWIN	DATE 2006/04/25	TITLE IPASS (MINI-SAS) INTERNAL CABLE 36 CKT 4X W/ SIDEBANDS		
		4 PLACES ± --- ± --- 3 PLACES ± --- ± .01 2 PLACES ± 0.25 ± --- 1 PLACE ± --- ± --- 0 PLACE ± ±			CHECKED BY THALL	DATE 2006/04/25	APPROVED BY DDOYE		
		ANGULAR ± 1 ° DRAFT WHERE APPLICABLE MUST REMAIN WITHIN DIMENSIONS		MATERIAL NO. SEE TABLE		DOCUMENT NO. SD-79576-200		SHEET NO. 2 OF 4	

10 9 8 7 6 5 4 3 2 1



NOTE

1. FOR CONTROLLER TO CONTROLLER.
2. ALL SIGNAL GROUNDS ARE BUSSED IN PCB.

P I N O U T 2

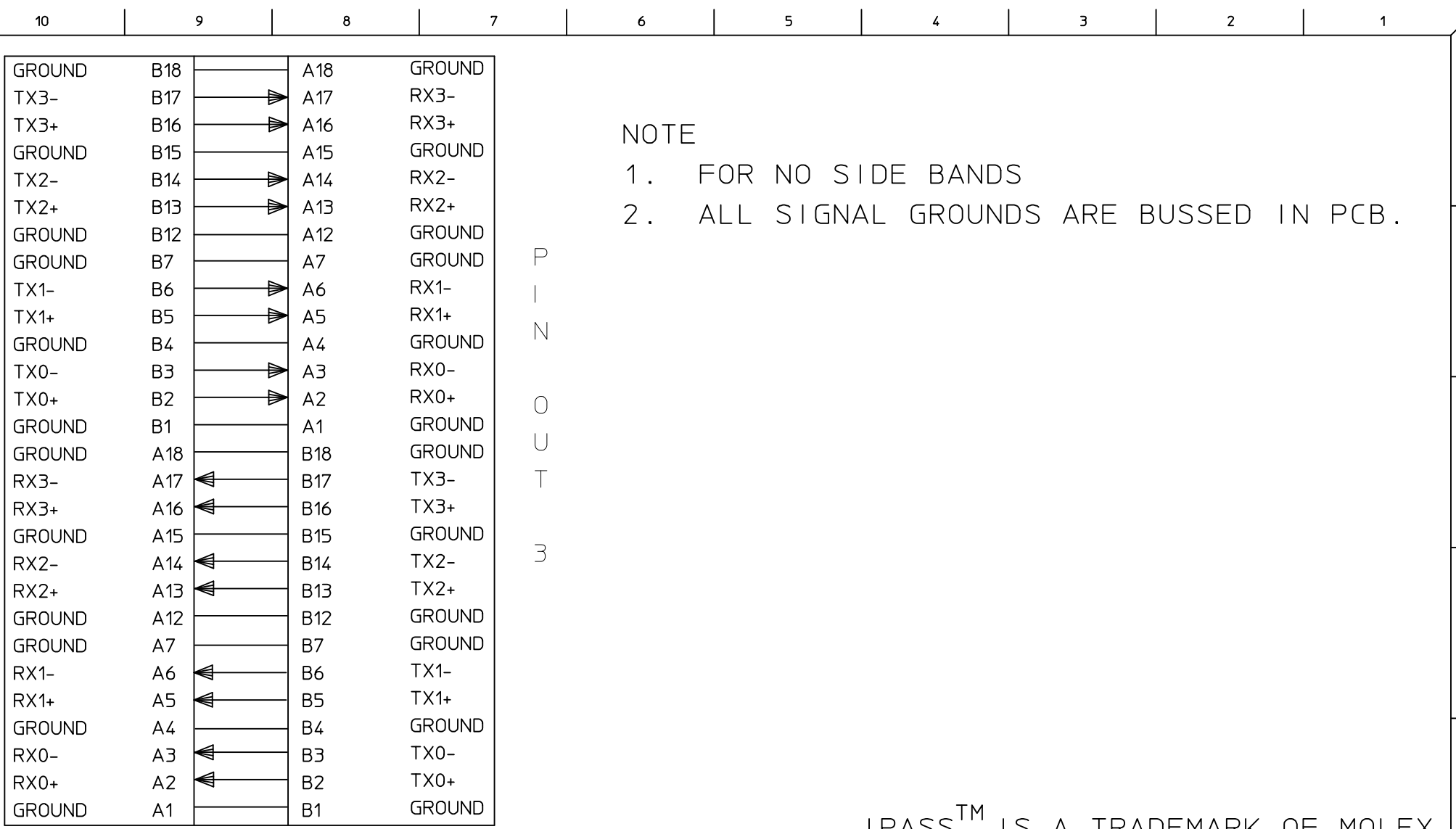
C O N T R O L L E R

C O N T R O L L E R

IPASS™ IS A TRADEMARK OF MOLEX

ENTER DESCRIPTION EC NO: CPG2016-4062 DRW: CYEH03 CHKD: LOU01 APPR: RHSU01	2016/05/26 2016/05/26 2016/05/30	QUALITY SYMBOLS F _A =0 F _C =0 F _P =0	GENERAL TOLERANCES (UNLESS SPECIFIED) mm INCH 4 PLACES ± --- ± --- 3 PLACES ± --- ± .01 2 PLACES ± 0.25 ± --- 1 PLACE ± --- ± --- 0 PLACE ± ±	DIMENSION STYLE MM/IN DRAWN BY DATE JERWIN 2006/04/25 CHECKED BY DATE THALL 2006/04/25 APPROVED BY DATE DDOYE 2006/04/25	SCALE --- DESIGN UNITS METRIC THIRD ANGLE PROJECTION	TITLE IPASS (MINI-SAS) INTERNAL CABLE 36 CKT 4X W/ SIDEBANDS
	MATERIAL NO. SEE TABLE	DOCUMENT NO. SD-79576-200	SHEET NO. 3 OF 4			
	DRAFT WHERE APPLICABLE MUST REMAIN WITHIN DIMENSIONS	SIZE A3	THIS DRAWING CONTAINS INFORMATION THAT IS PROPRIETARY TO MOLEX INCORPORATED AND SHOULD NOT BE USED WITHOUT WRITTEN PERMISSION			

9 8 7 6 5 4 3 2 1



NOTE
 1. FOR NO SIDE BANDS
 2. ALL SIGNAL GROUNDS ARE BUSSED IN PCB.

IPASS™ IS A TRADEMARK OF MOLEX

ENTER DESCRIPTION EC NO: CPG2016-4062 DRWN: CYEH03 CHKD: LOU01 APPR: RHSU01	QUALITY SYMBOLS $\nabla_F = 0$ $\nabla_E = 0$ $\nabla_B = 0$	GENERAL TOLERANCES (UNLESS SPECIFIED)		DIMENSION STYLE	SCALE	DESIGN UNITS	THIRD ANGLE PROJECTION	
				MM/IN	----	METRIC		
			mm	INCH	DRAWN BY	DATE	TITLE	
		4 PLACES	± ---	± ---	JERWIN	2006/04/25	IPASS (MINI-SAS) INTERNAL CABLE 36 CKT 4X W/ SIDEBANDS	
3 PLACES	± ---	± .01	CHECKED BY	DATE				
2 PLACES	± 0.25	± ---	THALL	2006/04/25				
1 PLACE	± ---	± ---	APPROVED BY	DATE				
0 PLACE	±	±	DDOYE	2006/04/25				
		ANGULAR ± 1 °		MATERIAL NO.	DOCUMENT NO.		SHEET NO.	
DRAFT WHERE APPLICABLE MUST REMAIN WITHIN DIMENSIONS		SEE TABLE		SD-79576-200		4 OF 4		
		SIZE A3		THIS DRAWING CONTAINS INFORMATION THAT IS PROPRIETARY TO MOLEX INCORPORATED AND SHOULD NOT BE USED WITHOUT WRITTEN PERMISSION				