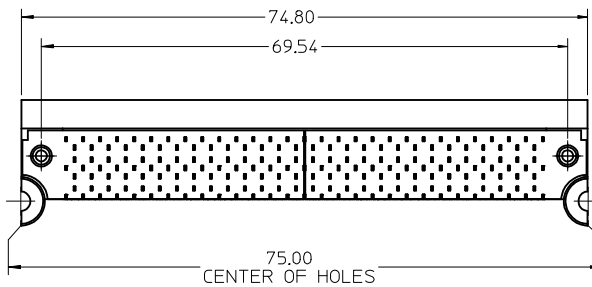


**NOTES**

- MATERIAL**  
CONNECTOR HOUSING: GLASS FILLED LCP, 94 V-0, COLOR BLACK  
OVERMOLDING ON TERMINAL: GLASS FILLED LCP, COLOR: BLACK  
TERMINALS: COPPER ALLOY, SPRING TEMPER
- TERMINAL FINISH: CONTACT AREA: 0.75μm MIN. HARD GOLD OVER 1.25μm MIN. NICKEL.**  
75791-0001 COMPLIANT AREA: 0.75-150μm TIN OVER 0.75-150μm NICKEL  
75791-0002 COMPLIANT AREA: 0.75-150μm 90/10 TIN LEAD OVER 0.75-150μm NICKEL
- REFER TO PS-75800-001 PRODUCT SPEC FOR ALL ELECTRICAL, MECHANICAL AND ENVIRONMENTAL SPECIFICATIONS.
- REFER TO PK-75800-203 AND PK-70873-560 FOR ALL PACKAGING SPECIFICATIONS.
- REFER TO AS-75800-001 FOR BOARD APPLICATION INFORMATION.
- DATE CODE AND PART NUMBER TO BE LASER ETCHED OR APPLIED BY A LABEL. INFO TO INCLUDE PART NUMBER, MANUFACTURING FACILITY AND DATE CODE IN THE FORMAT OF WEEK AND LAST TWO DIGITS OF THE YEAR, WWYY.



**SECTION Y-Y**  
TERMINAL TAIL  
CROSS SECTION



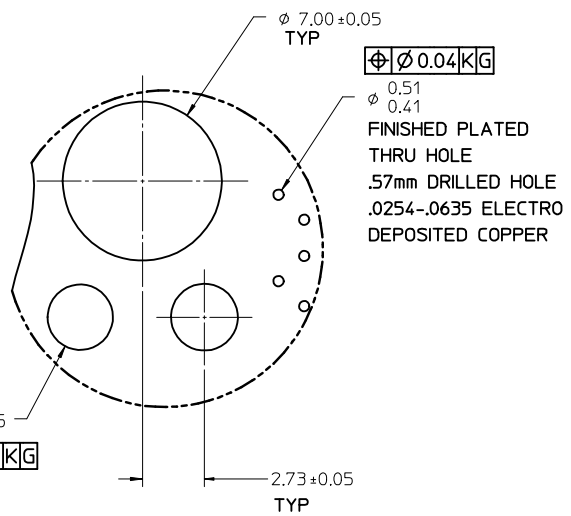
PART NUMBER	COMPLIANT TAIL PLATING
75791-0001	TIN
75791-0002	90/10 TIN LEAD

CORRECT PK SPEC EC NO: UCP2016-3056 DRWNSVANG01 2016/02/02 CHKD:MCAIN 2016/02/02 APPR:DMCGOWAN 2016/02/12	QUALITY SYMBOLS	GENERAL TOLERANCES (UNLESS SPECIFIED)	DIMENSION STYLE MM ONLY	SCALE 2:1	DESIGN UNITS METRIC	THIRD ANGLE PROJECTION
	▽=0 ▽=0 ▽=0	4 PLACES ± --- ± --- 3 PLACES ± --- ± .005 2 PLACES ± 0.13 ± .010 1 PLACE ± 0.25 ± --- 0 PLACE ± ±	mm INCH DRAWN BY DATE SVANG01 2016/02/02 CHECKED BY DATE MCAIN 2016/02/02 APPROVED BY DATE	TITLE ADVANCED MC B+ TALL STYLE CONNECTOR SALES DRAWING	DOCUMENT NO. SD-75791-001	SHEET NO. 1 OF 2

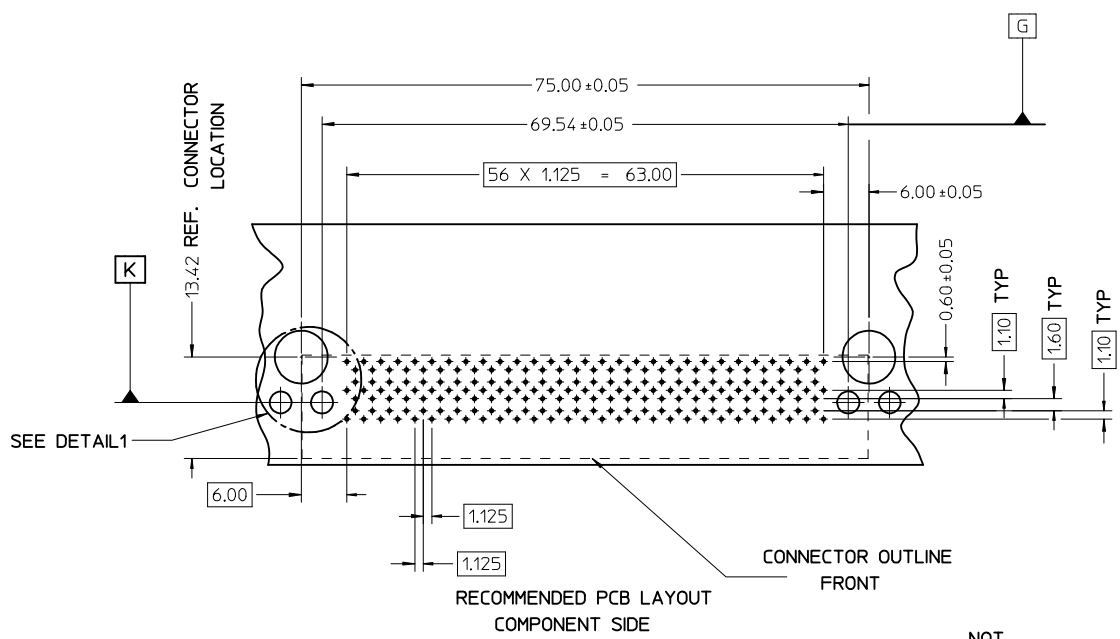
ANGULAR ±1/2°  
DRAFT WHERE APPLICABLE  
MUST REMAIN  
WITHIN DIMENSIONS

MATERIAL NO.  
**SEE TABLE**

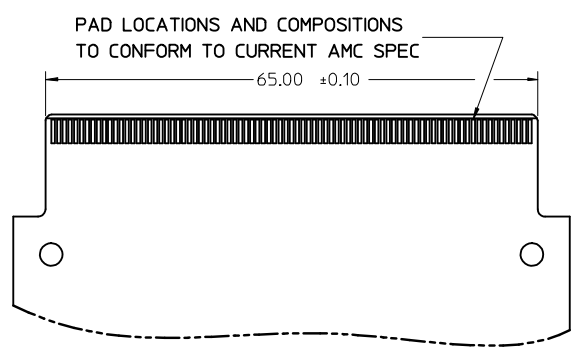
THIS DRAWING CONTAINS INFORMATION THAT IS PROPRIETARY TO MOLEX INCORPORATED AND SHOULD NOT BE USED WITHOUT WRITTEN PERMISSION



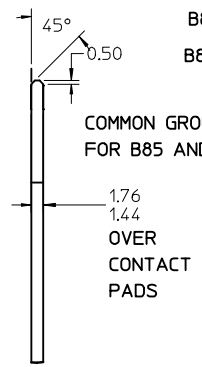
DETAIL1  
SCALE 6:1



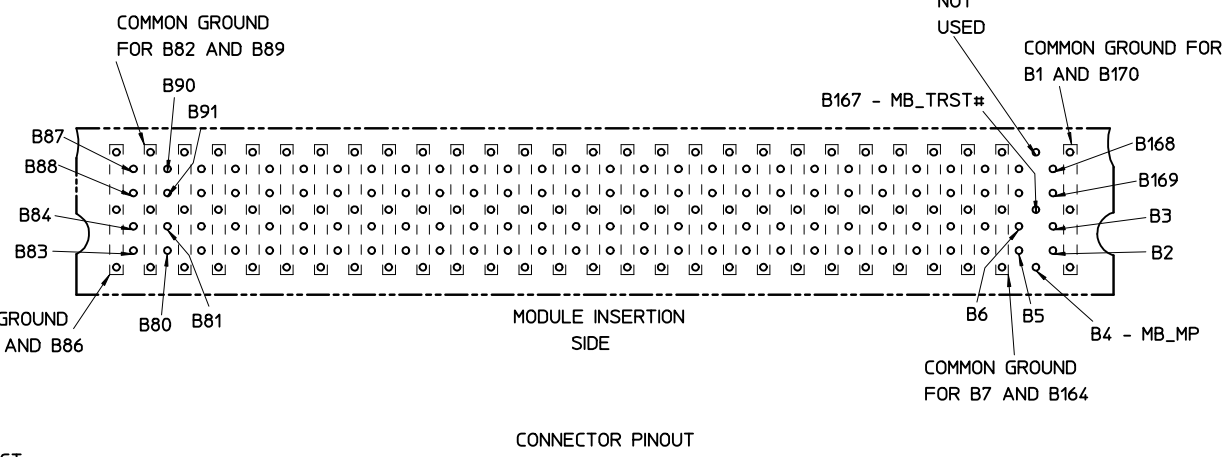
CONNECTOR OUTLINE FRONT  
RECOMMENDED PCB LAYOUT  
COMPONENT SIDE



PARTIAL1  
SCALE 2:1

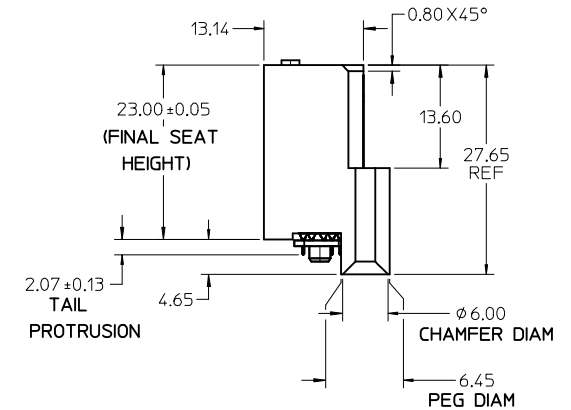
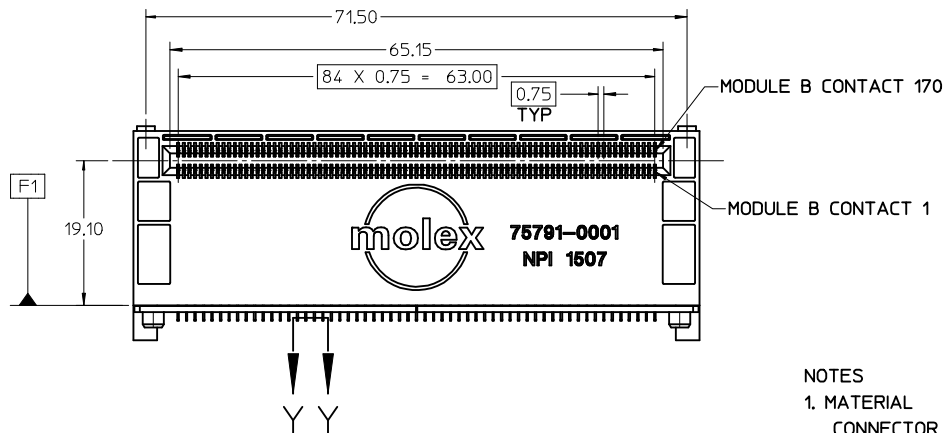
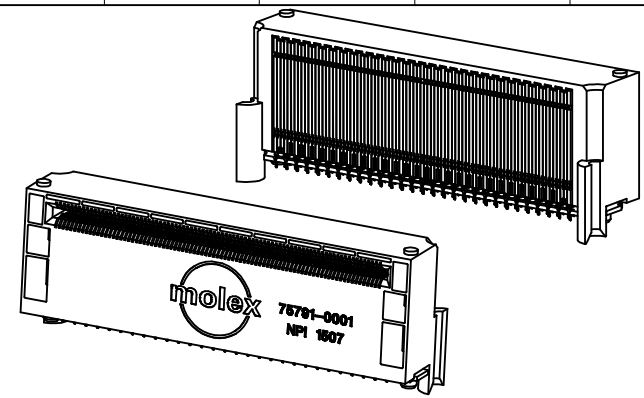
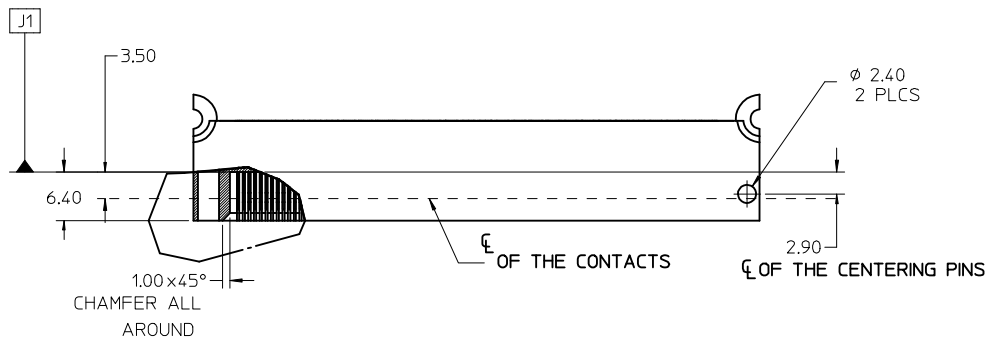


PARTIAL2  
SCALE 2:1



CONNECTOR PINOUT

SEE SHEET 1 EC NO: UCP2016-3056 DRWNSVANG01 CHKD:MCAIN APPR:DMCGOWAN	2016/02/02 2016/02/02 2016/02/12	QUALITY SYMBOLS 	GENERAL TOLERANCES (UNLESS SPECIFIED) <table border="1"> <tr> <th></th> <th>mm</th> <th>INCH</th> </tr> <tr> <td>4 PLACES</td> <td>± .005</td> <td>± .0005</td> </tr> <tr> <td>3 PLACES</td> <td>± .005</td> <td>± .0005</td> </tr> <tr> <td>2 PLACES</td> <td>± 0.13</td> <td>± .010</td> </tr> <tr> <td>1 PLACE</td> <td>± 0.25</td> <td>± .010</td> </tr> <tr> <td>0 PLACE</td> <td>±</td> <td>±</td> </tr> </table>		mm	INCH	4 PLACES	± .005	± .0005	3 PLACES	± .005	± .0005	2 PLACES	± 0.13	± .010	1 PLACE	± 0.25	± .010	0 PLACE	±	±	DIMENSION STYLE <b>MM ONLY</b> DRAWN BY DATE SVANG01 2016/02/02 CHECKED BY DATE MCAIN 2016/02/02 APPROVED BY DATE	SCALE <b>2:1</b> DESIGN UNITS <b>METRIC</b> THIRD ANGLE PROJECTION	TITLE <b>ADVANCED MC B+ TALL          STYLE CONNECTOR SALES          DRAWING</b> <b>molex</b>
		mm	INCH																					
	4 PLACES	± .005	± .0005																					
	3 PLACES	± .005	± .0005																					
2 PLACES	± 0.13	± .010																						
1 PLACE	± 0.25	± .010																						
0 PLACE	±	±																						
MATERIAL NO. <b>SEE TABLE</b>	DOCUMENT NO. <b>SD-75791-001</b>	SHEET NO. <b>2 OF 2</b>																						
DRAFT WHERE APPLICABLE MUST REMAIN WITHIN DIMENSIONS			THIS DRAWING CONTAINS INFORMATION THAT IS PROPRIETARY TO MOLEX INCORPORATED AND SHOULD NOT BE USED WITHOUT WRITTEN PERMISSION																					
SIZE																								

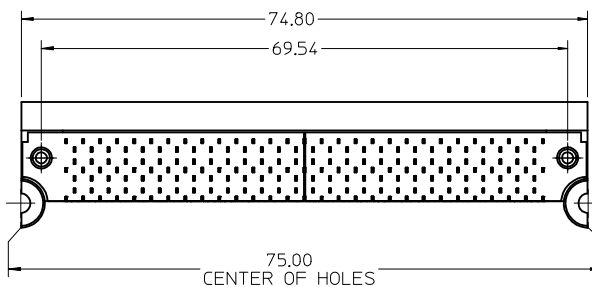


**NOTES**

- MATERIAL**  
CONNECTOR HOUSING: GLASS FILLED LCP, 94 V-0, COLOR BLACK  
OVERMOLDING ON TERMINAL: GLASS FILLED LCP, COLOR: BLACK  
TERMINALS: COPPER ALLOY, SPRING TEMPER
- TERMINAL FINISH: CONTACT AREA: 0.75μm MIN. HARD GOLD OVER 1.25μm MIN. NICKEL.**  
75791-0001 COMPLIANT AREA: 0.75-150μm TIN OVER 0.75-150μm NICKEL  
75791-0002 COMPLIANT AREA: 0.75-150μm 90/10 TIN LEAD OVER 0.75-150μm NICKEL
- REFER TO PS-75800-001 PRODUCT SPEC FOR ALL ELECTRICAL, MECHANICAL AND ENVIRONMENTAL SPECIFICATIONS.
- REFER TO PK-75800-203 AND PK-70873-560 FOR ALL PACKAGING SPECIFICATIONS.
- REFER TO AS-75800-001 FOR BOARD APPLICATION INFORMATION.
- DATE CODE AND PART NUMBER TO BE LASER ETCHED OR APPLIED BY A LABEL. INFO TO INCLUDE PART NUMBER, MANUFACTURING FACILITY AND DATE CODE IN THE FORMAT OF WEEK AND LAST TWO DIGITS OF THE YEAR, WWYY.



**SECTION Y-Y**  
TERMINAL TAIL  
CROSS SECTION



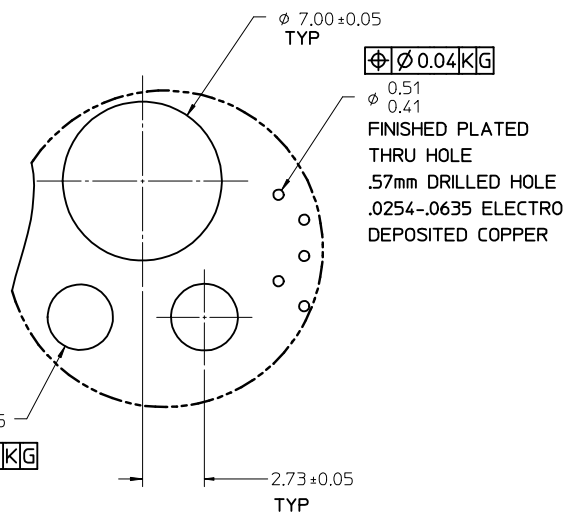
PART NUMBER	COMPLIANT TAIL PLATING
75791-0001	TIN
75791-0002	90/10 TIN LEAD

CORRECT PK SPEC EC NO: UCP2016-3056 DRWNSVANG01 2016/02/02 CHKD:MCAIN 2016/02/02 APPR:DMCGOWAN 2016/02/12	QUALITY SYMBOLS	GENERAL TOLERANCES (UNLESS SPECIFIED)	DIMENSION STYLE	SCALE	DESIGN UNITS	THIRD ANGLE PROJECTION
	▽=0	mm INCH	MM ONLY	2:1	METRIC	
	▽=0					
	▽=0					

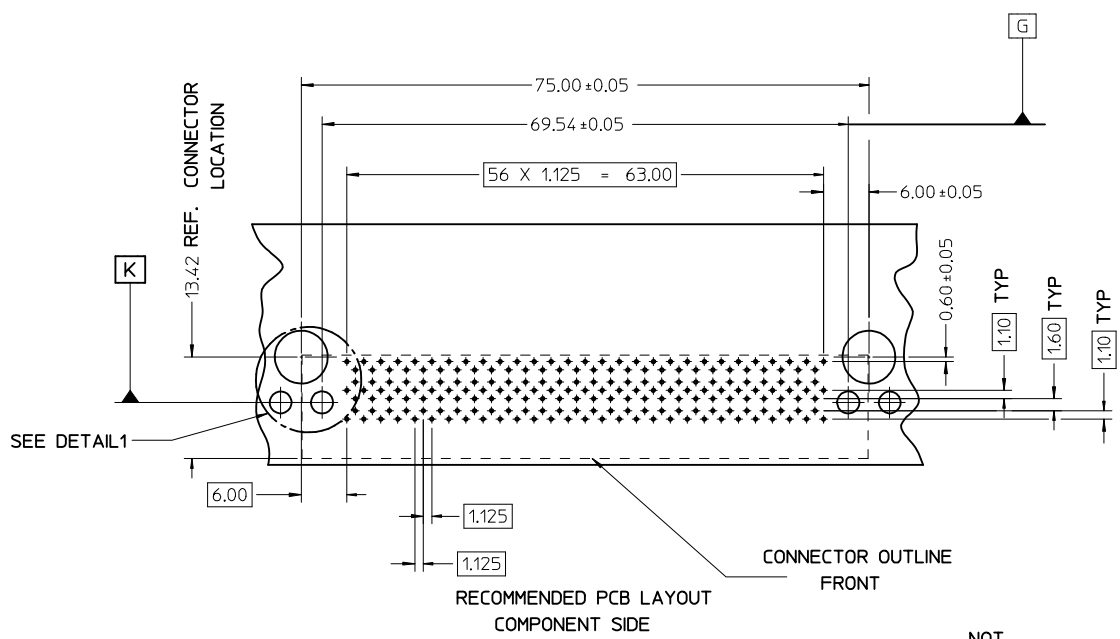
4 PLACES ± --- ± ---	DRAWN BY SVANG01	DATE 2016/02/02
3 PLACES ± --- ± .005	CHECKED BY MCAIN	DATE 2016/02/02
2 PLACES ± 0.13 ± .010	APPROVED BY	DATE
1 PLACE ± 0.25 ± ---		
0 PLACE ± ±		
ANGULAR ±1/2°		
DRAFT WHERE APPLICABLE MUST REMAIN WITHIN DIMENSIONS		

MATERIAL NO.	DOCUMENT NO.	SHEET NO.
SEE TABLE	SD-75791-001	1 OF 2
THIS DRAWING CONTAINS INFORMATION THAT IS PROPRIETARY TO MOLEX INCORPORATED AND SHOULD NOT BE USED WITHOUT WRITTEN PERMISSION		

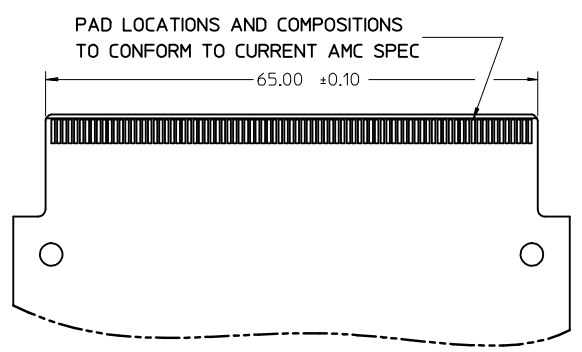
ADVANCED MC B+ TALL STYLE CONNECTOR SALES DRAWING	
<b>molex</b>	



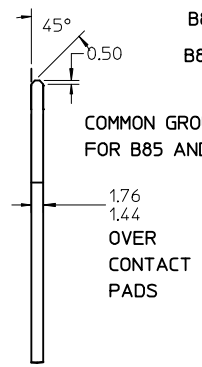
DETAIL1  
SCALE 6:1



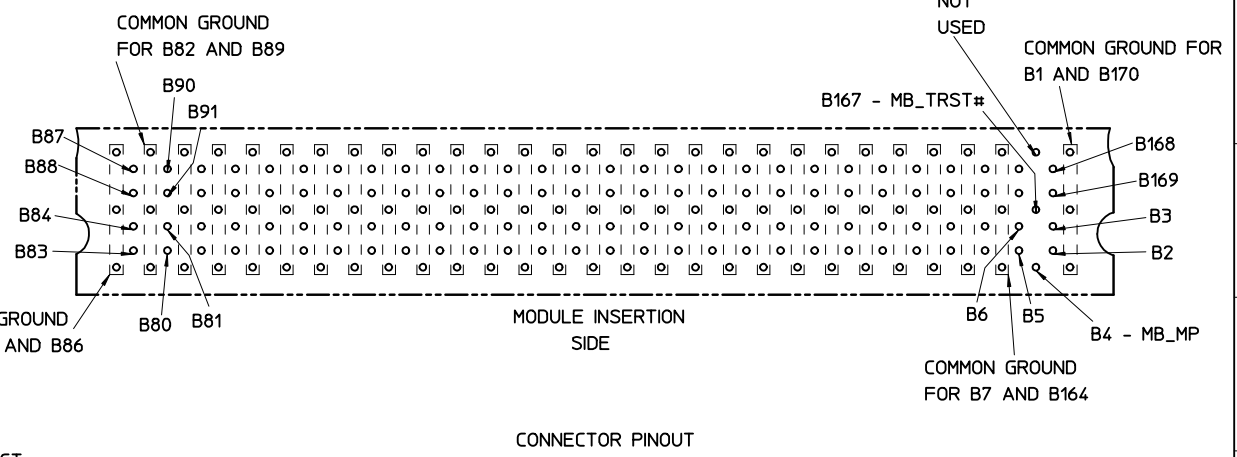
CONNECTOR OUTLINE FRONT  
RECOMMENDED PCB LAYOUT  
COMPONENT SIDE



PARTIAL1  
SCALE 2:1



PARTIAL2  
SCALE 2:1



CONNECTOR PINOUT

<b>SEE SHEET 1</b> EC NO: UCP2016-3056 DRWNSVANG01 CHKD:MCAIN APPR:DMCGOWAN	2016/02/02 2016/02/02 2016/02/12	QUALITY SYMBOLS 	GENERAL TOLERANCES (UNLESS SPECIFIED) <table border="1"> <thead> <tr> <th></th> <th>mm</th> <th>INCH</th> </tr> </thead> <tbody> <tr> <td>4 PLACES</td> <td>± .005</td> <td>± .0005</td> </tr> <tr> <td>3 PLACES</td> <td>± .005</td> <td>± .0005</td> </tr> <tr> <td>2 PLACES</td> <td>± 0.13</td> <td>± .010</td> </tr> <tr> <td>1 PLACE</td> <td>± 0.25</td> <td>± .010</td> </tr> <tr> <td>0 PLACE</td> <td>±</td> <td>±</td> </tr> </tbody> </table>		mm	INCH	4 PLACES	± .005	± .0005	3 PLACES	± .005	± .0005	2 PLACES	± 0.13	± .010	1 PLACE	± 0.25	± .010	0 PLACE	±	±	DIMENSION STYLE <b>MM ONLY</b> DRAWN BY DATE SVANG01 2016/02/02 CHECKED BY DATE MCAIN 2016/02/02 APPROVED BY DATE	SCALE <b>2:1</b> DESIGN UNITS <b>METRIC</b> THIRD ANGLE PROJECTION	TITLE <b>ADVANCED MC B+ TALL          STYLE CONNECTOR SALES          DRAWING</b> <b>molex</b>
		mm	INCH																					
	4 PLACES	± .005	± .0005																					
	3 PLACES	± .005	± .0005																					
2 PLACES	± 0.13	± .010																						
1 PLACE	± 0.25	± .010																						
0 PLACE	±	±																						
MATERIAL NO. <b>SEE TABLE</b>		DOCUMENT NO. <b>SD-75791-001</b>		SHEET NO. <b>2 OF 2</b>																				
DRAFT WHERE APPLICABLE MUST REMAIN WITHIN DIMENSIONS			THIS DRAWING CONTAINS INFORMATION THAT IS PROPRIETARY TO MOLEX INCORPORATED AND SHOULD NOT BE USED WITHOUT WRITTEN PERMISSION																					
SIZE C																								