

ABBREVIATION	DESCRIPTION	COLOR	MATERIAL
A-BLACK	HOUSING, KEYING OPTION A	BLACK	SPS/NYLON GF20
B-LIGHT GRAY	HOUSING, KEYING OPTION B	LIGHT GRAY	SPS/NYLON GF20
C-BROWN	HOUSING, KEYING OPTION C	BROWN	SPS/NYLON GF20
D-GREEN	HOUSING, KEYING OPTION D	GREEN	SPS/NYLON GF20
A-YELLOW	HOUSING, KEYING OPTION A	YELLOW	SPS/NYLON GF20
C-DARK GRAY	HOUSING, KEYING OPTION C	DARK GRAY	SPS/NYLON GF20
D-STONE GRAY	HOUSING, KEYING OPTION D	STONE GRAY	SPS/NYLON GF20
A-LIGHT BLUE	HOUSING, KEYING OPTION A	LIGHT BLUE	SPS/NYLON GF 20
GCO	GROMMET CAP (OPEN)	BLACK	SPS/NYLON GF20
GCP	GROMMET CAP (PLUGGED)	BLACK	SPS/NYLON GF20
PLR	PLR	NATURAL	SPS/NYLON GF20
M-R	MAT SEAL	RUST RED	INHERENTLY LUBRICATED SILICONE
M-B	MAT SEAL	LIGHT BLUE	INHERENTLY LUBRICATED SILICONE

FOR ADDITIONAL INFORMATION SEE SD-33482-0001

ASSEMBLY DESCRIPTION	ASSEMBLY PART NUMBER	COMPONENT				BLOCKED TERMINALS										STATUS	COMMENT	OPTIONAL ATTACHMENTS SOLD SEPARATELY										
		THE PRESENCE OF AN ABBREVIATION INDICATES THE PRESENCE OF THAT COMPONENT				CAVITY WITH A NUMBER INDICATES BLOCKED TERMINAL POSITION CAVITY WITHOUT A NUMBER INDICATES OPEN TERMINAL POSITION												BACKSHELL WITH RIBS	BACKSHELL WITHOUT RIBS	90° ADAPTOR WITH RIBS	90° ADAPTOR WITHOUT RIBS							
		HOUSING KEY/COLOR	GROMMET CAP	PLR	MAT SEAL																							
MX150 ASSY BLD 2X10 BK A/20	334822001	A-BLACK	GCO	PLR	M-R	-	-	-	-	-	-	-	-	-	-	-	-	-	-	-	-	-	OBSOLETE	SEE 334822101	34950-2011	34950-2021	34951-1631	34951-1641
MX150 ASSY BLD 2X10 LG B/20	334822002	B-LIGHT GRAY	GCO	PLR	M-R	-	-	-	-	-	-	-	-	-	-	-	-	-	-	-	-	-	OBSOLETE	SEE 334822102	34950-2011	34950-2021	34951-1631	34951-1641
MX150 ASSY BLD 2X10 BR C/20	334822003	C-BROWN	GCO	PLR	M-R	-	-	-	-	-	-	-	-	-	-	-	-	-	-	-	-	-	OBSOLETE	SEE 334822154	34950-2011	34950-2021	34951-1631	34951-1641
MX150 ASSY BLD 2X10 GR D/20	334822004	D-GREEN	GCO	PLR	M-R	-	-	-	-	-	-	-	-	-	-	-	-	-	-	-	-	-	OBSOLETE	SEE 334822155	34950-2011	34950-2021	34951-1631	34951-1641
MX150 ASSY BLD 2X10 BK A/19	334822006	A-BLACK	GCP	PLR	M-R	-	-	-	-	-	-	-	-	-	-	-	-	-	-	-	-	-	OBSOLETE	SEE 334822106	34950-2011	34950-2021	34951-1631	34951-1641
MX150 ASSY BLD 2X10 BK A/19	334822007	A-BLACK	GCP	PLR	M-R	-	-	-	-	-	-	-	-	-	-	-	-	-	-	-	-	20	OBSOLETE	SEE 334822107	34950-2011	34950-2021	34951-1631	34951-1641
MX150 ASSY BLD 2X10 BK A/12	334822008	A-BLACK	GCP	PLR	M-R	-	-	-	4	5	6	7	-	-	-	-	-	-	-	-	-	-	OBSOLETE	SEE 334822108	34950-2011	34950-2021	34951-1631	34951-1641
MX150 ASSY BLD 2X10 BK A/18	334822009	A-BLACK	GCP	PLR	M-R	-	-	-	-	-	-	7	-	-	-	-	-	-	-	-	-	-	OBSOLETE	SEE 334822109	34950-2011	34950-2021	34951-1631	34951-1641
MX150 ASSY BLD 2X10 BK A/16	334822010	A-BLACK	GCP	PLR	M-R	-	-	-	-	-	-	-	-	-	-	-	-	-	-	-	-	10	OBSOLETE	SEE 334822110	34950-2011	34950-2021	34951-1631	34951-1641
MX150 ASSY BLD 2X10 BK A/17	334822011	A-BLACK	GCP	PLR	M-R	11	12	-	-	-	-	-	-	-	-	-	-	-	-	-	-	20	OBSOLETE	SEE 334822111	34950-2011	34950-2021	34951-1631	34951-1641
MX150 ASSY BLD 2X10 BK A/14	334822012	A-BLACK	GCP	PLR	M-R	1	2	-	-	-	-	-	-	-	-	-	-	-	-	-	-	10	OBSOLETE	SEE 334822112	34950-2011	34950-2021	34951-1631	34951-1641
MX150 ASSY BLD 2X10 BK A/12	334822013	A-BLACK	GCP	PLR	M-R	11	12	-	-	-	-	-	-	-	-	-	-	-	-	-	-	20	OBSOLETE	SEE 334822113	34950-2011	34950-2021	34951-1631	34951-1641
MX150 ASSY BLD 2X10 BK A/14	334822014	A-BLACK	GCP	PLR	M-R	-	-	3	4	5	-	-	-	-	-	-	-	-	-	-	-	-	OBSOLETE	SEE 334822114	34950-2011	34950-2021	34951-1631	34951-1641
MX150 ASSY BLD 2X10 BK A/16	334822015	A-BLACK	GCP	PLR	M-R	-	-	3	4	5	-	-	-	-	-	-	-	-	-	-	-	-	OBSOLETE	SEE 334822115	34950-2011	34950-2021	34951-1631	34951-1641
MX150 ASSY BLD 2X10 BK A/16	334822016	A-BLACK	GCP	PLR	M-R	-	-	-	-	-	-	-	-	-	-	-	-	-	-	-	-	-	OBSOLETE	SEE 334822116	34950-2011	34950-2021	34951-1631	34951-1641
MX150 ASSY BLD 2X10 BK A/17	334822017	A-BLACK	GCP	PLR	M-R	-	-	-	-	-	-	-	-	-	-	-	-	-	-	-	-	-	OBSOLETE	SEE 334822117	34950-2011	34950-2021	34951-1631	34951-1641
MX150 ASSY BLD 2X10 BK A/15	334822018	A-BLACK	GCP	PLR	M-R	-	-	-	-	-	-	-	-	-	-	-	-	-	-	-	-	10	OBSOLETE	SEE 334822118	34950-2011	34950-2021	34951-1631	34951-1641

ASSEMBLY DESCRIPTION	ASSEMBLY PART NUMBER	COMPONENT				BLOCKED TERMINALS										STATUS	COMMENT	OPTIONAL ATTACHMENTS SOLD SEPARATELY												
		THE PRESENCE OF AN ABBREVIATION INDICATES THE PRESENCE OF THAT COMPONENT				CAVITY WITH A NUMBER INDICATES BLOCKED TERMINAL POSITION CAVITY WITHOUT A NUMBER INDICATES OPEN TERMINAL POSITION												BACKSHELL WITH RIBS	BACKSHELL WITHOUT RIBS	90° ADAPTOR WITH RIBS	90° ADAPTOR WITHOUT RIBS									
		HOUSING KEY/COLOR	GROMMET CAP	PLR	MAT SEAL	1	2	3	4	5	6	7	8	9	10							11	12	13	14	15	16	17	18	19
MX150 ASSY BLD 2X10 BK A/12	334822046	A-BLACK	GCP	PLR	M-R	1	-	-	-	-	-	-	-	-	-	-	-	-	-	-	-	-	-	-	OBSOLETE	SEE 334822146	34950-2011	34950-2021	34951-1631	34951-1641
MX150 ASSY BLD 2X10 BK A/10	334822047	A-BLACK	GCP	PLR	M-R	-	-	3	4	5	-	-	-	-	-	-	-	-	-	-	-	-	10	OBSOLETE	SEE 334822147	34950-2011	34950-2021	34951-1631	34951-1641	
MX150 ASSY BLD 2X10 BK A/2	334822048	A-BLACK	GCP	PLR	M-R	1	2	3	4	5	6	7	8	9	-	-	-	-	-	-	-	-	-	-	OBSOLETE	SEE 334822148	34950-2011	34950-2021	34951-1631	34951-1641
MX150 ASSY BLD 2X10 BK A/11	334822049	A-BLACK	GCP	PLR	M-R	-	-	3	4	5	6	-	8	9	-	-	-	-	-	-	-	-	-	-	OBSOLETE	SEE 334822149	34950-2011	34950-2021	34951-1631	34951-1641
MX150 ASSY BLD 2X10 BK A/4	334822050	A-BLACK	GCP	PLR	M-R	1	2	3	4	5	6	-	-	-	-	-	-	-	-	-	-	-	-	-	OBSOLETE	SEE 334822150	34950-2011	34950-2021	34951-1631	34951-1641
MX150 ASSY BLD 2X10 BK A/10	334822051	A-BLACK	GCP	PLR	M-R	-	-	-	-	-	-	-	-	-	-	-	-	-	-	-	-	-	-	-	OBSOLETE	SEE 334822151	34950-2011	34950-2021	34951-1631	34951-1641
MX150 ASSY BLD 2X10 BK A/0	334822052	A-BLACK	GCP	PLR	M-R	1	2	3	4	5	6	7	8	9	10	-	-	-	-	-	-	-	-	-	OBSOLETE	SEE 334822152	34950-2011	34950-2021	34951-1631	34951-1641
MX150 ASSY BLD 2X10 BK A/14	334822053	A-BLACK	GCP	PLR	M-R	-	-	3	-	-	-	-	8	9	-	-	-	-	-	-	-	-	-	-	OBSOLETE	SEE 334822153	34950-2011	34950-2021	34951-1631	34951-1641
MX150 ASSY BLD 2X10 DG C/20	334822054	C-DARK GRAY	GCO	PLR	M-R	-	-	-	-	-	-	-	-	-	-	-	-	-	-	-	-	-	-	-	OBSOLETE	SEE 334822154	34950-2011	34950-2021	34951-1631	34951-1641
MX150 ASSY BLD 2X10 SG D/20	334822055	D-STONE GRAY	GCO	PLR	M-R	-	-	-	-	-	-	-	-	-	-	-	-	-	-	-	-	-	-	-	OBSOLETE	SEE 334822155	34950-2011	34950-2021	34951-1631	34951-1641
MX150 ASSY BLD 2X10 LG B/16	334822056	B-LIGHT GRAY	GCP	PLR	M-R	-	-	3	-	5	-	-	-	9	10	-	-	-	-	-	-	-	-	-	OBSOLETE	SEE 334822156	34950-2011	34950-2021	34951-1631	34951-1641
MX150 ASSY BLD 2X10 LG B/5	334822057	B-LIGHT GRAY	GCP	PLR	M-R	-	-	3	4	5	-	-	-	9	10	-	-	-	-	-	-	-	-	-	OBSOLETE	SEE 334822157	34950-2011	34950-2021	34951-1631	34951-1641
MX150 ASSY BLD 2X10 LG B/12	334822058	B-LIGHT GRAY	GCP	PLR	M-R	-	-	3	-	5	-	-	-	9	10	-	-	-	-	-	-	-	-	-	OBSOLETE	SEE 334822158	34950-2011	34950-2021	34951-1631	34951-1641
MX150 ASSY BLD 2X10 LG B/11	334822059	B-LIGHT GRAY	GCP	PLR	M-R	-	-	3	4	5	6	-	8	9	10	-	-	-	-	-	-	-	-	-	OBSOLETE	SEE 334822159	34950-2011	34950-2021	34951-1631	34951-1641
MX150 ASSY BLD 2X10 BK A/10	334822060	A-BLACK	GCP	PLR	M-R	-	-	-	4	5	-	-	8	-	-	-	-	-	-	-	-	-	-	-	OBSOLETE	SEE 334822160	34950-2011	34950-2021	34951-1631	34951-1641
MX150 ASSY BLD 2X10 BK A/12	334822061	A-BLACK	GCP	PLR	M-R	-	-	-	4	5	-	-	8	-	-	-	-	-	-	-	-	-	-	-	OBSOLETE	SEE 334822161	34950-2011	34950-2021	34951-1631	34951-1641
MX150 ASSY BLD 2X10 YW A/9	334822062	A-YELLOW	GCP	PLR	M-R	-	-	3	-	-	6	7	8	9	10	-	-	-	-	-	-	-	-	-	OBSOLETE	SEE 334822162	34950-2011	34950-2021	34951-1631	34951-1641
MX150 ASSY BLD 2X10 YW A/11	334822063	A-YELLOW	GCP	PLR	M-R	-	-	3	-	-	6	7	8	9	10	-	-	-	-	-	-	-	-	-	OBSOLETE	SEE 334822163	34950-2011	34950-2021	34951-1631	34951-1641
MX150 ASSY BLD 2X10 YW A/15	334822064	A-YELLOW	GCP	PLR	M-R	-	-	3	-	-	-	7	-	-	10	-	-	-	-	-	-	-	-	-	OBSOLETE	SEE 334822164	34950-2011	34950-2021	34951-1631	34951-1641
MX150 ASSY BLD 2X10 YW A/2	334822065	A-YELLOW	GCP	PLR	M-R	-	-	3	4	5	6	7	8	9	10	-	-	-	-	-	-	-	-	-	OBSOLETE	SEE 334822165	34950-2011	34950-2021	34951-1631	34951-1641
MX150 ASSY BLD 2X10 YW A/7	334822066	A-YELLOW	GCP	PLR	M-R	-	-	3	4	5	6	7	8	9	10	-	-	-	-	-	-	-	-	-	OBSOLETE	SEE 334822166	34950-2011	34950-2021	34951-1631	34951-1641
MX150 ASSY BLD 2X10 YW A/14	334822067	A-YELLOW	GCP	PLR	M-R	-	-	3	-	-	-	7	8	9	10	-	-	-	-	-	-	-	-	-	OBSOLETE	SEE 334822167	34950-2011	34950-2021	34951-1631	34951-1641
MX150 ASSY BLD 2X10 BK A/12	334822068	A-BLACK	GCP	PLR	M-R	-	-	3	4	5	-	7	-	-	-	-	-	-	-	-	-	-	-	-	OBSOLETE	SEE 334822168	34950-2011	34950-2021	34951-1631	34951-1641
MX150 ASSY BLD 2X10 BK A/14	334822069	A-BLACK	GCP	PLR	M-R	-	-	-	-	-	-	7	-	-	10	-	-	-	-	-	-	-	-	-	OBSOLETE	SEE 334822169	34950-2011	34950-2021	34951-1631	34951-1641
MX150 ASSY BLD 2X10 BK A/11	334822070	A-BLACK	GCP	PLR	M-R	-	2	3	4	5	-	-	-	-	-	-	-	-	-	-	-	-	-	-	OBSOLETE	SEE 334822170	34950-2011	34950-2021	34951-1631	34951-1641
MX150 ASSY BLD 2X10 BK A/17	334822071	A-BLACK	GCP	PLR	M-R	-	-	-	-	-	-	-	-	-	-	-	-	-	-	-	-	-	-	-	OBSOLETE	SEE 334822171	34950-2011	34950-2021	34951-1631	34951-1641
MX150 ASSY BLD 2X10 BK A/9	334822072	A-BLACK	GCP	PLR	M-R	1	2	3	4	5	6	7	8	-	-	-	-	-	-	-	-	-	-	-	OBSOLETE	SEE 334822172	34950-2011	34950-2021	34951-1631	34951-1641

ASSEMBLY DESCRIPTION	ASSEMBLY PART NUMBER	COMPONENT				BLOCKED TERMINALS										STATUS	COMMENT	OPTIONAL ATTACHMENTS SOLD SEPARATELY					
		THE PRESENCE OF AN ABBREVIATION INDICATES THE PRESENCE OF THAT COMPONENT				CAVITY WITH A NUMBER INDICATES BLOCKED TERMINAL POSITION CAVITY WITHOUT A NUMBER INDICATES OPEN TERMINAL POSITION												BACKSHELL WITH RIBS	BACKSHELL WITHOUT RIBS	90° ADAPTOR WITH RIBS	90° ADAPTOR WITHOUT RIBS		
		HOUSING KEY/COLOR	GROMMET CAP	PLR	MAT SEAL	1	2	3	4	5	6	7	8	9	10							11	12
MX150 ASSY BLD 2X10 BK A/18	334822073	A-BLACK	GCP	PLR	M-R	-	-	-	-	-	-	-	8	-	-	OBSOLETE	SEE 334822173	34950-2011	34950-2021	34951-1631	34951-1641		
MX150 ASSY BLD 2X10 BK A/15	334822074	A-BLACK	GCP	PLR	M-R	1	-	-	-	-	-	-	8	-	10	OBSOLETE	SEE 334822174	34950-2011	34950-2021	34951-1631	34951-1641		
MX150 ASSY BLD 2X10 BK A/14	334822075	A-BLACK	GCP	PLR	M-R	1	-	-	-	-	-	-	8	9	-	OBSOLETE	SEE 334822175	34950-2011	34950-2021	34951-1631	34951-1641		
MX150 ASSY BLD 2X10 BK A/17	334822076	A-BLACK	GCP	PLR	M-R	-	-	-	-	-	-	-	-	-	10	OBSOLETE	SEE 334822176	34950-2011	34950-2021	34951-1631	34951-1641		
MX150 ASSY BLD 2X10 BK A/16	334822077	A-BLACK	GCP	PLR	M-R	-	-	-	-	-	-	-	-	-	-	OBSOLETE	SEE 334822177	34950-2011	34950-2021	34951-1631	34951-1641		
MX150 ASSY BLD 2X10 BK A/18	334822078	A-BLACK	GCP	PLR	M-R	-	-	-	4	-	-	-	-	-	-	OBSOLETE	SEE 334822178	34950-2011	34950-2021	34951-1631	34951-1641		
MX150 ASSY BLD 2X10 BK A/6	334822079	A-BLACK	GCP	PLR	M-R	-	-	-	4	5	6	7	8	9	10	OBSOLETE	SEE 334822179	34950-2011	34950-2021	34951-1631	34951-1641		
MX150 ASSY BLD 2X10 BK A/11	334822080	A-BLACK	GCP	PLR	M-R	1	-	-	-	-	-	-	8	-	10	OBSOLETE	SEE 334822180	34950-2011	34950-2021	34951-1631	34951-1641		
MX150 ASSY BLD 2X10 BK A/9	334822081	A-BLACK	GCP	PLR	M-R	1	-	3	4	-	-	-	8	9	-	OBSOLETE	SEE 334822181	34950-2011	34950-2021	34951-1631	34951-1641		
MX150 ASSY BLD 2X10 BK A/8	334822082	A-BLACK	GCP	PLR	M-R	1	-	3	4	-	-	-	8	9	10	OBSOLETE	SEE 334822182	34950-2011	34950-2021	34951-1631	34951-1641		
MX150 ASSY BLD 2X10 BK A/13	334822083	A-BLACK	GCP	PLR	M-R	1	-	-	-	-	-	-	8	9	10	OBSOLETE	SEE 334822183	34950-2011	34950-2021	34951-1631	34951-1641		
MX150 ASSY BLD 2X10 BK A/17	334822084	A-BLACK	GCP	PLR	M-R	1	-	-	-	-	-	-	-	9	-	OBSOLETE	SEE 334822184	34950-2011	34950-2021	34951-1631	34951-1641		
MX150 ASSY BLD 2X10 BK A/18	334822085	A-BLACK	GCP	PLR	M-R	1	-	-	-	-	-	-	-	-	-	OBSOLETE	SEE 334822185	34950-2011	34950-2021	34951-1631	34951-1641		
MX150 ASSY BLD 2X10 BK A/14	334822086	A-BLACK	GCP	PLR	M-R	-	2	3	-	5	-	-	-	-	-	OBSOLETE	SEE 334822186	34950-2011	34950-2021	34951-1631	34951-1641		
MX150 ASSY BLD 2X10 BK A/16	334822087	A-BLACK	GCP	PLR	M-R	1	-	-	-	-	-	-	-	-	-	OBSOLETE	SEE 334822187	34950-2011	34950-2021	34951-1631	34951-1641		
MX150 ASSY BLD 2X10 BK A/11	334822088	A-BLACK	GCP	PLR	M-R	1	-	-	-	5	6	7	8	-	-	OBSOLETE	SEE 334822188	34950-2011	34950-2021	34951-1631	34951-1641		
MX150 ASSY BLD 2X10 BK A/5	334822089	A-BLACK	GCP	PLR	M-R	1	2	3	4	5	6	7	8	9	-	OBSOLETE	SEE 334822189	34950-2011	34950-2021	34951-1631	34951-1641		
MX150 ASSY BLD 2X10 BK A/2	334822090	A-BLACK	GCP	PLR	M-R	1	2	3	4	5	6	7	8	9	10	OBSOLETE	SEE 334822190	34950-2011	34950-2021	34951-1631	34951-1641		
MX150 ASSY BLD 2X10 BK A/20	334822101	A-BLACK	GCO	PLR	M-B	-	-	-	-	-	-	-	-	-	-	SALEABLE		34950-2011	34950-2021	34951-1631	34951-1641		
MX150 ASSY BLD 2X10 LG B/20	334822102	B-LIGHT GRAY	GCO	PLR	M-B	-	-	-	-	-	-	-	-	-	-	SALEABLE		34950-2011	34950-2021	34951-1631	34951-1641		
MX150 ASSY BLD 2X10 BR C/20	334822103	C-BROWN	GCO	PLR	M-B	-	-	-	-	-	-	-	-	-	-	NOT RECOMMENDED	SEE 334822154	34950-2011	34950-2021	34951-1631	34951-1641		
MX150 ASSY BLD 2X10 GR D/20	334822104	D-GREEN	GCO	PLR	M-B	-	-	-	-	-	-	-	-	-	-	NOT RECOMMENDED	SEE 334822155	34950-2011	34950-2021	34951-1631	34951-1641		
MX150 ASSY BLD 2X10 BK A/19	334822106	A-BLACK	GCP	PLR	M-B	-	-	-	-	-	-	-	-	-	-	SALEABLE		34950-2011	34950-2021	34951-1631	34951-1641		
MX150 ASSY BLD 2X10 BK A/19	334822107	A-BLACK	GCP	PLR	M-B	-	-	-	-	-	-	-	-	-	-	SALEABLE		34950-2011	34950-2021	34951-1631	34951-1641		
MX150 ASSY BLD 2X10 BK A/12	334822108	A-BLACK	GCP	PLR	M-B	-	-	-	4	5	6	7	-	-	-	SALEABLE		34950-2011	34950-2021	34951-1631	34951-1641		
MX150 ASSY BLD 2X10 BK A/18	334822109	A-BLACK	GCP	PLR	M-B	-	-	-	-	-	-	7	-	-	-	SALEABLE		34950-2011	34950-2021	34951-1631	34951-1641		
MX150 ASSY BLD 2X10 BK A/16	334822110	A-BLACK	GCP	PLR	M-B	-	-	-	-	-	-	-	-	-	10	SALEABLE		34950-2011	34950-2021	34951-1631	34951-1641		

ASSEMBLY DESCRIPTION	ASSEMBLY PART NUMBER	COMPONENT				BLOCKED TERMINALS										STATUS	COMMENT	OPTIONAL ATTACHMENTS SOLD SEPARATELY			
		THE PRESENCE OF AN ABBREVIATION INDICATES THE PRESENCE OF THAT COMPONENT				CAVITY WITH A NUMBER INDICATES BLOCKED TERMINAL POSITION CAVITY WITHOUT A NUMBER INDICATES OPEN TERMINAL POSITION												BACKSHELL WITH RIBS	BACKSHELL WITHOUT RIBS	90° ADAPTOR WITH RIBS	90° ADAPTOR WITHOUT RIBS
		HOUSING KEY/COLOR	GROMMET CAP	PLR	MAT SEAL	1	2	3	4	5	6	7	8	9	10						
MX150 ASSY BLD 2X10 BK A/7	334822138	A-BLACK	GCP	PLR	M-B	1	2	3	4	5	6	7	8	9	10	SALEABLE		34950-2011	34950-2021	34951-1631	34951-1641
						-	12	-	-	-	-	17	-	19	-						
MX150 ASSY BLD 2X10 BK A/9	334822139	A-BLACK	GCP	PLR	M-B	1	2	3	4	5	6	7	8	-	10	SALEABLE		34950-2011	34950-2021	34951-1631	34951-1641
						-	-	-	-	-	-	17	-	19	-						
MX150 ASSY BLD 2X10 BK A/17	334822140	A-BLACK	GCP	PLR	M-B	-	-	-	-	-	-	7	-	-	-	SALEABLE		34950-2011	34950-2021	34951-1631	34951-1641
						-	-	-	-	-	-	17	-	-	20						
MX150 ASSY BLD 2X10 YW A/20	334822141	A-YELLOW	GCO	PLR	M-B	-	-	-	-	-	-	-	-	-	-	SALEABLE		34950-2011	34950-2021	34951-1631	34951-1641
						-	-	-	-	-	-	-	-	-	-						
MX150 ASSY BLD 2X10 BK A/15	334822142	A-BLACK	GCP	PLR	M-B	-	-	-	-	-	-	-	-	-	10	SALEABLE		34950-2011	34950-2021	34951-1631	34951-1641
						-	-	-	14	-	-	17	18	19	-						
MX150 ASSY BLD 2X10 BK A/15	334822143	A-BLACK	GCP	PLR	M-B	-	2	-	4	-	-	-	-	-	-	SALEABLE		34950-2011	34950-2021	34951-1631	34951-1641
						11	12	-	14	-	-	-	-	-	-						
MX150 ASSY BLD 2X10 BK A/18	334822144	A-BLACK	GCP	PLR	M-B	-	-	-	-	-	-	-	-	-	-	SALEABLE		34950-2011	34950-2021	34951-1631	34951-1641
						-	-	-	-	-	-	-	18	19	-						
MX150 ASSY BLD 2X10 BK A/18	334822145	A-BLACK	GCP	PLR	M-B	-	-	-	-	-	-	-	-	9	10	SALEABLE		34950-2011	34950-2021	34951-1631	34951-1641
						-	-	-	-	-	-	-	-	-	-						
MX150 ASSY BLD 2X10 BK A/12	334822146	A-BLACK	GCP	PLR	M-B	1	-	-	-	-	-	-	-	-	-	SALEABLE		34950-2011	34950-2021	34951-1631	34951-1641
						-	12	-	-	15	16	17	18	19	20						
MX150 ASSY BLD 2X10 BK A/10	334822147	A-BLACK	GCP	PLR	M-B	-	-	3	4	5	-	-	-	-	10	SALEABLE		34950-2011	34950-2021	34951-1631	34951-1641
						-	-	13	14	15	-	17	18	19	-						
MX150 ASSY BLD 2X10 BK A/2	334822148	A-BLACK	GCP	PLR	M-B	1	2	3	4	5	6	7	8	9	-	SALEABLE		34950-2011	34950-2021	34951-1631	34951-1641
						11	12	13	14	15	16	-	18	19	20						
MX150 ASSY BLD 2X10 BK A/11	334822149	A-BLACK	GCP	PLR	M-B	-	-	3	4	5	6	-	8	9	-	SALEABLE		34950-2011	34950-2021	34951-1631	34951-1641
						-	-	-	-	-	-	-	18	19	20						
MX150 ASSY BLD 2X10 BK A/4	334822150	A-BLACK	GCP	PLR	M-B	1	2	3	4	5	6	-	-	-	-	SALEABLE		34950-2011	34950-2021	34951-1631	34951-1641
						11	12	13	14	15	16	17	18	19	20						
MX150 ASSY BLD 2X10 BK A/10	334822151	A-BLACK	GCP	PLR	M-B	-	-	-	-	-	-	-	-	-	-	SALEABLE		34950-2011	34950-2021	34951-1631	34951-1641
						11	12	13	14	15	16	17	18	19	20						
MX150 ASSY BLD 2X10 BK A/0	334822152	A-BLACK	GCP	PLR	M-B	1	2	3	4	5	6	7	8	9	10	SALEABLE		34950-2011	34950-2021	34951-1631	34951-1641
						11	12	13	14	15	16	17	18	19	20						
MX150 ASSY BLD 2X10 BK A/14	334822153	A-BLACK	GCP	PLR	M-B	-	-	3	-	-	-	-	8	9	-	SALEABLE		34950-2011	34950-2021	34951-1631	34951-1641
						-	-	-	-	-	-	-	18	19	20						
MX150 ASSY BLD 2X10 DG C/20	334822154	C-DARK GRAY	GCO	PLR	M-B	-	-	-	-	-	-	-	-	-	-	SALEABLE		34950-2011	34950-2021	34951-1631	34951-1641
						-	-	-	-	-	-	-	-	-	-						
MX150 ASSY BLD 2X10 SG D/20	334822155	D-STONE GRAY	GCO	PLR	M-B	-	-	-	-	-	-	-	-	-	-	SALEABLE		34950-2011	34950-2021	34951-1631	34951-1641
						-	-	-	-	-	-	-	-	-	-						
MX150 ASSY BLD 2X10 LG B/16	334822156	B-LIGHT GRAY	GCP	PLR	M-B	-	-	3	-	5	-	-	-	9	10	SALEABLE		34950-2011	34950-2021	34951-1631	34951-1641
						-	-	-	-	-	-	-	-	-	-						
MX150 ASSY BLD 2X10 LG B/5	334822157	B-LIGHT GRAY	GCP	PLR	M-B	-	-	3	4	5	-	-	-	9	10	SALEABLE		34950-2011	34950-2021	34951-1631	34951-1641
						11	12	13	14	15	16	17	18	19	20						
MX150 ASSY BLD 2X10 LG B/12	334822158	B-LIGHT GRAY	GCP	PLR	M-B	-	-	3	-	5	-	-	-	9	10	SALEABLE		34950-2011	34950-2021	34951-1631	34951-1641
						11	12	13	14	-	-	-	-	-	-						
MX150 ASSY BLD 2X10 LG B/11	334822159	B-LIGHT GRAY	GCP	PLR	M-B	-	-	3	4	5	6	-	8	9	10	SALEABLE		34950-2011	34950-2021	34951-1631	34951-1641
						-	-	-	14	-	-	-	-	19	-						
MX150 ASSY BLD 2X10 BK A/10	334822160	A-BLACK	GCP	PLR	M-B	-	-	-	4	5	-	-	8	-	-	SALEABLE		34950-2011	34950-2021	34951-1631	34951-1641
						-	12	-	-	15	16	17	18	19	20						
MX150 ASSY BLD 2X10 BK A/12	334822161	A-BLACK	GCP	PLR	M-B	-	-	-	4	5	-	-	8	-	-	SALEABLE		34950-2011	34950-2021	34951-1631	34951-1641
						-	12	-	-	-	-	17	18	19	20						
MX150 ASSY BLD 2X10 YW A/9	334822162	A-YELLOW	GCP	PLR	M-B	-	-	3	-	-	6	7	8	9	10	SALEABLE		34950-2011	34950-2021	34951-1631	34951-1641
						11	12	13	14	-	-	-	18	-	-						
MX150 ASSY BLD 2X10 YW A/11	334822163	A-YELLOW	GCP	PLR	M-B	-	-	3	-	-	6	7	8	9	10	SALEABLE		34950-2011	34950-2021	34951-1631	34951-1641
						-	12	13	14	-	-	-	-	-	-						
MX150 ASSY BLD 2X10 YW A/15	334822164	A-YELLOW	GCP	PLR	M-B	-	-	3	-	-	-	7	-	-	10	SALEABLE		34950-2011	34950-2021	34951-1631	34951-1641
						-	-	-	14	15	-	-	-	-	-						

ASSEMBLY DESCRIPTION	ASSEMBLY PART NUMBER	COMPONENT				BLOCKED TERMINALS										STATUS	COMMENT	OPTIONAL ATTACHMENTS SOLD SEPARATELY													
		THE PRESENCE OF AN ABBREVIATION INDICATES THE PRESENCE OF THAT COMPONENT				CAVITY WITH A NUMBER INDICATES BLOCKED TERMINAL POSITION CAVITY WITHOUT A NUMBER INDICATES OPEN TERMINAL POSITION												BACKSHELL WITH RIBS	BACKSHELL WITHOUT RIBS	90° ADAPTOR WITH RIBS	90° ADAPTOR WITHOUT RIBS										
		HOUSING KEY/COLOR	GROMMET CAP	PLR	MAT SEAL	1	2	3	4	5	6	7	8	9	10							11	12	13	14	15	16	17	18	19	20
MX150 ASSY BLD 2X10 YW A/2	334822165	A-YELLOW	GCP	PLR	M-B	-	-	3	4	5	6	7	8	9	10	11	12	13	14	15	16	17	18	19	20	SALEABLE		34950-2011	34950-2021	34951-1631	34951-1641
MX150 ASSY BLD 2X10 YW A/7	334822166	A-YELLOW	GCP	PLR	M-B	-	-	3	4	5	6	7	8	9	10	11	12	13	14	-	-	-	18	-	-	SALEABLE		34950-2011	34950-2021	34951-1631	34951-1641
MX150 ASSY BLD 2X10 YW A/14	334822167	A-YELLOW	GCP	PLR	M-B	-	-	3	-	-	-	7	8	9	10	-	-	-	14	-	-	-	-	-	-	SALEABLE		34950-2011	34950-2021	34951-1631	34951-1641
MX150 ASSY BLD 2X10 BK A/12	334822168	A-BLACK	GCP	PLR	M-B	-	-	3	4	5	-	7	-	-	-	-	-	13	-	15	-	-	18	19	-	SALEABLE		34950-2011	34950-2021	34951-1631	34951-1641
MX150 ASSY BLD 2X10 BK A/14	334822169	A-BLACK	GCP	PLR	M-B	-	-	-	-	-	-	7	-	-	10	-	-	-	14	-	-	17	18	19	-	SALEABLE		34950-2011	34950-2021	34951-1631	34951-1641
MX150 ASSY BLD 2X10 BK A/11	334822170	A-BLACK	GCP	PLR	M-B	-	2	3	4	5	-	-	-	-	-	-	-	-	-	-	-	-	-	-	-	SALEABLE		34950-2011	34950-2021	34951-1631	34951-1641
MX150 ASSY BLD 2X10 BK A/17	334822171	A-BLACK	GCP	PLR	M-B	-	-	-	-	-	-	-	-	-	-	11	-	-	-	-	-	17	-	19	-	SALEABLE		34950-2011	34950-2021	34951-1631	34951-1641
MX150 ASSY BLD 2X10 BK A/9	334822172	A-BLACK	GCP	PLR	M-B	1	2	3	4	5	6	7	8	-	-	11	-	-	-	-	-	17	-	19	-	SALEABLE		34950-2011	34950-2021	34951-1631	34951-1641
MX150 ASSY BLD 2X10 BK A/18	334822173	A-BLACK	GCP	PLR	M-B	-	-	-	-	-	-	-	8	-	-	-	-	-	-	15	-	-	-	-	-	SALEABLE		34950-2011	34950-2021	34951-1631	34951-1641
MX150 ASSY BLD 2X10 BK A/15	334822174	A-BLACK	GCP	PLR	M-B	1	-	-	-	-	-	-	8	-	10	-	-	-	-	15	-	17	-	-	-	SALEABLE		34950-2011	34950-2021	34951-1631	34951-1641
MX150 ASSY BLD 2X10 BK A/14	334822175	A-BLACK	GCP	PLR	M-B	1	-	-	-	-	-	-	8	9	-	11	-	-	-	-	-	-	-	19	20	SALEABLE		34950-2011	34950-2021	34951-1631	34951-1641
MX150 ASSY BLD 2X10 BK A/17	334822176	A-BLACK	GCP	PLR	M-B	-	-	-	-	-	-	-	-	-	-	-	-	-	-	-	-	-	-	19	20	SALEABLE		34950-2011	34950-2021	34951-1631	34951-1641
MX150 ASSY BLD 2X10 BK A/16	334822177	A-BLACK	GCP	PLR	M-B	-	-	-	-	-	-	-	-	-	-	-	-	13	-	-	16	-	-	19	20	SALEABLE		34950-2011	34950-2021	34951-1631	34951-1641
MX150 ASSY BLD 2X10 BK A/18	334822178	A-BLACK	GCP	PLR	M-B	-	-	-	4	-	-	-	-	-	-	-	-	-	14	-	-	-	-	-	-	SALEABLE		34950-2011	34950-2021	34951-1631	34951-1641
MX150 ASSY BLD 2X10 BK A/6	334822179	A-BLACK	GCP	PLR	M-B	-	-	-	4	5	6	7	8	9	10	-	-	-	14	15	16	17	18	19	20	SALEABLE		34950-2011	34950-2021	34951-1631	34951-1641
MX150 ASSY BLD 2X10 BK A/11	334822180	A-BLACK	GCP	PLR	M-B	1	-	-	-	-	-	-	8	-	10	11	12	13	14	15	-	17	-	-	-	SALEABLE		34950-2011	34950-2021	34951-1631	34951-1641
MX150 ASSY BLD 2X10 BK A/9	334822181	A-BLACK	GCP	PLR	M-B	1	-	3	4	-	-	-	8	9	-	11	-	13	14	-	-	-	18	19	20	SALEABLE		34950-2011	34950-2021	34951-1631	34951-1641
MX150 ASSY BLD 2X10 BK A/8	334822182	A-BLACK	GCP	PLR	M-B	1	-	3	4	-	-	-	8	9	10	11	-	13	14	-	-	-	18	19	20	SALEABLE		34950-2011	34950-2021	34951-1631	34951-1641
MX150 ASSY BLD 2X10 BK A/13	334822183	A-BLACK	GCP	PLR	M-B	1	-	-	-	-	-	-	8	9	10	11	-	-	-	-	-	-	-	19	20	SALEABLE		34950-2011	34950-2021	34951-1631	34951-1641
MX150 ASSY BLD 2X10 BK A/17	334822184	A-BLACK	GCP	PLR	M-B	1	-	-	-	-	-	-	-	9	-	-	12	-	-	-	-	-	-	-	-	SALEABLE		34950-2011	34950-2021	34951-1631	34951-1641
MX150 ASSY BLD 2X10 BK A/18	334822185	A-BLACK	GCP	PLR	M-B	1	-	-	-	-	-	-	-	-	-	-	-	-	-	-	-	-	-	19	-	SALEABLE		34950-2011	34950-2021	34951-1631	34951-1641
MX150 ASSY BLD 2X10 BK A/14	334822186	A-BLACK	GCP	PLR	M-B	-	2	3	-	5	-	-	-	-	-	-	-	-	-	-	-	-	-	19	20	SALEABLE		34950-2011	34950-2021	34951-1631	34951-1641
MX150 ASSY BLD 2X10 BK A/16	334822187	A-BLACK	GCP	PLR	M-B	1	-	-	-	-	-	-	-	-	-	-	-	12	13	-	-	-	-	19	-	SALEABLE		34950-2011	34950-2021	34951-1631	34951-1641
MX150 ASSY BLD 2X10 BK A/11	334822188	A-BLACK	GCP	PLR	M-B	1	-	-	-	5	6	7	8	-	-	-	12	13	-	15	-	-	-	19	-	SALEABLE		34950-2011	34950-2021	34951-1631	34951-1641
MX150 ASSY BLD 2X10 BK A/5	334822189	A-BLACK	GCP	PLR	M-B	1	2	3	4	5	6	7	8	9	-	-	12	13	14	15	16	-	-	19	-	SALEABLE		34950-2011	34950-2021	34951-1631	34951-1641
MX150 ASSY BLD 2X10 BK A/2	334822190	A-BLACK	GCP	PLR	M-B	1	2	3	4	5	6	7	8	9	10	11	12	13	14	15	16	-	-	19	20	SALEABLE		34950-2011	34950-2021	34951-1631	34951-1641
MX150 ASSY BLD 2X10 BK A/8	334822191	A-BLACK	GCP	PLR	M-B	1	2	3	4	5	6	-	8	-	10	-	-	13	-	-	16	-	-	19	20	SALEABLE		34950-2011	34950-2021	34951-1631	34951-1641

ASSEMBLY DESCRIPTION	ASSEMBLY PART NUMBER	COMPONENT				BLOCKED TERMINALS										STATUS	COMMENT	OPTIONAL ATTACHMENTS SOLD SEPARATELY					
		THE PRESENCE OF AN ABBREVIATION INDICATES THE PRESENCE OF THAT COMPONENT				CAVITY WITH A NUMBER INDICATES BLOCKED TERMINAL POSITION CAVITY WITHOUT A NUMBER INDICATES OPEN TERMINAL POSITION												BACKSHELL WITH RIBS	BACKSHELL WITHOUT RIBS	90° ADAPTOR WITH RIBS	90° ADAPTOR WITHOUT RIBS		
		HOUSING KEY/COLOR	GROMMET CAP	PLR	MAT SEAL	1	2	3	4	5	6	7	8	9	10							11	12
MX150 ASSY BLD 2X10 BK A/14	334822192	A-BLACK	GCP	PLR	M-B	-	2	-	-	-	-	-	8	-	-	SALEABLE		34950-2011	34950-2021	34951-1631	34951-1641		
MX150 ASSY BLD 2X10 BK A/6	334822193	A-BLACK	GCP	PLR	M-B	1	2	3	4	5	6	7	8	9	10	SALEABLE		34950-2011	34950-2021	34951-1631	34951-1641		
MX150 ASSY BLD 2X10 BK A/7	334822194	A-BLACK	GCP	PLR	M-B	1	2	3	4	5	6	-	8	9	10	SALEABLE		34950-2011	34950-2021	34951-1631	34951-1641		
MX150 ASSY BLD 2X10 BK A/15	334822195	A-BLACK	GCP	PLR	M-B	-	2	-	-	-	-	-	-	-	-	SALEABLE		34950-2011	34950-2021	34951-1631	34951-1641		
MX150 ASSY BLD 2X10 LG B/9	334822196	B-LIGHT GRAY	GCP	PLR	M-B	1	2	3	4	5	6	7	8	-	-	SALEABLE		34950-2011	34950-2021	34951-1631	34951-1641		
MX150 ASSY BLD 2X10 LG B/17	334822197	B-LIGHT GRAY	GCP	PLR	M-B	-	-	-	-	-	-	-	-	-	-	SALEABLE		34950-2011	34950-2021	34951-1631	34951-1641		
MX150 ASSY BLD 2X10 BK A/12	334822198	A-BLACK	GCP	PLR	M-B	1	2	3	-	-	-	7	-	9	-	SALEABLE		34950-2011	34950-2021	34951-1631	34951-1641		
MX150 ASSY BLD 2X10 BK A/6	334822199	A-BLACK	GCP	PLR	M-B	1	2	3	4	5	-	7	8	9	-	SALEABLE		34950-2011	34950-2021	34951-1631	34951-1641		
MX150 ASSY BLD 2X10 BK A/8	334822200	A-BLACK	GCP	PLR	M-B	1	2	3	4	5	-	-	-	-	-	SALEABLE		34950-2011	34950-2021	34951-1631	34951-1641		
MX150 ASSY BLD 2X10 BK A/12	334822201	A-BLACK	GCP	PLR	M-B	1	2	-	-	-	-	-	-	9	10	SALEABLE		34950-2011	34950-2021	34951-1631	34951-1641		
MX150 ASSY BLD 2X10 BK A/12	334822202	A-BLACK	GCP	PLR	M-B	-	2	3	4	5	-	-	8	9	-	SALEABLE		34950-2011	34950-2021	34951-1631	34951-1641		
MX150 ASSY BLD 2X10 BK A/14	334822203	A-BLACK	GCP	PLR	M-B	1	2	3	-	-	-	-	-	9	-	SALEABLE		34950-2011	34950-2021	34951-1631	34951-1641		
MX150 ASSY BLD 2X10 BK A/11	334822204	A-BLACK	GCP	PLR	M-B	-	-	-	4	5	6	-	-	-	-	SALEABLE		34950-2011	34950-2021	34951-1631	34951-1641		
MX150 ASSY BLD 2X10 LG B/12	334822205	B-LIGHT GRAY	GCP	PLR	M-B	-	-	3	4	5	-	-	8	9	10	SALEABLE		34950-2011	34950-2021	34951-1631	34951-1641		
MX150 ASSY BLD 2X10 BK A/10	334822206	A-BLACK	GCP	PLR	M-B	1	2	3	4	5	6	-	-	-	-	SALEABLE		34950-2011	34950-2021	34951-1631	34951-1641		
MX150 ASSY BLD 2X10 LG B/15	334822207	B-LIGHT GRAY	GCP	PLR	M-B	-	-	-	4	5	6	-	-	9	10	SALEABLE		34950-2011	34950-2021	34951-1631	34951-1641		
MX150 ASSY BLD 2X10 LG B/17	334822208	B-LIGHT GRAY	GCP	PLR	M-B	-	-	-	-	-	-	-	-	9	10	SALEABLE		34950-2011	34950-2021	34951-1631	34951-1641		
MX150 ASSY BLD 2X10 LG B/13	334822209	B-LIGHT GRAY	GCP	PLR	M-B	-	-	-	4	5	6	7	-	-	10	SALEABLE		34950-2011	34950-2021	34951-1631	34951-1641		
MX150 ASSY BLD 2X10 BK A/13	334822210	A-BLACK	GCP	PLR	M-B	1	-	-	-	-	-	-	-	9	10	SALEABLE		34950-2011	34950-2021	34951-1631	34951-1641		
MX150 ASSY BLD 2X10 BK A/12	334822211	A-BLACK	GCP	PLR	M-B	1	2	-	-	-	-	7	-	-	10	SALEABLE		34950-2011	34950-2021	34951-1631	34951-1641		
MX150 ASSY BLD 2X10 BK A/17	334822213	A-BLACK	GCP	PLR	M-B	-	-	-	-	-	-	-	-	-	-	SALEABLE		34950-2011	34950-2021	34951-1631	34951-1641		
MX150 ASSY BLD 2X10 BK A/19	334822214	A-BLACK	GCP	PLR	M-B	-	-	-	-	-	-	-	-	-	-	SALEABLE		34950-2011	34950-2021	34951-1631	34951-1641		
MX150 ASSY BLD 2X10 BK A/15	334822215	A-BLACK	GCP	PLR	M-B	-	2	-	-	-	-	-	8	-	10	SALEABLE		34950-2011	34950-2021	34951-1631	34951-1641		
MX150 ASSY BLD 2X10 BK A/18	334822216	A-BLACK	GCP	PLR	M-B	-	-	-	-	-	-	-	-	-	-	SALEABLE		34950-2011	34950-2021	34951-1631	34951-1641		
MX150 ASSY BLD 2X10 BK A/16	334822217	A-BLACK	GCP	PLR	M-B	-	-	-	-	-	-	7	-	-	-	SALEABLE		34950-2011	34950-2021	34951-1631	34951-1641		
MX150 ASSY BLD 2X10 BK A/12	334822218	A-BLACK	GCP	PLR	M-B	1	2	3	4	5	6	-	-	-	-	SALEABLE		34950-2011	34950-2021	34951-1631	34951-1641		
MX150 ASSY BLD 2X10 BK A/18	334822219	A-BLACK	GCP	PLR	M-B	-	-	-	-	-	6	-	-	-	-	SALEABLE		34950-2011	34950-2021	34951-1631	34951-1641		

**MX150 2X10 BLADE SEALED ASSEMBLY MAT SEAL
BOM AND PIN OUT SHEET**

ASSEMBLY DESCRIPTION	ASSEMBLY PART NUMBER	COMPONENT				BLOCKED TERMINALS										STATUS	COMMENT	OPTIONAL ATTACHMENTS SOLD SEPARATELY					
		THE PRESENCE OF AN ABBREVIATION INDICATES THE PRESENCE OF THAT COMPONENT				CAVITY WITH A NUMBER INDICATES BLOCKED TERMINAL POSITION CAVITY WITHOUT A NUMBER INDICATES OPEN TERMINAL POSITION												BACKSHELL WITH RIBS	BACKSHELL WITHOUT RIBS	90° ADAPTOR WITH RIBS	90° ADAPTOR WITHOUT RIBS		
		HOUSING KEY/COLOR	GROMMET CAP	PLR	MAT SEAL	1	2	3	4	5	6	7	8	9	10							11	12
MX150 ASSY BLD 2X10 BK A/10	334822220	A-BLACK	GCP	PLR	M-B	1	-	3	-	5	-	7	-	9	-	SALEABLE		34950-2011	34950-2021	34951-1631	34951-1641		
MX150 ASSY BLD 2X10 BK A/10	334822221	A-BLACK	GCP	PLR	M-B	-	2	-	4	-	6	-	8	-	10	SALEABLE		34950-2011	34950-2021	34951-1631	34951-1641		
MX150 ASSY BLD 2X10 BK A/14	334822222	A-BLACK	GCP	PLR	M-B	1	2	3	-	-	-	-	-	9	-	SALEABLE		34950-2011	34950-2021	34951-1631	34951-1641		
MX150 ASSY BLD 2X10 BK A/17	334822223	A-BLACK	GCP	PLR	M-B	-	-	-	-	-	7	-	-	-	-	SALEABLE		34950-2011	34950-2021	34951-1631	34951-1641		
MX150 ASSY BLD 2X10 BK A/15	334822224	A-BLACK	GCP	PLR	M-B	-	-	-	-	-	-	-	-	-	10	SALEABLE		34950-2011	34950-2021	34951-1631	34951-1641		
MX150 ASSY BLD 2X10 BK A/8	334822225	A-BLACK	GCP	PLR	M-B	1	2	3	4	5	6	-	8	-	10	SALEABLE		34950-2011	34950-2021	34951-1631	34951-1641		
MX150 ASSY BLD 2X10 LG B/16	334822226	B-LIGHT GRAY	GCP	PLR	M-B	-	-	-	-	-	-	-	-	-	-	SALEABLE		34950-2011	34950-2021	34951-1631	34951-1641		
MX150 ASSY BLD 2X10 BK A/12	334822227	A-BLACK	GCP	PLR	M-B	-	-	3	-	-	-	-	-	-	10	SALEABLE		34950-2011	34950-2021	34951-1631	34951-1641		
MX150 ASSY BLD 2X10 BK A/6	334822228	A-BLACK	GCP	PLR	M-B	-	-	3	4	5	6	7	8	9	10	SALEABLE		34950-2011	34950-2021	34951-1631	34951-1641		
MX150 ASSY BLD 2X10 BK A/7	334822229	A-BLACK	GCP	PLR	M-B	-	-	3	4	5	6	7	8	9	10	SALEABLE		34950-2011	34950-2021	34951-1631	34951-1641		
MX150 ASSY BLD 2X10 BK A/13	334822230	A-BLACK	GCP	PLR	M-B	-	-	3	-	-	-	-	-	-	10	SALEABLE		34950-2011	34950-2021	34951-1631	34951-1641		
MX150 ASSY BLD 2X10 BK A/10	334822231	A-BLACK	GCP	PLR	M-B	1	2	3	4	5	6	-	8	-	10	SALEABLE		34950-2011	34950-2021	34951-1631	34951-1641		
MX150 ASSY BLD 2X10 BK A/18	334822232	A-BLACK	GCP	PLR	M-B	-	-	-	-	-	-	-	-	-	-	SALEABLE		34950-2011	34950-2021	34951-1631	34951-1641		
MX150 ASSY BLD 2X10 LG B/7	334822233	B-LIGHT GRAY	GCP	PLR	M-B	1	2	3	4	5	6	7	8	-	-	SALEABLE		34950-2011	34950-2021	34951-1631	34951-1641		
MX150 ASSY BLD 2X10 LG B/15	334822234	B-LIGHT GRAY	GCP	PLR	M-B	-	-	-	-	-	-	-	-	-	-	SALEABLE		34950-2011	34950-2021	34951-1631	34951-1641		
MX150 ASSY BLD 2X10 LG B/15	334822235	B-LIGHT GRAY	GCP	PLR	M-B	-	2	3	-	-	-	-	-	-	-	SALEABLE		34950-2011	34950-2021	34951-1631	34951-1641		
MX150 ASSY BLD 2X10 BK A/8	334822236	A-BLACK	GCP	PLR	M-B	-	-	3	4	-	6	7	8	9	-	SALEABLE		34950-2011	34950-2021	34951-1631	34951-1641		
MX150 ASSY BLD 2X10 BK A/13	334822237	A-BLACK	GCP	PLR	M-B	-	-	3	4	5	6	7	-	-	-	SALEABLE		34950-2011	34950-2021	34951-1631	34951-1641		
MX150 ASSY BLD 2X10 BK A/17	334822238	A-BLACK	GCP	PLR	M-B	-	-	-	-	5	-	-	-	-	-	SALEABLE		34950-2011	34950-2021	34951-1631	34951-1641		
MX150 ASSY BLD 2X10 BK A/11	334822239	A-BLACK	GCP	PLR	M-B	-	-	3	4	5	6	7	-	-	10	SALEABLE		34950-2011	34950-2021	34951-1631	34951-1641		
MX150 ASSY BLD 2X10 BK A/15	334822240	A-BLACK	GCP	PLR	M-B	-	-	-	-	5	-	-	-	-	10	SALEABLE		34950-2011	34950-2021	34951-1631	34951-1641		
MX150 ASSY BLD 2X10 BK A/6	334822241	A-BLACK	GCP	PLR	M-B	-	-	3	4	-	6	7	8	9	10	SALEABLE		34950-2011	34950-2021	34951-1631	34951-1641		
MX150 ASSY BLD 2X10 BK A/12	334822242	A-BLACK	GCP	PLR	M-B	1	2	3	4	5	6	-	8	-	10	SALEABLE		34950-2011	34950-2021	34951-1631	34951-1641		
MX150 ASSY BLD 2X10 BK A/6	334822243	A-BLACK	GCP	PLR	M-B	1	2	3	-	-	-	-	8	9	-	SALEABLE		34950-2011	34950-2021	34951-1631	34951-1641		
MX150 ASSY BLD 2X10 BK A/4	334822244	A-BLACK	GCP	PLR	M-B	1	2	3	-	-	-	7	8	9	10	SALEABLE		34950-2011	34950-2021	34951-1631	34951-1641		
MX150 ASSY BLD 2X10 BK A/6	334822245	A-BLACK	GCP	PLR	M-B	-	2	3	-	-	-	7	8	9	10	SALEABLE		34950-2011	34950-2021	34951-1631	34951-1641		
MX150 ASSY BLD 2X10 BK A/4	334822246	A-BLACK	GCP	PLR	M-B	1	2	3	4	5	-	-	8	9	-	SALEABLE		34950-2011	34950-2021	34951-1631	34951-1641		

**MX150 2X10 BLADE SEALED ASSEMBLY MAT SEAL
BOM AND PIN OUT SHEET**

ASSEMBLY DESCRIPTION	ASSEMBLY PART NUMBER	COMPONENT				BLOCKED TERMINALS										STATUS	COMMENT	OPTIONAL ATTACHMENTS SOLD SEPARATELY			
		THE PRESENCE OF AN ABBREVIATION INDICATES THE PRESENCE OF THAT COMPONENT				CAVITY WITH A NUMBER INDICATES BLOCKED TERMINAL POSITION CAVITY WITHOUT A NUMBER INDICATES OPEN TERMINAL POSITION												BACKSHELL WITH RIBS	BACKSHELL WITHOUT RIBS	90° ADAPTOR WITH RIBS	90° ADAPTOR WITHOUT RIBS
		HOUSING KEY/COLOR	GROMMET CAP	PLR	MAT SEAL	1	2	3	4	5	6	7	8	9	10						
MX150 ASSY BLD 2X10 BK A/2	334822247	A-BLACK	GCP	PLR	M-B	1	2	3	4	5	-	7	8	9	10	SALEABLE		34950-2011	34950-2021	34951-1631	34951-1641
						-	12	13	14	15	16	17	18	19	20						
MX150 ASSY BLD 2X10 BK A/10	334822248	A-BLACK	GCP	PLR	M-B	-	2	-	-	-	-	-	8	-	-	SALEABLE		34950-2011	34950-2021	34951-1631	34951-1641
						-	12	13	14	15	-	17	18	19	20						
MX150 ASSY BLD 2X10 BK A/14	334822249	A-BLACK	GCP	PLR	M-B	-	2	-	-	-	-	-	8	-	-	SALEABLE		34950-2011	34950-2021	34951-1631	34951-1641
						-	-	-	-	-	-	17	18	19	20						
MX150 ASSY BLD 2X10 BK A/12	334822250	A-BLACK	GCP	PLR	M-B	-	-	-	-	-	-	-	-	-	-	SALEABLE		34950-2011	34950-2021	34951-1631	34951-1641
						-	12	13	14	15	-	17	18	19	20						
MX150 ASSY BLD 2X10 BK A/8	334822251	A-BLACK	GCP	PLR	M-B	1	2	3	4	5	6	7	8	-	-	SALEABLE		34950-2011	34950-2021	34951-1631	34951-1641
						-	-	-	-	-	-	17	18	19	20						
MX150 ASSY BLD 2X10 BK A/4	334822252	A-BLACK	GCP	PLR	M-B	1	2	3	4	5	6	7	8	-	-	SALEABLE		34950-2011	34950-2021	34951-1631	34951-1641
						-	12	13	14	15	-	17	18	19	20						
MX150 ASSY BLD 2X10 BK A/11	334822253	A-BLACK	GCP	PLR	M-B	1	2	3	-	-	-	-	-	9	10	SALEABLE		34950-2011	34950-2021	34951-1631	34951-1641
						11	12	-	-	-	16	-	-	-	20						
MX150 ASSY BLD 2X10 BK A/13	334822254	A-BLACK	GCP	PLR	M-B	1	-	-	-	-	-	-	-	9	10	SALEABLE		34950-2011	34950-2021	34951-1631	34951-1641
						11	-	-	-	-	16	-	-	19	20						
MX150 ASSY BLD 2X10 BK A/7	334822255	A-BLACK	GCP	PLR	M-B	1	2	3	4	5	-	7	8	9	-	SALEABLE		34950-2011	34950-2021	34951-1631	34951-1641
						-	-	-	-	-	16	17	18	19	20						
MX150 ASSY BLD 2X10 BK A/9	334822256	A-BLACK	GCP	PLR	M-B	1	2	3	-	-	-	7	-	9	-	SALEABLE		34950-2011	34950-2021	34951-1631	34951-1641
						-	-	13	14	15	16	-	-	19	20						
MX150 ASSY BLD 2X10 BK A/9	334822257	A-BLACK	GCP	PLR	M-B	1	2	3	4	5	-	7	8	9	-	SALEABLE		34950-2011	34950-2021	34951-1631	34951-1641
						-	-	-	-	-	16	-	-	19	20						
MX150 ASSY BLD 2X10 BK A/9	334822258	A-BLACK	GCP	PLR	M-B	1	2	3	-	-	-	7	-	9	10	SALEABLE		34950-2011	34950-2021	34951-1631	34951-1641
						11	12	-	-	-	16	-	-	19	20						
MX150 ASSY BLD 2X10 BK A/10	334822259	A-BLACK	GCP	PLR	M-B	1	2	3	4	5	6	-	8	9	-	SALEABLE		34950-2011	34950-2021	34951-1631	34951-1641
						-	-	-	-	-	16	-	-	-	20						
MX150 ASSY BLD 2X10 BK A/7	334822260	A-BLACK	GCP	PLR	M-B	1	2	3	-	-	6	-	-	9	10	SALEABLE		34950-2011	34950-2021	34951-1631	34951-1641
						11	12	13	14	15	16	-	-	-	20						
MX150 ASSY BLD 2X10 BK A/14	334822261	A-BLACK	GCP	PLR	M-B	-	2	-	-	-	-	-	8	-	10	SALEABLE		34950-2011	34950-2021	34951-1631	34951-1641
						11	-	-	-	15	16	-	-	-	-						
MX150 ASSY BLD 2X10 BK A/18	334822262	A-BLACK	GCP	PLR	M-B	-	2	-	-	-	-	-	8	-	-	SALEABLE		34950-2011	34950-2021	34951-1631	34951-1641
						-	-	-	-	-	-	-	-	-	-						
MX150 ASSY BLD 2X10 BK A/7	334822263	A-BLACK	GCP	PLR	M-B	1	2	3	4	5	6	7	8	-	10	SALEABLE		34950-2011	34950-2021	34951-1631	34951-1641
						-	-	-	14	15	-	17	-	19	-						
MX150 ASSY BLD 2X10 BK A/19	334822264	A-BLACK	GCP	PLR	M-B	-	-	-	-	5	-	-	-	-	-	SALEABLE		34950-2011	34950-2021	34951-1631	34951-1641
						-	-	-	-	-	-	-	-	-	-						
MX150 ASSY BLD 2X10 BK A/18	334822265	A-BLACK	GCP	PLR	M-B	-	-	-	-	-	-	-	-	-	-	SALEABLE		34950-2011	34950-2021	34951-1631	34951-1641
						-	-	-	-	-	-	17	18	-	-						
MX150 ASSY BLD 2X10 BK A/14	334822266	A-BLACK	GCP	PLR	M-B	-	-	3	-	-	-	-	-	-	-	SALEABLE		34950-2011	34950-2021	34951-1631	34951-1641
						-	-	-	-	-	16	17	18	19	20						
MX150 ASSY BLD 2X10 BK A/9	334822267	A-BLACK	GCP	PLR	M-B	1	-	3	-	-	-	7	-	-	10	SALEABLE		34950-2011	34950-2021	34951-1631	34951-1641
						-	12	13	14	15	-	17	18	19	-						
MX150 ASSY BLD 2X10 BK A/13	334822268	A-BLACK	GCP	PLR	M-B	1	-	-	-	-	-	7	-	-	10	SALEABLE		34950-2011	34950-2021	34951-1631	34951-1641
						-	12	13	-	-	-	17	18	-	-						
MX150 ASSY BLD 2X10 BK A/10	334822269	A-BLACK	GCP	PLR	M-B	1	2	-	-	-	-	-	8	9	10	SALEABLE		34950-2011	34950-2021	34951-1631	34951-1641
						-	12	13	-	-	16	17	18	-	-						
MX150 ASSY BLD 2X10 BK A/8	334822270	A-BLACK	GCP	PLR	M-B	1	2	-	4	5	-	-	8	9	10	SALEABLE		34950-2011	34950-2021	34951-1631	34951-1641
						-	12	13	-	-	16	17	18	-	-						
MX150 ASSY BLD 2X10 BK A/6	334822271	A-BLACK	GCP	PLR	M-B	1	2	3	-	-	-	-	8	9	10	SALEABLE		34950-2011	34950-2021	34951-1631	34951-1641
						-	12	13	14	15	16	17	18	19	-						
MX150 ASSY BLD 2X10 BK A/4	334822272	A-BLACK	GCP	PLR	M-B	1	2	3	4	5	-	-	8	9	10	SALEABLE		34950-2011	34950-2021	34951-1631	34951-1641
						-	12	13	14	15	16	17	18	19	-						
MX150 ASSY BLD 2X10 BK A/8	334822273	A-BLACK	GCP	PLR	M-B	1	2	-	-	-	-	7	8	9	10	SALEABLE		34950-2011	34950-2021	34951-1631	34951-1641
						-	12	13	-	-	16	17	18	-	20						

ASSEMBLY DESCRIPTION	ASSEMBLY PART NUMBER	COMPONENT				BLOCKED TERMINALS										STATUS	COMMENT	OPTIONAL ATTACHMENTS SOLD SEPARATELY			
		THE PRESENCE OF AN ABBREVIATION INDICATES THE PRESENCE OF THAT COMPONENT				CAVITY WITH A NUMBER INDICATES BLOCKED TERMINAL POSITION CAVITY WITHOUT A NUMBER INDICATES OPEN TERMINAL POSITION												BACKSHELL WITH RIBS	BACKSHELL WITHOUT RIBS	90° ADAPTOR WITH RIBS	90° ADAPTOR WITHOUT RIBS
		HOUSING KEY/COLOR	GROMMET CAP	PLR	MAT SEAL	1	2	3	-	-	-	7	8	9	10						
MX150 ASSY BLD 2X10 BK A/6	334822274	A-BLACK	GCP	PLR	M-B	1	2	3	-	-	-	7	8	9	10	SALEABLE		34950-2011	34950-2021	34951-1631	34951-1641
						-	12	13	14	15	-	17	18	19	-						
MX150 ASSY BLD 2X10 BK A/8	334822275	A-BLACK	GCP	PLR	M-B	-	2	3	-	-	-	7	8	9	10	SALEABLE		34950-2011	34950-2021	34951-1631	34951-1641
						-	12	13	14	15	-	17	18	-	-						
MX150 ASSY BLD 2X10 BK A/11	334822276	A-BLACK	GCP	PLR	M-B	-	2	-	-	-	-	7	8	9	10	SALEABLE		34950-2011	34950-2021	34951-1631	34951-1641
						-	12	13	-	-	-	17	18	-	-						
MX150 ASSY BLD 2X10 BK A/6	334822277	A-BLACK	GCP	PLR	M-B	1	2	-	4	5	-	7	8	9	10	SALEABLE		34950-2011	34950-2021	34951-1631	34951-1641
						-	12	13	-	-	16	17	18	-	20						
MX150 ASSY BLD 2X10 BK A/15	334822278	A-BLACK	GCP	PLR	M-B	-	-	-	-	-	-	-	-	-	10	SALEABLE		34950-2011	34950-2021	34951-1631	34951-1641
						11	12	-	-	-	16	-	-	-	20						
MX150 ASSY BLD 2X10 BK A/13	334822279	A-BLACK	GCP	PLR	M-B	-	-	3	4	-	-	-	-	-	10	SALEABLE		34950-2011	34950-2021	34951-1631	34951-1641
						11	12	-	-	-	16	-	-	-	20						
MX150 ASSY BLD 2X10 BK A/9	334822280	A-BLACK	GCP	PLR	M-B	-	-	3	4	-	-	-	-	-	10	SALEABLE		34950-2011	34950-2021	34951-1631	34951-1641
						11	12	-	-	15	16	17	18	19	20						
MX150 ASSY BLD 2X10 BK A/11	334822281	A-BLACK	GCP	PLR	M-B	-	-	-	-	-	-	-	-	-	10	SALEABLE		34950-2011	34950-2021	34951-1631	34951-1641
						11	12	-	-	15	16	17	18	19	20						
MX150 ASSY BLD 2X10 BK A/14	334822282	A-BLACK	GCP	PLR	M-B	-	2	3	-	-	6	-	-	-	10	SALEABLE		34950-2011	34950-2021	34951-1631	34951-1641
						-	12	-	14	-	-	-	-	-	-						
MX150 ASSY BLD 2X10 BK A/17	334822283	A-BLACK	GCP	PLR	M-B	-	-	-	4	-	-	-	-	-	-	SALEABLE		34950-2011	34950-2021	34951-1631	34951-1641
						-	-	-	14	-	-	-	-	19	-						
MX150 ASSY BLD 2X10 BK A/14	334822284	A-BLACK	GCP	PLR	M-B	-	-	3	4	-	-	-	-	-	-	SALEABLE		34950-2011	34950-2021	34951-1631	34951-1641
						-	12	-	14	-	-	-	-	19	20						
MX150 ASSY BLD 2X10 BK A/9	334822285	A-BLACK	GCP	PLR	M-B	1	2	3	-	-	6	7	-	-	10	SALEABLE		34950-2011	34950-2021	34951-1631	34951-1641
						11	12	-	14	-	16	-	-	19	-						
MX150 ASSY BLD 2X10 BK A/2	334822286	A-BLACK	GCP	PLR	M-B	1	2	3	-	-	6	7	8	9	10	SALEABLE		34950-2011	34950-2021	34951-1631	34951-1641
						11	12	13	14	15	16	17	18	19	20						
MX150 ASSY BLD 2X10 BK A/11	334822287	A-BLACK	GCP	PLR	M-B	1	2	3	4	5	6	-	8	-	10	SALEABLE		34950-2011	34950-2021	34951-1631	34951-1641
						-	-	-	-	-	-	17	-	-	-						
MX150 ASSY BLD 2X10 BK A/6	334822288	A-BLACK	GCP	PLR	M-B	1	2	3	-	-	-	-	-	9	10	SALEABLE		34950-2011	34950-2021	34951-1631	34951-1641
						11	12	13	-	15	16	17	18	19	20						
MX150 ASSY BLD 2X10 BK A/11	334822289	A-BLACK	GCP	PLR	M-B	-	-	3	-	-	-	-	-	9	10	SALEABLE		34950-2011	34950-2021	34951-1631	34951-1641
						11	12	13	-	15	-	-	-	19	20						
MX150 ASSY BLD 2X10 BK A/7	334822290	A-BLACK	GCP	PLR	M-B	1	2	3	4	5	6	7	8	-	-	SALEABLE		34950-2011	34950-2021	34951-1631	34951-1641
						-	-	-	-	-	16	17	18	19	20						
MX150 ASSY BLD 2X10 BK A/9	334822291	A-BLACK	GCP	PLR	M-B	1	2	3	4	5	6	7	8	-	-	SALEABLE		34950-2011	34950-2021	34951-1631	34951-1641
						-	-	-	-	-	-	-	18	19	20						
MX150 ASSY BLD 2X10 BK A/19	334822292	A-BLACK	GCP	PLR	M-B	-	-	-	-	-	-	-	-	-	-	SALEABLE		34950-2011	34950-2021	34951-1631	34951-1641
						-	-	-	-	-	-	-	18	-	-						
MX150 ASSY BLD 2X10 BK A/6	334822293	A-BLACK	GCP	PLR	M-B	1	2	3	4	-	-	7	8	9	-	SALEABLE		34950-2011	34950-2021	34951-1631	34951-1641
						-	12	13	14	-	-	17	18	19	20						
MX150 ASSY BLD 2X10 BK A/8	334822294	A-BLACK	GCP	PLR	M-B	1	2	3	-	-	-	7	8	9	-	SALEABLE		34950-2011	34950-2021	34951-1631	34951-1641
						-	12	13	-	-	-	17	18	19	20						
MX150 ASSY BLD 2X10 BK A/3	334822295	A-BLACK	GCP	PLR	M-B	-	2	3	4	5	6	7	8	9	10	SALEABLE		34950-2011	34950-2021	34951-1631	34951-1641
						11	12	-	14	15	16	17	18	19	-						
MX150 ASSY BLD 2X10 BK A/9	334822296	A-BLACK	GCP	PLR	M-B	-	2	3	4	-	-	7	8	9	-	SALEABLE		34950-2011	34950-2021	34951-1631	34951-1641
						-	12	-	14	-	-	17	18	19	-						
MX150 ASSY BLD 2X10 BK A/11	334822297	A-BLACK	GCP	PLR	M-B	-	2	3	-	-	-	7	8	9	-	SALEABLE		34950-2011	34950-2021	34951-1631	34951-1641
						-	12	-	-	-	-	17	18	19	-						
MX150 ASSY BLD 2X10 BK A/12	334822298	A-BLACK	GCP	PLR	M-B	1	-	3	4	-	-	-	-	9	-	SALEABLE		34950-2011	34950-2021	34951-1631	34951-1641
						-	12	13	14	-	-	-	-	-	20						
MX150 ASSY BLD 2X10 BK A/14	334822299	A-BLACK	GCP	PLR	M-B	1	-	3	-	-	-	-	-	9	-	SALEABLE		34950-2011	34950-2021	34951-1631	34951-1641
						-	12	13	-	-	-	-	-	-	20						
MX150 ASSY BLD 2X10 BK A/15	334822300	A-BLACK	GCP	PLR	M-B	-	-	3	4	-	-	-	-	9	-	SALEABLE		34950-2011	34950-2021	34951-1631	34951-1641
						-	12	-	14	-	-	-	-	-	-						

**MX150 2X10 BLADE SEALED ASSEMBLY MAT SEAL
BOM AND PIN OUT SHEET**

ASSEMBLY DESCRIPTION	ASSEMBLY PART NUMBER	COMPONENT				BLOCKED TERMINALS										STATUS	COMMENT	OPTIONAL ATTACHMENTS SOLD SEPARATELY					
		THE PRESENCE OF AN ABBREVIATION INDICATES THE PRESENCE OF THAT COMPONENT				CAVITY WITH A NUMBER INDICATES BLOCKED TERMINAL POSITION CAVITY WITHOUT A NUMBER INDICATES OPEN TERMINAL POSITION												BACKSHELL WITH RIBS	BACKSHELL WITHOUT RIBS	90° ADAPTOR WITH RIBS	90° ADAPTOR WITHOUT RIBS		
		HOUSING KEY/COLOR	GROMMET CAP	PLR	MAT SEAL	1	2	3	4	5	6	7	8	9	10							11	12
MX150 ASSY BLD 2X10 BK A/17	334822301	A-BLACK	GCP	PLR	M-B	-	-	3	-	-	-	-	9	-	SALEABLE		34950-2011	34950-2021	34951-1631	34951-1641			
MX150 ASSY BLD 2X10 BK A/17	334822302	A-BLACK	GCP	PLR	M-B	-	12	-	-	-	-	-	9	-	SALEABLE		34950-2011	34950-2021	34951-1631	34951-1641			
MX150 ASSY BLD 2X10 BK A/11	334822303	A-BLACK	GCP	PLR	M-B	-	-	13	-	-	-	-	9	-	SALEABLE		34950-2011	34950-2021	34951-1631	34951-1641			
MX150 ASSY BLD 2X10 BK A/15	334822304	A-BLACK	GCP	PLR	M-B	-	2	-	-	-	-	8	9	-	SALEABLE		34950-2011	34950-2021	34951-1631	34951-1641			
MX150 ASSY BLD 2X10 BK A/9	334822305	A-BLACK	GCP	PLR	M-B	-	2	-	-	-	-	8	9	-	SALEABLE		34950-2011	34950-2021	34951-1631	34951-1641			
MX150 ASSY BLD 2X10 BK A/9	334822306	A-BLACK	GCP	PLR	M-B	1	2	3	4	5	6	7	8	9	SALEABLE		34950-2011	34950-2021	34951-1631	34951-1641			
MX150 ASSY BLD 2X10 BK A/3	334822307	A-BLACK	GCP	PLR	M-B	1	2	3	4	5	6	7	8	9	SALEABLE		34950-2011	34950-2021	34951-1631	34951-1641			
MX150 ASSY BLD 2X10 BK A/3	334822308	A-BLACK	GCP	PLR	M-B	1	2	3	-	-	6	7	8	9	SALEABLE		34950-2011	34950-2021	34951-1631	34951-1641			
MX150 ASSY BLD 2X10 BK A/13	334822309	A-BLACK	GCP	PLR	M-B	1	2	3	4	5	-	-	-	-	SALEABLE		34950-2011	34950-2021	34951-1631	34951-1641			
MX150 ASSY BLD 2X10 BK A/13	334822310	A-BLACK	GCP	PLR	M-B	-	2	3	-	5	-	-	-	-	SALEABLE		34950-2011	34950-2021	34951-1631	34951-1641			
MX150 ASSY BLD 2X10 BK A/3	334822311	A-BLACK	GCP	PLR	M-B	-	2	3	4	5	-	7	8	9	SALEABLE		34950-2011	34950-2021	34951-1631	34951-1641			
MX150 ASSY BLD 2X10 BK A/13	334822312	A-BLACK	GCP	PLR	M-B	-	2	-	-	5	6	-	-	9	SALEABLE		34950-2011	34950-2021	34951-1631	34951-1641			
MX150 ASSY BLD 2X10 BK A/13	334822313	A-BLACK	GCP	PLR	M-B	1	-	3	-	-	6	-	-	9	SALEABLE		34950-2011	34950-2021	34951-1631	34951-1641			
MX150 ASSY BLD 2X10 BK A/14	334822314	A-BLACK	GCP	PLR	M-B	-	-	-	-	-	-	-	9	10	SALEABLE		34950-2011	34950-2021	34951-1631	34951-1641			
MX150 ASSY BLD 2X10 BK A/8	334822315	A-BLACK	GCP	PLR	M-B	-	-	-	-	-	-	-	9	10	SALEABLE		34950-2011	34950-2021	34951-1631	34951-1641			
MX150 ASSY BLD 2X10 BK A/12	334822316	A-BLACK	GCP	PLR	M-B	-	2	-	-	-	-	8	9	10	SALEABLE		34950-2011	34950-2021	34951-1631	34951-1641			
MX150 ASSY BLD 2X10 BK A/6	334822317	A-BLACK	GCP	PLR	M-B	-	2	-	-	-	-	8	9	10	SALEABLE		34950-2011	34950-2021	34951-1631	34951-1641			
MX150 ASSY BLD 2X10 BK A/6	334822318	A-BLACK	GCP	PLR	M-B	1	2	3	4	5	6	7	8	9	SALEABLE		34950-2011	34950-2021	34951-1631	34951-1641			
MX150 ASSY BLD 2X10 BK A/15	334822319	A-BLACK	GCP	PLR	M-B	1	2	3	-	-	6	7	-	-	SALEABLE		34950-2011	34950-2021	34951-1631	34951-1641			
MX150 ASSY BLD 2X10 BK A/17	334822320	A-BLACK	GCP	PLR	M-B	-	2	3	-	-	6	-	-	-	SALEABLE		34950-2011	34950-2021	34951-1631	34951-1641			
MX150 ASSY BLD 2X10 BK A/5	334822321	A-BLACK	GCP	PLR	M-B	1	2	3	4	5	6	7	8	9	SALEABLE		34950-2011	34950-2021	34951-1631	34951-1641			
MX150 ASSY BLD 2X10 BK A/11	334822322	A-BLACK	GCP	PLR	M-B	1	2	3	4	5	-	-	8	9	SALEABLE		34950-2011	34950-2021	34951-1631	34951-1641			
MX150 ASSY BLD 2X10 BK A/5	334822323	A-BLACK	GCP	PLR	M-B	1	2	3	-	-	6	7	-	9	SALEABLE		34950-2011	34950-2021	34951-1631	34951-1641			
MX150 ASSY BLD 2X10 BK A/6	334822324	A-BLACK	GCP	PLR	M-B	1	2	3	4	5	6	7	8	-	SALEABLE		34950-2011	34950-2021	34951-1631	34951-1641			
MX150 ASSY BLD 2X10 LG B/16	334822325	B-LIGHT GRAY	GCP	PLR	M-B	-	-	-	-	-	-	-	-	-	SALEABLE		34950-2011	34950-2021	34951-1631	34951-1641			
MX150 ASSY BLD 2X10 BK A/6	334822326	A-BLACK	GCP	PLR	M-B	1	2	-	-	-	6	7	8	9	SALEABLE		34950-2011	34950-2021	34951-1631	34951-1641			
MX150 ASSY BLD 2X10 BK A/4	334822327	A-BLACK	GCP	PLR	M-B	1	2	-	4	5	6	7	8	9	SALEABLE		34950-2011	34950-2021	34951-1631	34951-1641			

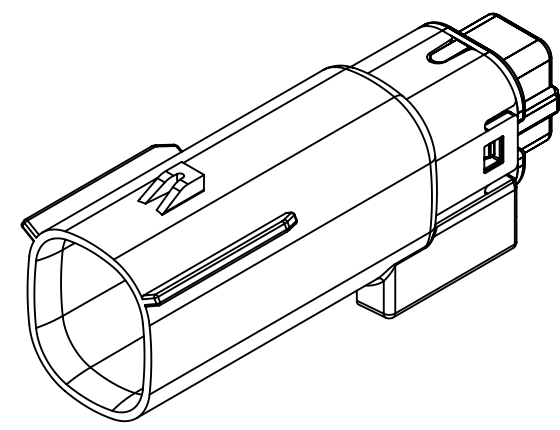
ASSEMBLY DESCRIPTION	ASSEMBLY PART NUMBER	COMPONENT				BLOCKED TERMINALS										STATUS	COMMENT	OPTIONAL ATTACHMENTS SOLD SEPARATELY													
		THE PRESENCE OF AN ABBREVIATION INDICATES THE PRESENCE OF THAT COMPONENT				CAVITY WITH A NUMBER INDICATES BLOCKED TERMINAL POSITION CAVITY WITHOUT A NUMBER INDICATES OPEN TERMINAL POSITION												BACKSHELL WITH RIBS	BACKSHELL WITHOUT RIBS	90° ADAPTOR WITH RIBS	90° ADAPTOR WITHOUT RIBS										
		HOUSING KEY/COLOR	GROMMET CAP	PLR	MAT SEAL	1	2	3	4	5	6	7	8	9	10							11	12	13	14	15	16	17	18	19	20
MX150 ASSY BLD 2X10 BK A/13	334822328	A-BLACK	GCP	PLR	M-B	-	-	-	-	-	-	7	8	9	10	11	-	13	-	-	16	-	-	-	-	SALEABLE		34950-2011	34950-2021	34951-1631	34951-1641
MX150 ASSY BLD 2X10 LG B/14	334822329	B-LIGHT GRAY	GCP	PLR	M-B	-	-	-	-	-	-	-	-	-	10	11	-	-	-	15	16	17	-	-	20	SALEABLE		34950-2011	34950-2021	34951-1631	34951-1641
MX150 ASSY BLD 2X10 BK A/15	334822330	A-BLACK	GCP	PLR	M-B	-	2	-	-	5	6	-	-	9	10	-	-	-	-	-	-	-	-	-	-	SALEABLE		34950-2011	34950-2021	34951-1631	34951-1641
MX150 ASSY BLD 2X10 BK A/16	334822331	A-BLACK	GCP	PLR	M-B	-	2	-	-	-	6	-	-	9	10	-	-	-	-	-	-	-	-	-	-	SALEABLE		34950-2011	34950-2021	34951-1631	34951-1641
MX150 ASSY BLD 2X10 BK A/17	334822332	A-BLACK	GCP	PLR	M-B	-	-	-	-	-	6	-	-	9	10	-	-	-	-	-	-	-	-	-	-	SALEABLE		34950-2011	34950-2021	34951-1631	34951-1641
MX150 ASSY BLD 2X10 BK A/7	334822334	A-BLACK	GCP	PLR	M-B	-	-	3	4	-	6	7	-	9	10	-	-	13	14	-	16	17	18	19	20	SALEABLE		34950-2011	34950-2021	34951-1631	34951-1641
MX150 ASSY BLD 2X10 BK A/14	334822335	A-BLACK	GCP	PLR	M-B	-	-	3	4	-	-	7	-	-	10	-	-	-	-	-	16	17	-	-	-	SALEABLE		34950-2011	34950-2021	34951-1631	34951-1641
MX150 ASSY BLD 2X10 LG B/14	334822336	B-LIGHT GRAY	GCP	PLR	M-B	-	-	-	-	-	-	-	-	-	-	-	-	-	14	15	-	17	18	19	20	SALEABLE		34950-2011	34950-2021	34951-1631	34951-1641
MX150 ASSY BLD 2X10 LG B/18	334822337	B-LIGHT GRAY	GCP	PLR	M-B	-	-	-	-	-	-	-	-	-	-	-	-	-	-	-	-	-	-	19	20	SALEABLE		34950-2011	34950-2021	34951-1631	34951-1641
MX150 ASSY BLD 2X10 LG B/16	334822338	B-LIGHT GRAY	GCP	PLR	M-B	-	2	-	4	-	-	-	-	-	-	-	-	-	-	-	-	-	19	20	SALEABLE		34950-2011	34950-2021	34951-1631	34951-1641	
MX150 ASSY BLD 2X10 LG B/9	334822339	B-LIGHT GRAY	GCP	PLR	M-B	-	-	-	-	5	6	-	-	-	-	11	12	13	14	15	-	17	18	19	20	SALEABLE		34950-2011	34950-2021	34951-1631	34951-1641
MX150 ASSY BLD 2X10 BK A/14	334822340	A-BLACK	GCP	PLR	M-B	-	2	3	-	5	6	-	-	-	-	-	12	13	-	-	-	-	-	-	-	SALEABLE		34950-2011	34950-2021	34951-1631	34951-1641
MX150 ASSY BLD 2X10 BK A/17	334822341	A-BLACK	GCP	PLR	M-B	-	-	-	-	5	6	-	-	-	-	-	-	-	-	-	-	-	19	-	SALEABLE		34950-2011	34950-2021	34951-1631	34951-1641	
MX150 ASSY BLD 2X10 LG B/10	334822342	B-LIGHT GRAY	GCP	PLR	M-B	-	-	-	-	5	6	-	-	-	-	11	12	13	14	15	-	17	18	-	20	SALEABLE		34950-2011	34950-2021	34951-1631	34951-1641
MX150 ASSY BLD 2X10 LG B/17	334822343	B-LIGHT GRAY	GCP	PLR	M-B	-	-	-	-	-	-	-	-	-	-	-	-	-	-	-	-	17	18	-	20	SALEABLE		34950-2011	34950-2021	34951-1631	34951-1641
MX150 ASSY BLD 2X10 LG B/15	334822344	B-LIGHT GRAY	GCP	PLR	M-B	-	-	-	-	-	-	-	-	-	-	-	-	-	14	15	-	17	18	-	20	SALEABLE		34950-2011	34950-2021	34951-1631	34951-1641
MX150 ASSY BLD 2X10 LG B/19	334822345	B-LIGHT GRAY	GCP	PLR	M-B	-	-	-	-	-	-	-	-	-	-	-	-	-	-	-	-	-	-	20	SALEABLE		34950-2011	34950-2021	34951-1631	34951-1641	
MX150 ASSY BLD 2X10 BK A/18	334822346	A-BLACK	GCP	PLR	M-B	-	-	-	-	-	-	-	-	-	-	-	-	-	-	-	-	-	19	20	SALEABLE		34950-2011	34950-2021	34951-1631	34951-1641	
MX150 ASSY BLD 2X10 BK A/4	334822347	A-BLACK	GCP	PLR	M-B	-	2	3	4	5	6	7	8	9	-	-	12	13	14	15	16	17	18	19	-	SALEABLE		34950-2011	34950-2021	34951-1631	34951-1641
MX150 ASSY BLD 2X10 BK A/16	334822348	A-BLACK	GCP	PLR	M-B	-	2	-	-	-	6	-	-	-	10	-	-	-	-	15	-	-	-	-	-	SALEABLE		34950-2011	34950-2021	34951-1631	34951-1641
MX150 ASSY BLD 2X10 BK A/12	334822349	A-BLACK	GCP	PLR	M-B	-	-	3	4	5	-	7	-	-	10	-	-	-	-	-	-	-	18	19	20	SALEABLE		34950-2011	34950-2021	34951-1631	34951-1641
MX150 ASSY BLD 2X10 BK A/9	334822350	A-BLACK	GCP	PLR	M-B	-	-	3	4	-	6	-	8	9	-	-	12	13	14	15	16	17	-	-	-	SALEABLE		34950-2011	34950-2021	34951-1631	34951-1641
MX150 ASSY BLD 2X10 BK A/15	334822351	A-BLACK	GCP	PLR	M-B	-	-	3	4	5	-	-	-	-	-	-	-	-	-	-	-	-	18	19	-	SALEABLE		34950-2011	34950-2021	34951-1631	34951-1641
MX150 ASSY BLD 2X10 BK A/14	334822352	A-BLACK	GCP	PLR	M-B	-	-	3	4	5	6	-	-	-	-	-	-	-	-	-	-	-	18	19	-	SALEABLE		34950-2011	34950-2021	34951-1631	34951-1641
MX150 ASSY BLD 2X10 LG B/17	334822353	B-LIGHT GRAY	GCP	PLR	M-B	-	-	-	-	5	6	-	-	-	-	-	-	-	-	-	-	-	-	19	-	SALEABLE		34950-2011	34950-2021	34951-1631	34951-1641
MX150 ASSY BLD 2X10 BK A/15	334822354	A-BLACK	GCP	PLR	M-B	-	2	3	-	-	6	-	-	-	10	-	12	-	-	-	-	-	-	-	-	SALEABLE		34950-2011	34950-2021	34951-1631	34951-1641
MX150 ASSY BLD 2X10 BK A/8	334822355	A-BLACK	GCP	PLR	M-B	1	-	3	4	5	6	7	8	9	10	11	12	-	-	-	-	-	-	-	20	SALEABLE		34950-2011	34950-2021	34951-1631	34951-1641

ASSEMBLY DESCRIPTION	ASSEMBLY PART NUMBER	COMPONENT				BLOCKED TERMINALS										STATUS	COMMENT	OPTIONAL ATTACHMENTS SOLD SEPARATELY															
		THE PRESENCE OF AN ABBREVIATION INDICATES THE PRESENCE OF THAT COMPONENT				CAVITY WITH A NUMBER INDICATES BLOCKED TERMINAL POSITION CAVITY WITHOUT A NUMBER INDICATES OPEN TERMINAL POSITION												BACKSHELL WITH RIBS	BACKSHELL WITHOUT RIBS	90° ADAPTOR WITH RIBS	90° ADAPTOR WITHOUT RIBS												
		HOUSING KEY/COLOR	GROMMET CAP	PLR	MAT SEAL	1	2	3	4	5	6	7	8	9	10							11	12	13	14	15	16	17	18	19	20		
MX150 ASSY BLD 2X10 BK A/14	334822356	A-BLACK	GCP	PLR	M-B	1	-	-	-	-	-	-	-	9	10	11	12	-	-	-	-	-	-	-	-	-	-	SALEABLE		34950-2011	34950-2021	34951-1631	34951-1641
MX150 ASSY BLD 2X10 LG B/6	334822357	B-LIGHT GRAY	GCP	PLR	M-B	-	-	-	-	5	6	7	8	9	10	11	12	13	14	-	-	17	18	19	20	SALEABLE		34950-2011	34950-2021	34951-1631	34951-1641		
MX150 ASSY BLD 2X10 BK A/12	334822358	A-BLACK	GCP	PLR	M-B	-	-	-	-	5	-	-	-	9	-	-	12	-	-	15	16	-	18	19	20	SALEABLE		34950-2011	34950-2021	34951-1631	34951-1641		
MX150 ASSY BLD 2X10 LG B/8	334822359	B-LIGHT GRAY	GCP	PLR	M-B	1	2	3	4	5	6	7	8	-	-	-	-	13	-	-	16	-	-	19	20	SALEABLE		34950-2011	34950-2021	34951-1631	34951-1641		
MX150 ASSY BLD 2X10 BK A/11	334822360	A-BLACK	GCP	PLR	M-B	1	2	-	-	-	-	-	8	9	10	-	-	-	14	-	-	17	18	19	-	SALEABLE		34950-2011	34950-2021	34951-1631	34951-1641		
MX150 ASSY BLD 2X10 BK A/11	334822361	A-BLACK	GCP	PLR	M-B	1	2	-	-	-	-	-	-	9	10	-	-	-	14	-	16	17	18	19	-	SALEABLE		34950-2011	34950-2021	34951-1631	34951-1641		
MX150 ASSY BLD 2X10 BK A/14	334822362	A-BLACK	GCP	PLR	M-B	-	-	-	-	-	-	-	-	9	10	-	-	-	14	-	-	17	18	19	-	SALEABLE		34950-2011	34950-2021	34951-1631	34951-1641		
MX150 ASSY BLD 2X10 BK A/10	334822363	A-BLACK	GCP	PLR	M-B	1	2	3	-	-	6	7	-	-	10	11	12	-	-	-	16	-	-	19	-	SALEABLE		34950-2011	34950-2021	34951-1631	34951-1641		
MX150 ASSY BLD 2X10 BK A/8	334822364	A-BLACK	GCP	PLR	M-B	1	-	-	-	-	-	-	8	9	10	-	12	-	14	15	16	17	18	19	20	SALEABLE		34950-2011	34950-2021	34951-1631	34951-1641		
MX150 ASSY BLD 2X10 BK A/12	334822365	A-BLACK	GCP	PLR	M-B	1	-	-	-	-	-	-	-	-	-	-	-	-	14	15	16	17	18	19	20	SALEABLE		34950-2011	34950-2021	34951-1631	34951-1641		
MX150 ASSY BLD 2X10 BK A/6	334822366	A-BLACK	GCP	PLR	M-B	1	-	-	-	-	-	-	8	9	10	11	12	13	14	15	16	17	18	19	20	SALEABLE		34950-2011	34950-2021	34951-1631	34951-1641		
MX150 ASSY BLD 2X10 BK A/16	334822367	A-BLACK	GCP	PLR	M-B	1	-	-	-	-	-	-	-	-	-	11	-	-	-	-	-	-	-	19	20	SALEABLE		34950-2011	34950-2021	34951-1631	34951-1641		
MX150 ASSY BLD 2X10 BK A/16	334822368	A-BLACK	GCP	PLR	M-B	-	-	3	-	-	6	-	8	9	-	-	-	-	-	-	-	-	-	-	-	SALEABLE		34950-2011	34950-2021	34951-1631	34951-1641		
MX150 ASSY BLD 2X10 BK A/15	334822369	A-BLACK	GCP	PLR	M-B	-	-	-	-	-	-	-	-	9	-	-	-	-	-	-	-	17	18	19	20	SALEABLE		34950-2011	34950-2021	34951-1631	34951-1641		
MX150 ASSY BLD 2X10 BK A/18	334822370	A-BLACK	GCP	PLR	M-B	-	-	-	-	-	6	-	-	-	-	-	-	-	-	-	-	-	-	19	-	SALEABLE		34950-2011	34950-2021	34951-1631	34951-1641		
MX150 ASSY BLD 2X10 LG B/18	334822371	B-LIGHT GRAY	GCP	PLR	M-B	-	-	-	-	-	6	-	-	-	-	-	-	-	-	-	-	-	-	19	-	SALEABLE		34950-2011	34950-2021	34951-1631	34951-1641		
MX150 ASSY BLD 2X10 BK A/10	334822372	A-BLACK	GCP	PLR	M-B	1	2	-	-	-	-	7	8	9	10	-	12	13	-	-	-	17	18	-	-	SALEABLE		34950-2011	34950-2021	34951-1631	34951-1641		
MX150 ASSY BLD 2X10 BK A/14	334822373	A-BLACK	GCP	PLR	M-B	-	-	3	-	5	6	-	-	-	-	11	12	13	-	-	-	-	-	-	-	SALEABLE		34950-2011	34950-2021	34951-1631	34951-1641		
MX150 ASSY BLD 2X10 BK A/16	334822374	A-BLACK	GCP	PLR	M-B	-	-	3	-	-	6	-	-	-	-	-	12	13	-	-	-	-	-	-	-	SALEABLE		34950-2011	34950-2021	34951-1631	34951-1641		
MX150 ASSY BLD 2X10 BK A/18	334822375	A-BLACK	GCP	PLR	M-B	-	-	-	-	-	-	-	8	-	-	-	-	-	-	-	-	17	-	-	-	SALEABLE		34950-2011	34950-2021	34951-1631	34951-1641		
MX150 ASSY BLD 2X10 BK A/15	334822376	A-BLACK	GCP	PLR	M-B	-	-	-	-	5	-	-	8	-	-	11	-	-	14	-	-	17	-	-	-	SALEABLE		34950-2011	34950-2021	34951-1631	34951-1641		
MX150 ASSY BLD 2X10 BK A/12	334822377	A-BLACK	GCP	PLR	M-B	1	-	3	-	5	6	7	-	-	-	11	12	13	-	-	-	-	-	-	-	SALEABLE		34950-2011	34950-2021	34951-1631	34951-1641		
MX150 ASSY BLD 2X10 BK A/12	334822378	A-BLACK	GCP	PLR	M-B	1	-	3	4	-	-	-	-	9	-	11	12	13	-	-	-	-	-	-	20	SALEABLE		34950-2011	34950-2021	34951-1631	34951-1641		
MX150 ASSY BLD 2X10 BK A/15	334822379	A-BLACK	GCP	PLR	M-B	-	-	-	-	-	-	-	-	9	-	11	12	13	-	-	-	-	-	-	20	SALEABLE		34950-2011	34950-2021	34951-1631	34951-1641		
MX150 ASSY BLD 2X10 BK A/12	334822380	A-BLACK	GCP	PLR	M-B	-	2	3	-	5	6	-	8	-	-	11	12	13	-	-	-	-	-	-	-	SALEABLE		34950-2011	34950-2021	34951-1631	34951-1641		
MX150 ASSY BLD 2X10 BK A/14	334822381	A-BLACK	GCP	PLR	M-B	-	2	3	-	-	6	-	8	-	-	-	12	13	-	-	-	-	-	-	-	SALEABLE		34950-2011	34950-2021	34951-1631	34951-1641		
MX150 ASSY BLD 2X10 BK A/10	334822382	A-BLACK	GCP	PLR	M-B	1	2	3	-	5	6	7	8	-	-	11	12	13	-	-	-	-	-	-	-	SALEABLE		34950-2011	34950-2021	34951-1631	34951-1641		

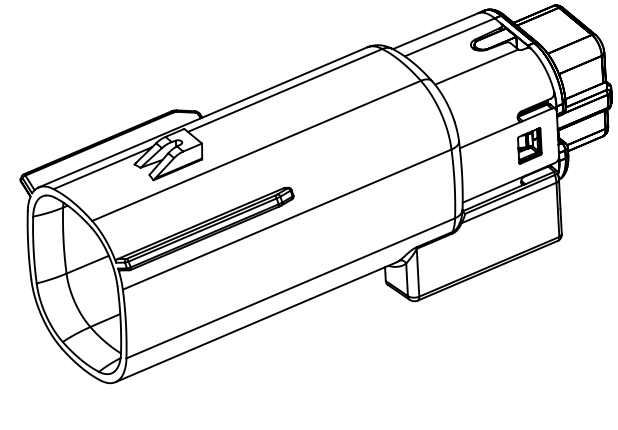
ASSEMBLY DESCRIPTION	ASSEMBLY PART NUMBER	COMPONENT				BLOCKED TERMINALS										STATUS	COMMENT	OPTIONAL ATTACHMENTS SOLD SEPARATELY			
		THE PRESENCE OF AN ABBREVIATION INDICATES THE PRESENCE OF THAT COMPONENT				CAVITY WITH A NUMBER INDICATES BLOCKED TERMINAL POSITION CAVITY WITHOUT A NUMBER INDICATES OPEN TERMINAL POSITION												BACKSHELL WITH RIBS	BACKSHELL WITHOUT RIBS	90° ADAPTOR WITH RIBS	90° ADAPTOR WITHOUT RIBS
		HOUSING KEY/COLOR	GROMMET CAP	PLR	MAT SEAL																
MX150 ASSY BLD 2X10 BK A/15	334822383	A-BLACK	GCP	PLR	M-B	-	-	-	-	-	-	-	-	9	10	SALEABLE		34950-2011	34950-2021	34951-1631	34951-1641
						11	12	-	-	-	-	-	-	-	20						
MX150 ASSY BLD 2X10 BK A/13	334822384	A-BLACK	GCP	PLR	M-B	1	-	3	4	-	-	-	-	9	10	SALEABLE		34950-2011	34950-2021	34951-1631	34951-1641
						-	12	-	-	-	-	-	-	-	20						
MX150 ASSY BLD 2X10 BK A/8	334822385	A-BLACK	GCP	PLR	M-B	1	2	3	4	5	6	-	8	-	-	SALEABLE		34950-2011	34950-2021	34951-1631	34951-1641
						-	-	13	-	-	-	17	18	19	20						
MX150 ASSY BLD 2X10 BK A/14	334822386	A-BLACK	GCP	PLR	M-B	-	-	-	-	-	-	7	-	9	-	SALEABLE		34950-2011	34950-2021	34951-1631	34951-1641
						-	-	-	14	15	-	-	-	19	20						
MX150 ASSY BLD 2X10 BK A/10	334822387	A-BLACK	GCP	PLR	M-B	1	2	3	4	5	6	-	8	-	-	SALEABLE		34950-2011	34950-2021	34951-1631	34951-1641
						-	-	13	-	-	-	-	-	19	20						
MX150 ASSY BLD 2X10 BK A/12	334822388	A-BLACK	GCP	PLR	M-B	1	-	3	4	-	-	-	-	9	10	SALEABLE		34950-2011	34950-2021	34951-1631	34951-1641
						11	12	-	-	-	-	-	-	-	20						
MX150 ASSY BLD 2X10 BK A/15	334822389	A-BLACK	GCP	PLR	M-B	-	-	-	-	-	-	-	-	9	10	SALEABLE		34950-2011	34950-2021	34951-1631	34951-1641
						11	12	-	-	-	-	-	-	-	20						
MX150 ASSY BLD 2X10 BK A/20	334822390	A-BLACK	GCO	PLR	M-B	-	-	-	-	-	-	-	-	-	-	SALEABLE		34950-2011	34950-2021	34951-1631	34951-1641
						-	-	-	-	-	-	-	-	-	-						
MX150 ASSY BLD 2X10 BK A/13	334822391	A-BLACK	GCP	PLR	M-B	-	-	3	-	-	-	-	-	-	-	SALEABLE		34950-2011	34950-2021	34951-1631	34951-1641
						11	-	-	-	-	16	17	18	19	20						
MX150 ASSY BLD 2X10 BK A/11	334822392	A-BLACK	GCP	PLR	M-B	-	-	3	-	-	-	-	-	-	-	SALEABLE		34950-2011	34950-2021	34951-1631	34951-1641
						11	12	13	-	-	16	17	18	19	20						
MX150 ASSY BLD 2X10 BK A/8	334822393	A-BLACK	GCP	PLR	M-B	1	-	3	-	-	-	-	-	9	10	SALEABLE		34950-2011	34950-2021	34951-1631	34951-1641
						11	12	13	-	-	16	17	18	19	20						
MX150 ASSY BLD 2X10 BK A/10	334822394	A-BLACK	GCP	PLR	M-B	1	-	3	-	-	-	-	-	9	10	SALEABLE		34950-2011	34950-2021	34951-1631	34951-1641
						11	-	-	-	-	16	17	18	19	20						
MX150 ASSY BLD 2X10 BK A/19	334822395	A-BLACK	GCP	PLR	M-B	-	-	-	-	-	-	-	-	-	-	SALEABLE		34950-2011	34950-2021	34951-1631	34951-1641
						-	-	-	-	-	-	-	18	-	-						
MX150 ASSY BLD 2X10 SG D/19	334822396	D-STONE GRAY	GCP	PLR	M-B	1	-	-	-	-	-	-	-	-	-	SALEABLE		34950-2011	34950-2021	34951-1631	34951-1641
						-	-	-	-	-	-	-	-	-	-						
MX150 ASSY BLD 2X10 DG C/19	334822397	C-DARK GRAY	GCP	PLR	M-B	1	-	-	-	-	-	-	-	-	-	SALEABLE		34950-2011	34950-2021	34951-1631	34951-1641
						-	-	-	-	-	-	-	-	-	-						
MX150 ASSY BLD 2X10 BK A/18	334822398	A-BLACK	GCP	PLR	M-B	-	-	-	-	-	-	-	-	-	-	SALEABLE		34950-2011	34950-2021	34951-1631	34951-1641
						-	-	-	-	-	-	-	-	19	20						
MX150 ASSY BLD 2X10 BK A/9	334822399	A-BLACK	GCP	PLR	M-B	1	2	-	-	-	-	-	-	-	-	SALEABLE		34950-2011	34950-2021	34951-1631	34951-1641
						-	12	13	14	15	16	17	18	19	20						
MX150 ASSY BLD 2X10 BK A/16	334822400	A-BLACK	GCP	PLR	M-B	1	2	-	-	-	-	-	-	-	-	SALEABLE		34950-2011	34950-2021	34951-1631	34951-1641
						-	-	-	-	-	-	-	-	19	20						
MX150 ASSY BLD 2X10 BK A/18	334822401	A-BLACK	GCP	PLR	M-B	-	-	-	-	-	-	-	-	-	-	SALEABLE		34950-2011	34950-2021	34951-1631	34951-1641
						-	12	-	14	-	-	-	-	-	-						
MX150 ASSY BLD 2X10 BK A/13	334822402	A-BLACK	GCP	PLR	M-B	-	-	3	-	-	6	-	-	-	-	SALEABLE		34950-2011	34950-2021	34951-1631	34951-1641
						11	-	-	-	-	-	17	18	19	20						
MX150 ASSY BLD 2X10 BK A/16	334822403	A-BLACK	GCP	PLR	M-B	1	-	-	-	-	-	-	8	9	-	SALEABLE		34950-2011	34950-2021	34951-1631	34951-1641
						-	-	-	-	-	16	-	-	-	-						
MX150 ASSY BLD 2X10 BK A/6	334822404	A-BLACK	GCP	PLR	M-B	1	2	3	4	5	6	7	8	-	-	SALEABLE		34950-2011	34950-2021	34951-1631	34951-1641
						-	12	13	14	-	16	-	-	19	20						
MX150 ASSY BLD 2X10 BK A/17	334822405	A-BLACK	GCP	PLR	M-B	-	-	-	-	-	-	-	-	-	-	SALEABLE		34950-2011	34950-2021	34951-1631	34951-1641
						-	-	-	-	15	-	-	-	19	20						
MX150 ASSY BLD 2X10 BK A/14	334822406	A-BLACK	GCP	PLR	M-B	-	-	-	-	-	-	-	-	9	-	SALEABLE		34950-2011	34950-2021	34951-1631	34951-1641
						-	-	13	14	-	-	-	18	19	20						
MX150 ASSY BLD 2X10 BK A/8	334822407	A-BLACK	GCP	PLR	M-B	1	2	-	-	-	-	-	-	-	-	SALEABLE		34950-2011	34950-2021	34951-1631	34951-1641
						11	12	13	14	15	16	17	18	19	20						
MX150 ASSY BLD 2X10 BK A/10	334822408	A-BLACK	GCP	PLR	M-B	1	2	-	-	-	-	-	-	-	-	SALEABLE		34950-2011	34950-2021	34951-1631	34951-1641
						-	-	13	14	15	16	17	18	19	20						
MX150 ASSY BLD 2X10 BK A/15	334822409	A-BLACK	GCP	PLR	M-B	-	-	-	-	-	-	-	-	-	10	SALEABLE		34950-2011	34950-2021	34951-1631	34951-1641
						11	12	-	-	15	-	-	-	-	20						

ASSEMBLY DESCRIPTION	ASSEMBLY PART NUMBER	COMPONENT				BLOCKED TERMINALS										STATUS	COMMENT	OPTIONAL ATTACHMENTS SOLD SEPARATELY											
		THE PRESENCE OF AN ABBREVIATION INDICATES THE PRESENCE OF THAT COMPONENT				CAVITY WITH A NUMBER INDICATES BLOCKED TERMINAL POSITION CAVITY WITHOUT A NUMBER INDICATES OPEN TERMINAL POSITION												BACKSHELL WITH RIBS	BACKSHELL WITHOUT RIBS	90° ADAPTOR WITH RIBS	90° ADAPTOR WITHOUT RIBS								
		HOUSING KEY/COLOR	GROMMET CAP	PLR	MAT SEAL	1	2	3	4	5	6	7	8	9	10							11	12	13	14	15	16	17	18
MX150 ASSY BLD 2X10 BK A/17	334822410	A-BLACK	GCP	PLR	M-B	1	-	-	-	-	-	-	-	-	-	-	-	-	-	-	-	-	10	SALEABLE		34950-2011	34950-2021	34951-1631	34951-1641
MX150 ASSY BLD 2X10 BK A/17	334822411	A-BLACK	GCP	PLR	M-B	-	2	-	-	5	6	-	-	-	-	-	-	-	-	-	-	-	-	SALEABLE		34950-2011	34950-2021	34951-1631	34951-1641
MX150 ASSY BLD 2X10 BK A/15	334822412	A-BLACK	GCP	PLR	M-B	-	2	-	-	5	6	7	-	-	-	-	-	-	-	-	-	-	-	SALEABLE		34950-2011	34950-2021	34951-1631	34951-1641
MX150 ASSY BLD 2X10 BK A/15	334822413	A-BLACK	GCP	PLR	M-B	-	2	-	-	5	6	-	-	-	-	-	-	-	-	-	-	-	-	SALEABLE		34950-2011	34950-2021	34951-1631	34951-1641
MX150 ASSY BLD 2X10 BK A/14	334822414	A-BLACK	GCP	PLR	M-B	-	2	3	-	5	6	-	-	-	-	-	-	-	-	-	-	-	-	SALEABLE		34950-2011	34950-2021	34951-1631	34951-1641
MX150 ASSY BLD 2X10 BK A/13	334822415	A-BLACK	GCP	PLR	M-B	-	2	-	-	5	6	7	-	-	-	-	-	-	-	-	-	-	-	SALEABLE		34950-2011	34950-2021	34951-1631	34951-1641
MX150 ASSY BLD 2X10 BK A/12	334822416	A-BLACK	GCP	PLR	M-B	-	2	3	-	5	6	-	-	-	-	-	-	-	-	-	-	-	-	SALEABLE		34950-2011	34950-2021	34951-1631	34951-1641
MX150 ASSY BLD 2X10 BK A/12	334822417	A-BLACK	GCP	PLR	M-B	-	2	3	-	5	6	7	-	-	-	-	-	-	-	-	-	-	-	SALEABLE		34950-2011	34950-2021	34951-1631	34951-1641
MX150 ASSY BLD 2X10 BK A/10	334822418	A-BLACK	GCP	PLR	M-B	-	2	3	-	5	6	7	-	-	-	-	-	-	-	-	-	-	-	SALEABLE		34950-2011	34950-2021	34951-1631	34951-1641
MX150 ASSY BLD 2X10 BK A/9	334822419	A-BLACK	GCP	PLR	M-B	-	2	-	4	5	6	7	8	9	10	-	-	-	-	-	-	-	-	SALEABLE		34950-2011	34950-2021	34951-1631	34951-1641
MX150 ASSY BLD 2X10 BK A/7	334822420	A-BLACK	GCP	PLR	M-B	-	2	-	4	5	6	7	8	9	10	-	-	-	-	-	-	-	-	SALEABLE		34950-2011	34950-2021	34951-1631	34951-1641
MX150 ASSY BLD 2X10 BK A/6	334822421	A-BLACK	GCP	PLR	M-B	-	2	3	4	5	6	7	8	9	10	-	-	-	-	-	-	-	-	SALEABLE		34950-2011	34950-2021	34951-1631	34951-1641
MX150 ASSY BLD 2X10 BK A/4	334822422	A-BLACK	GCP	PLR	M-B	-	2	3	4	5	6	7	8	9	10	-	-	-	-	-	-	-	-	SALEABLE		34950-2011	34950-2021	34951-1631	34951-1641
MX150 ASSY BLD 2X10 LTB A/20	334822423	A-LIGHT BLUE	GCO	PLR	M-B	-	-	-	-	-	-	-	-	-	-	-	-	-	-	-	-	-	-	SALEABLE		34950-2011	34950-2021	34951-1631	34951-1641

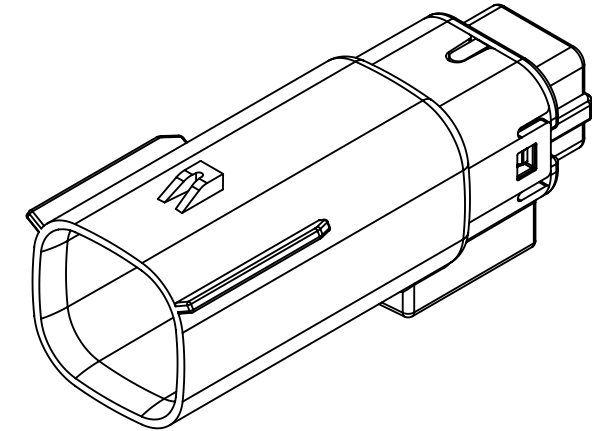
SHEET DESCRIPTION
CONFIGURATIONS



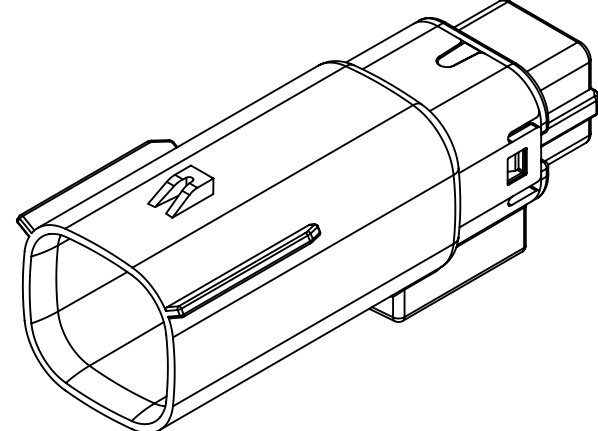
2X2 - STANDARD (STD)



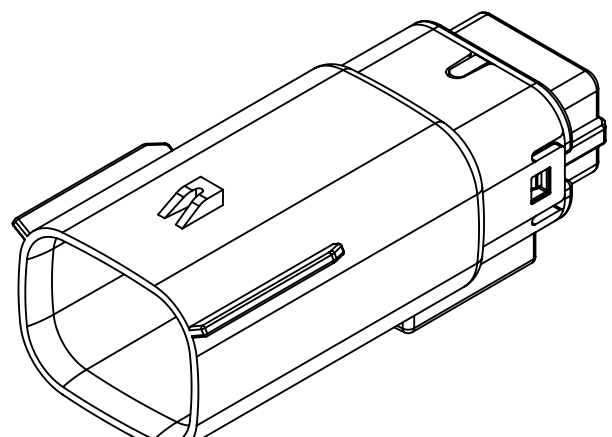
2X2 - UL V0*



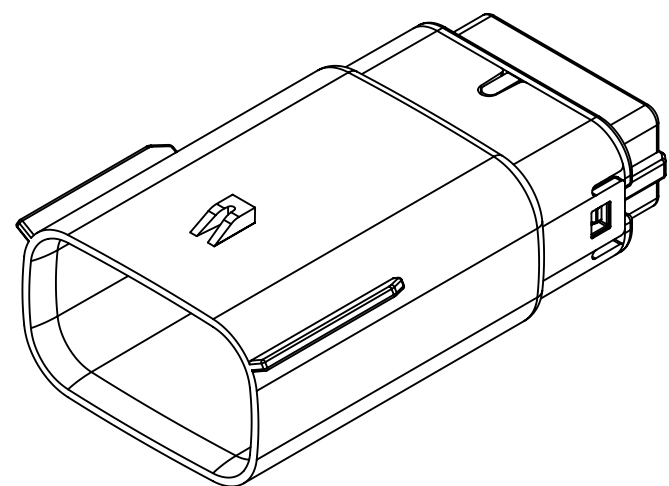
2X3 - STANDARD (STD)



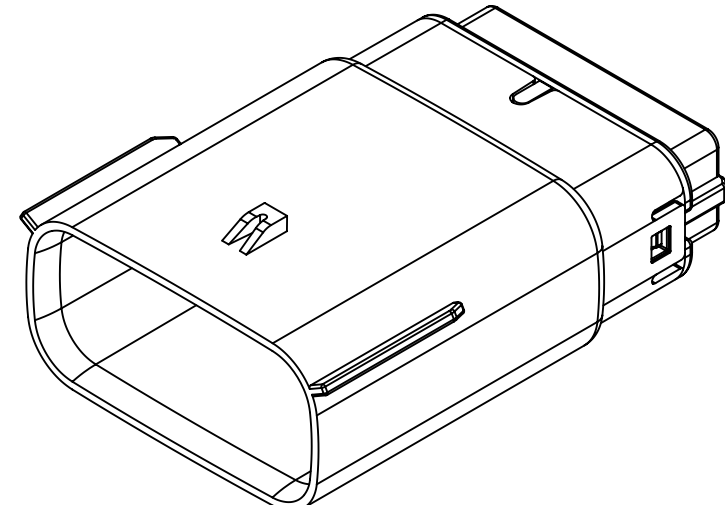
2X3 - LENGTHENED



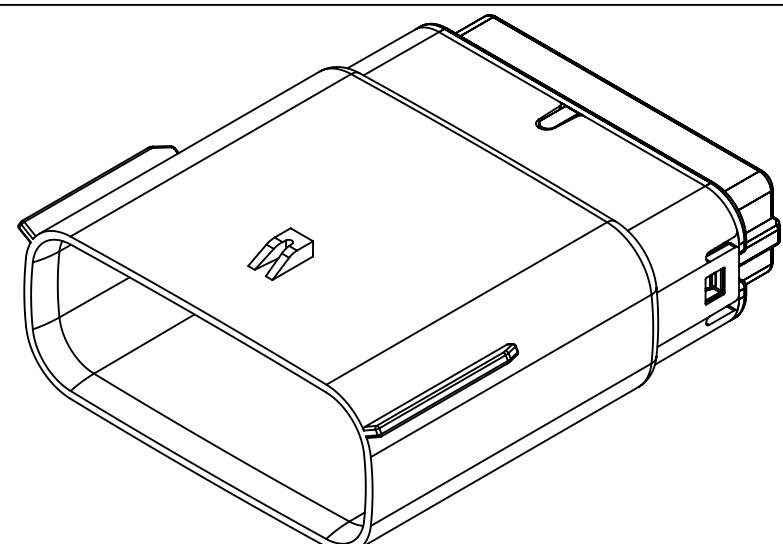
2X4 - STANDARD (STD)



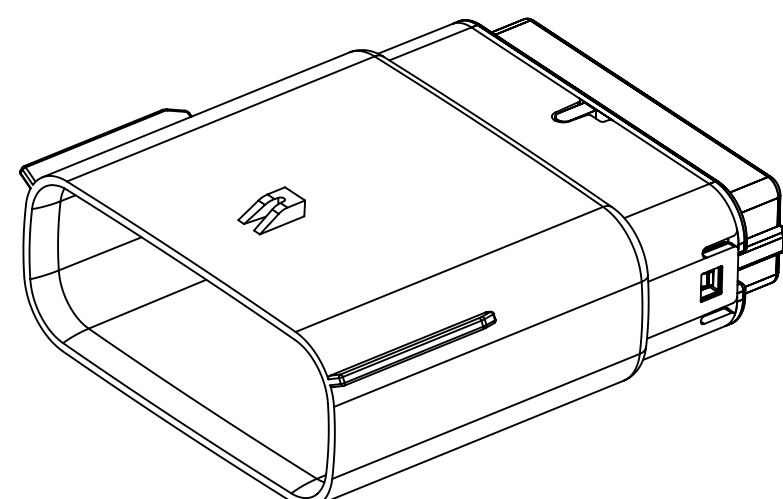
2X6 - STANDARD (STD)



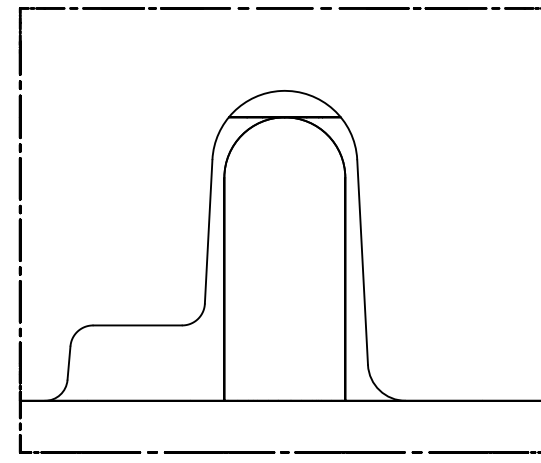
2X8 - STANDARD (STD)



2X10 - STANDARD (STD)



2X10 - UL V0*



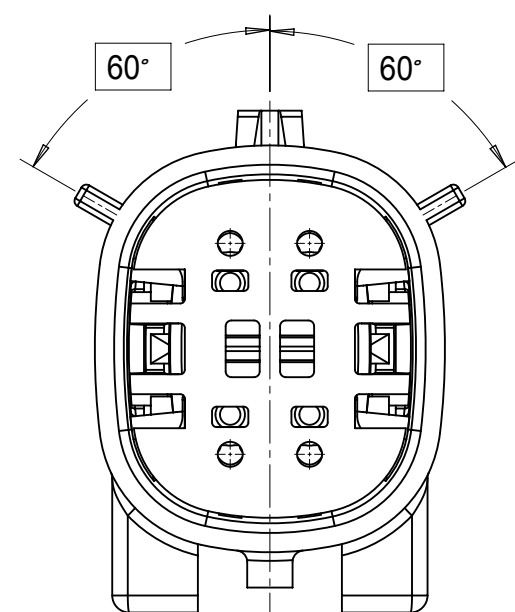
UL V0 UNIQUE FEATURE
Partial1
SCALE 10:1

* MINOR GEOMETRY CHANGE THAN STANDARD CONFIGURATION.
SEE NOTE 2a FOR MORE INFORMATION

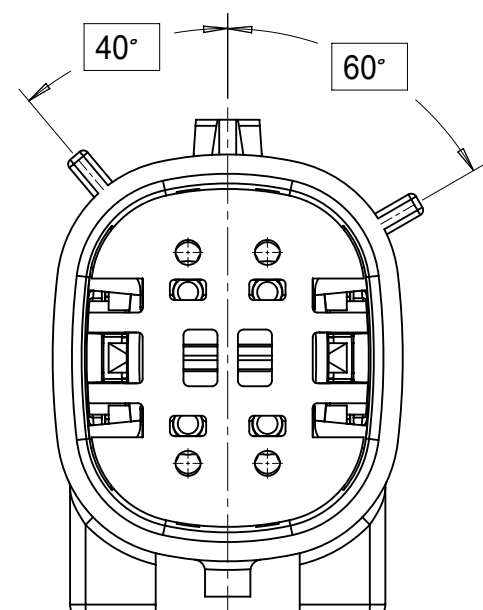
SYMBOLS	THIS DRAWING CONTAINS INFORMATION THAT IS PROPRIETARY TO MOLEX ELECTRONIC TECHNOLOGIES, LLC AND SHOULD NOT BE USED WITHOUT WRITTEN PERMISSION		CURRENT REV DESC:		molex
	DIMENSION UNITS	SCALE			
▽ = 0	mm	1.5:1	EC NO: 171650		MX150 BLADE DUAL ROW SEALED ASSEMBLY MAT SEAL
▽ = 0	GENERAL TOLERANCES (UNLESS SPECIFIED)		DRWN: PMANJUNATHAC 2018/01/03		
▽ = 0	ANGULAR TOL ± 1.0°		CHK'D: MVANSLAMBROU 2018/02/16		
▽ = 0	4 PLACES ±		APPR: MVANSLAMBROU 2018/02/16		
▽ = 0	3 PLACES ±		INITIAL REVISION:		
▽ = 0	2 PLACES ± 0.1		DRWN: APROFFITT 2014/04/28		
▽ = 0	1 PLACE ± 0.2		APPR: VKOSHY 2014/05/14		
▽ = 0	0 PLACES ±		THIRD ANGLE PROJECTION		
▽ = 0	DRAFT WHERE APPLICABLE MUST REMAIN WITHIN DIMENSIONS		DRAWING	SERIES	DOCUMENT NUMBER
			A1-SIZE	33482	SD-33482-0001
					DOC TYPE DOC PART REVISION
					PSD 001 E2
					PRODUCT CUSTOMER DRAWING
					CUSTOMER
					GENERAL MARKET
					SHEET NUMBER
					2 OF 11

SHEET DESCRIPTION
KEY CONFIGURATIONS

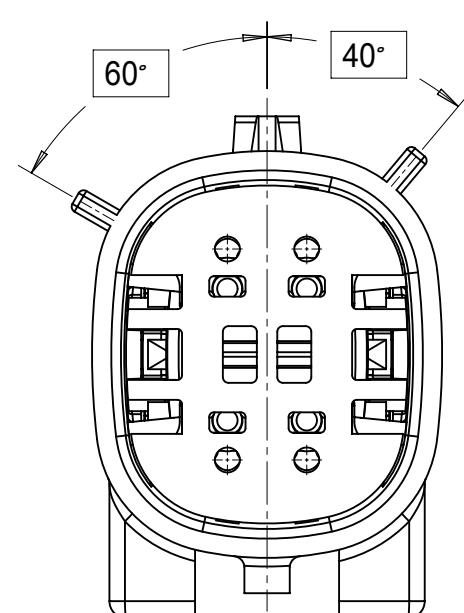
2X2



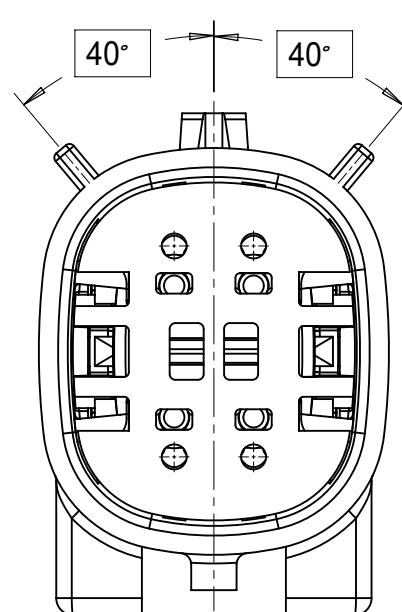
KEY A



KEY B

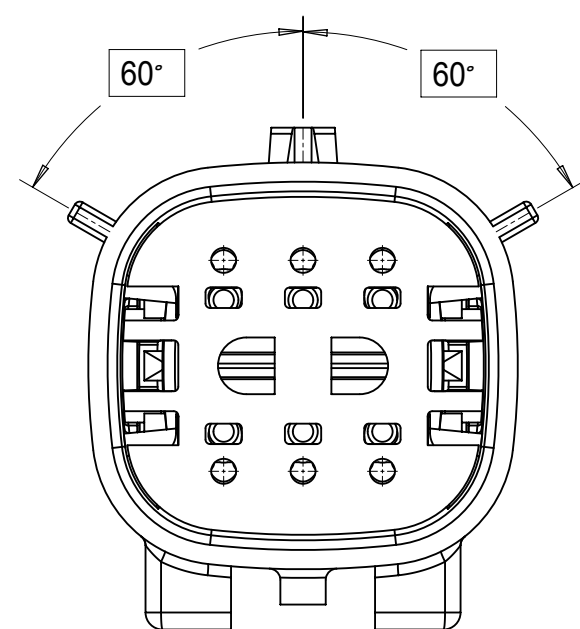


KEY C

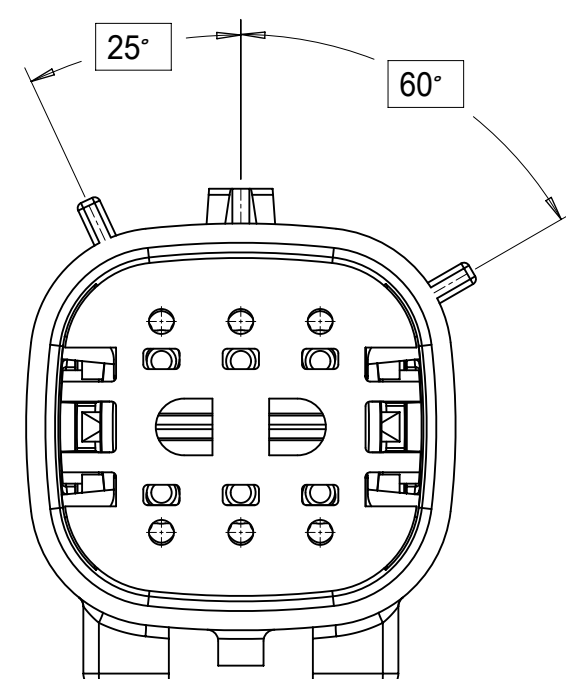


KEY D

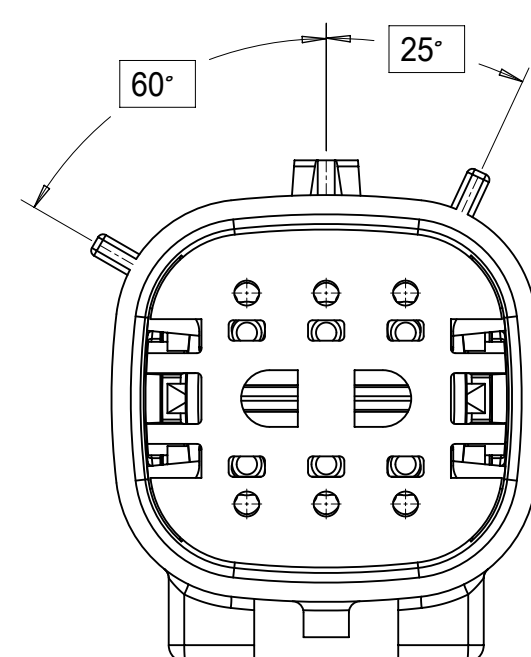
2X3



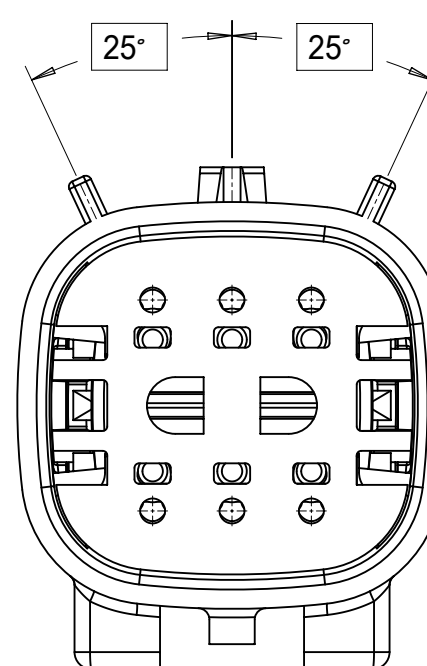
KEY A



KEY B

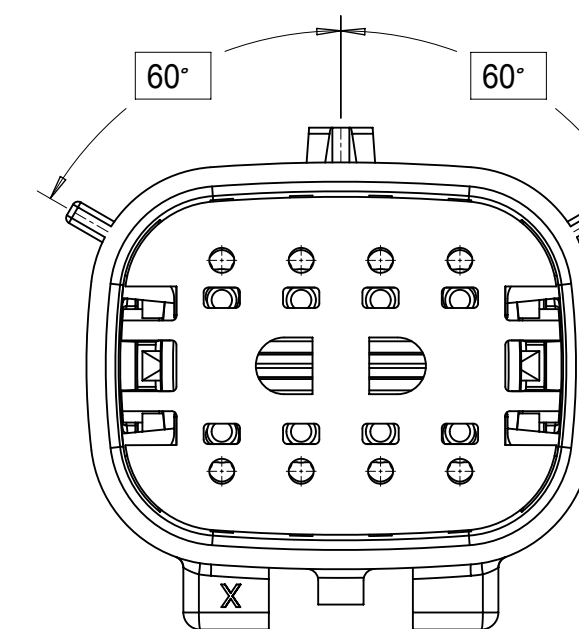


KEY C

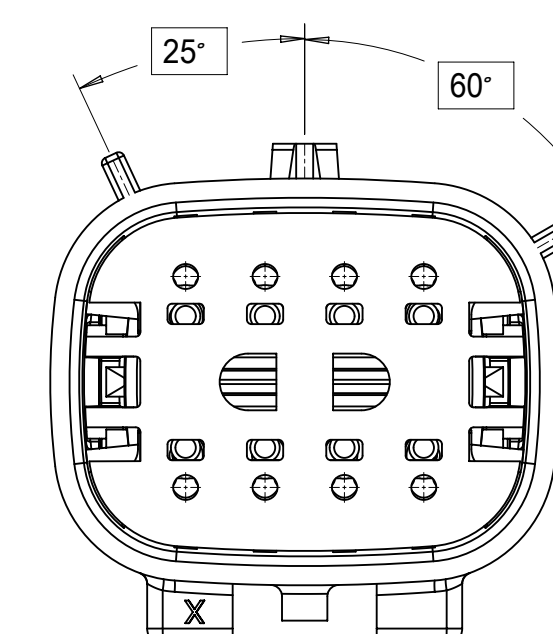


KEY D

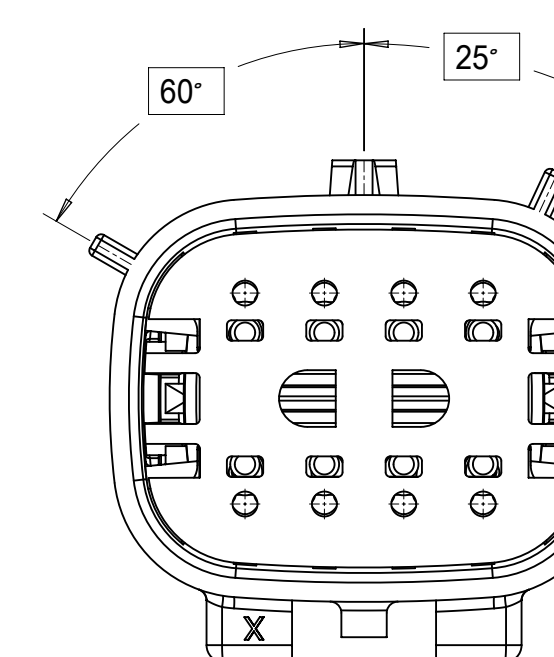
2X4



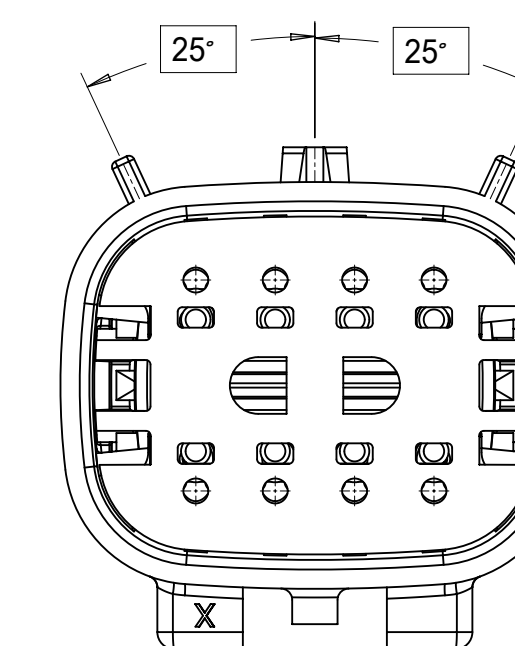
KEY A



KEY B



KEY C

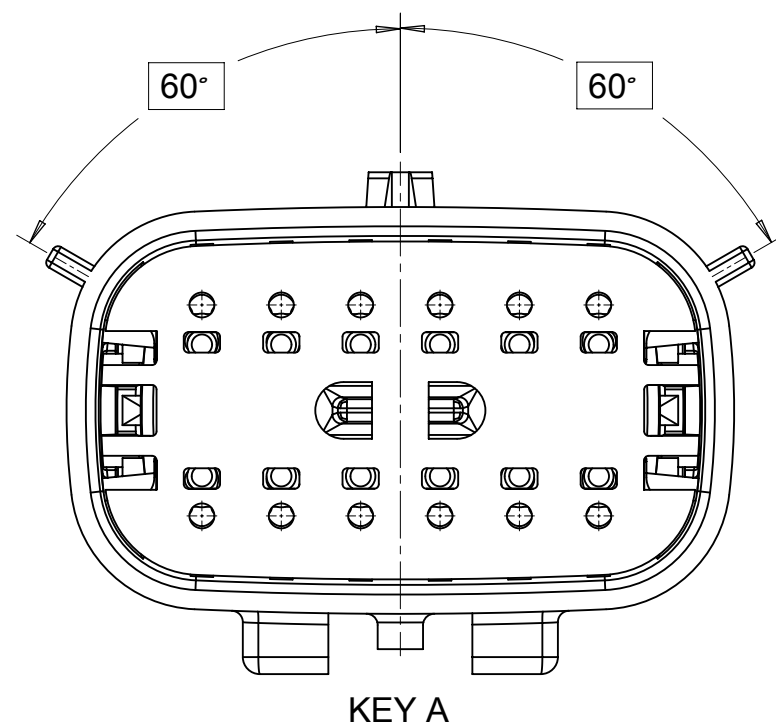


KEY D

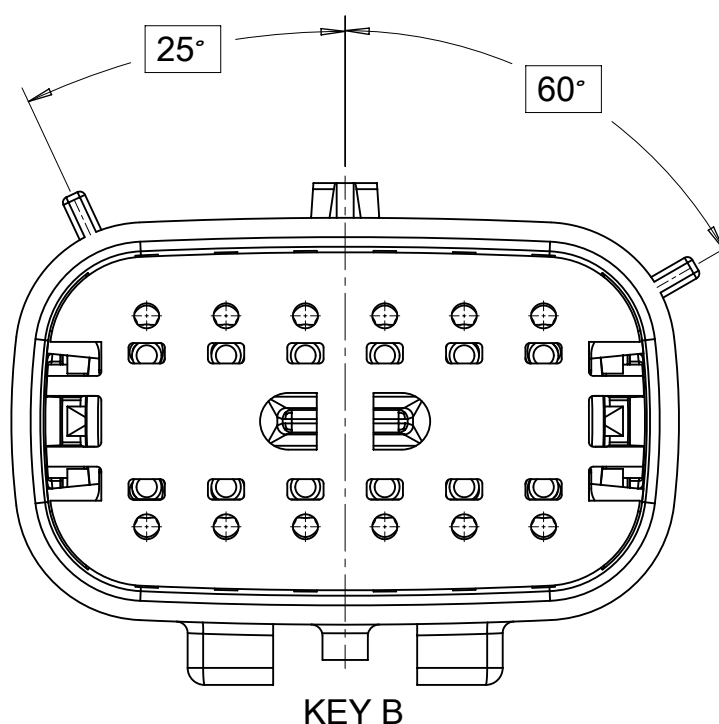
SYMBOLS = 0 = 0 = 0 = 0 = 0 = 0 = 0 = 0 = 0 = 0 = 0	THIS DRAWING CONTAINS INFORMATION THAT IS PROPRIETARY TO MOLEX ELECTRONIC TECHNOLOGIES, LLC AND SHOULD NOT BE USED WITHOUT WRITTEN PERMISSION DIMENSION UNITS: mm SCALE: 3:1	CURRENT REV DESC: EC NO: 171650 DRWN: PMANJUNATHAC 2018/01/03 CHK'D: MVANSLAMBROU 2018/02/16 APPR: MVANSLAMBROU 2018/02/16	 MX150 BLADE DUAL ROW SEALED ASSEMBLY MAT SEAL		
	GENERAL TOLERANCES (UNLESS SPECIFIED) ANGULAR TOL ± 1.0° 4 PLACES ± 3 PLACES ± 2 PLACES ± 0.1 1 PLACE ± 0.2 0 PLACES ±	INITIAL REVISION: DRWN: APROFFITT 2014/04/28 APPR: VKOSHY 2014/05/14	PRODUCT CUSTOMER DRAWING DOCUMENT NUMBER: SD-33482-0001 DOC TYPE: PSD DOC PART: 001 REVISION: E2	MATERIAL NUMBER: 33482 CUSTOMER: GENERAL MARKET SHEET NUMBER: 3 OF 11	
DRAFT WHERE APPLICABLE MUST REMAIN WITHIN DIMENSIONS 	THIRD ANGLE PROJECTION DRAWING: A1-SIZE SERIES: 33482				

SHEET DESCRIPTION
KEY CONFIGURATIONS CONT.

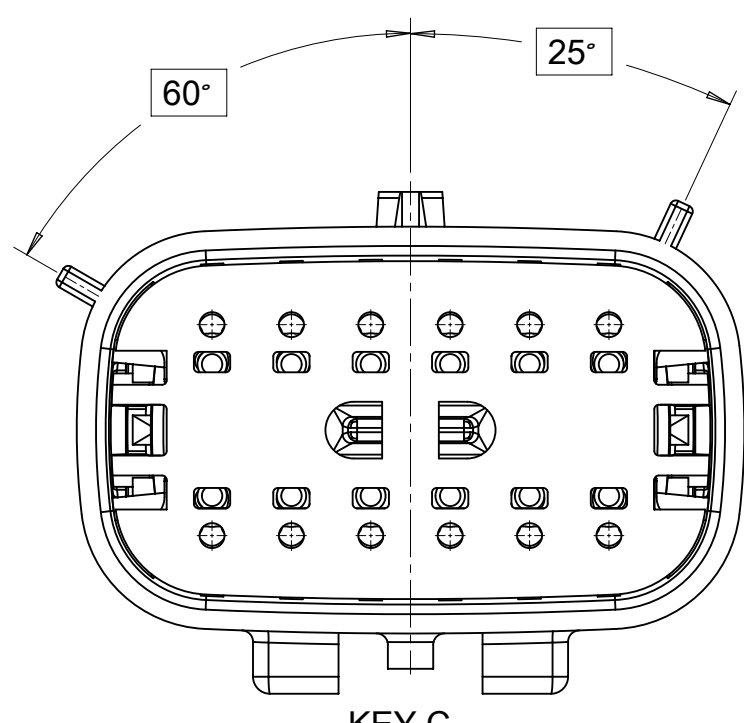
2X6



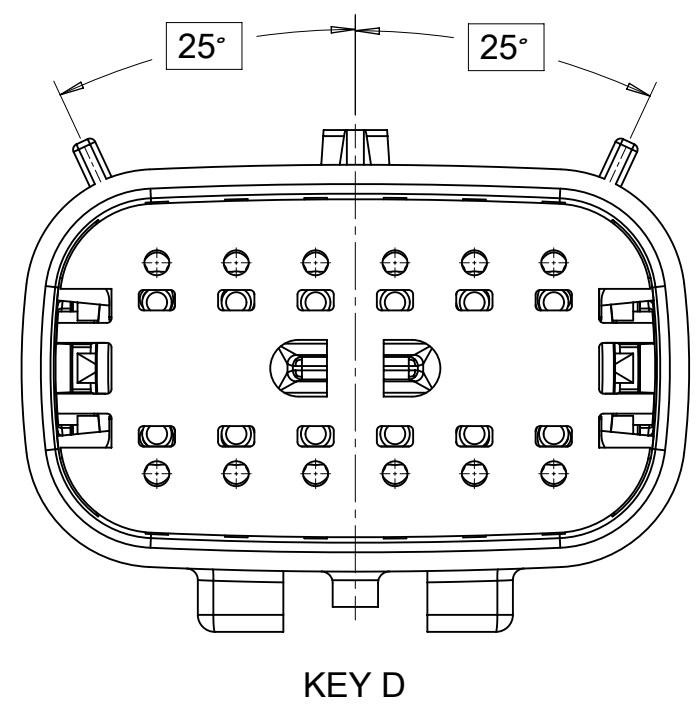
KEY A



KEY B

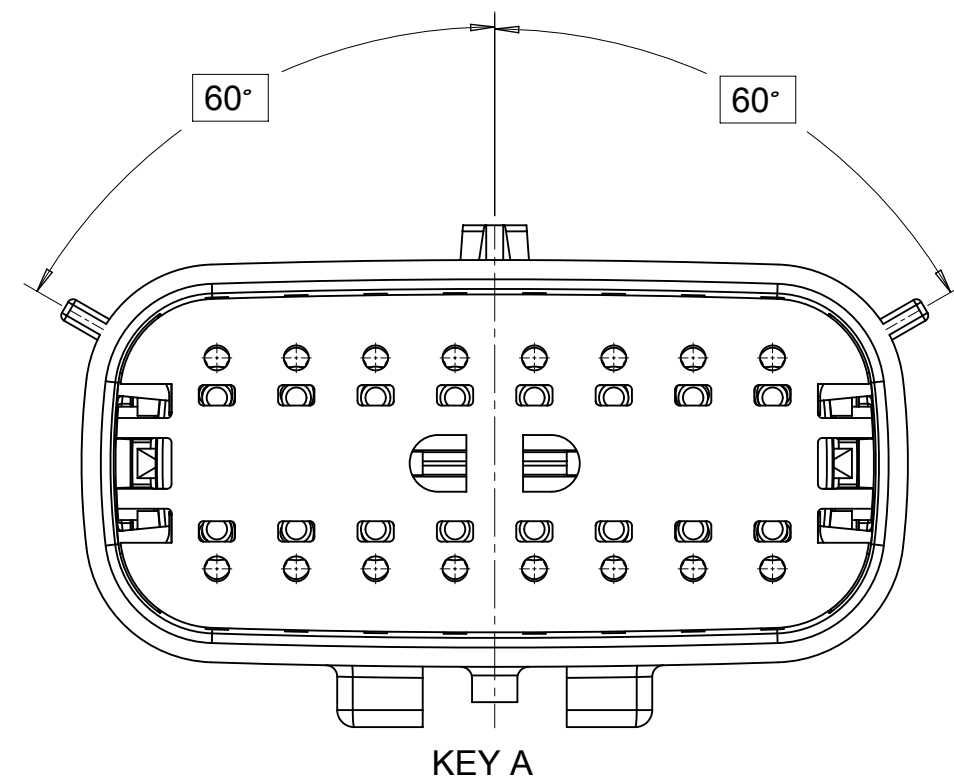


KEY C

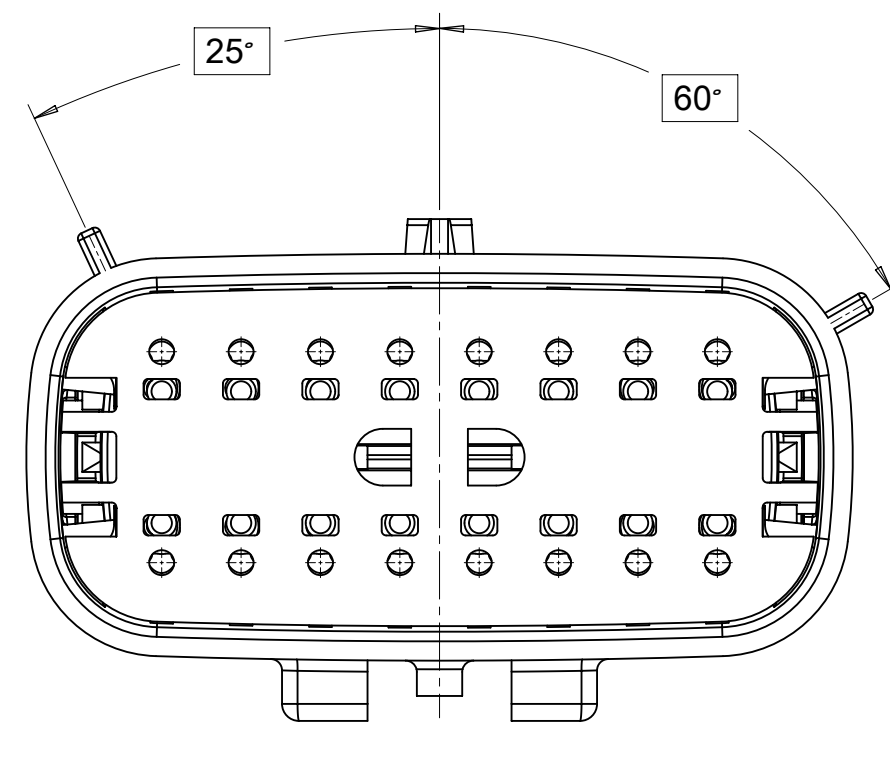


KEY D

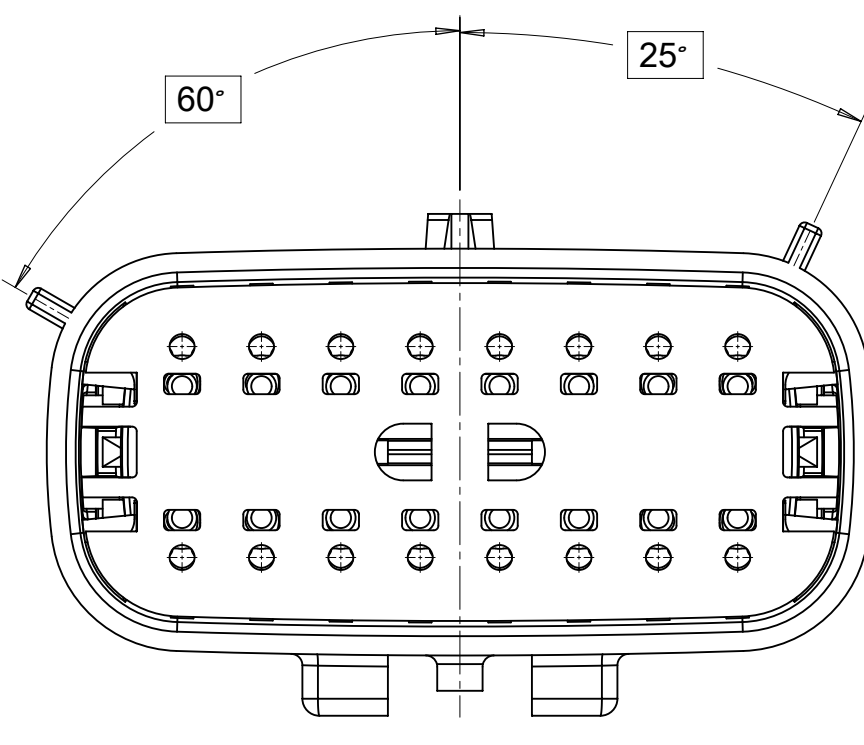
2X8



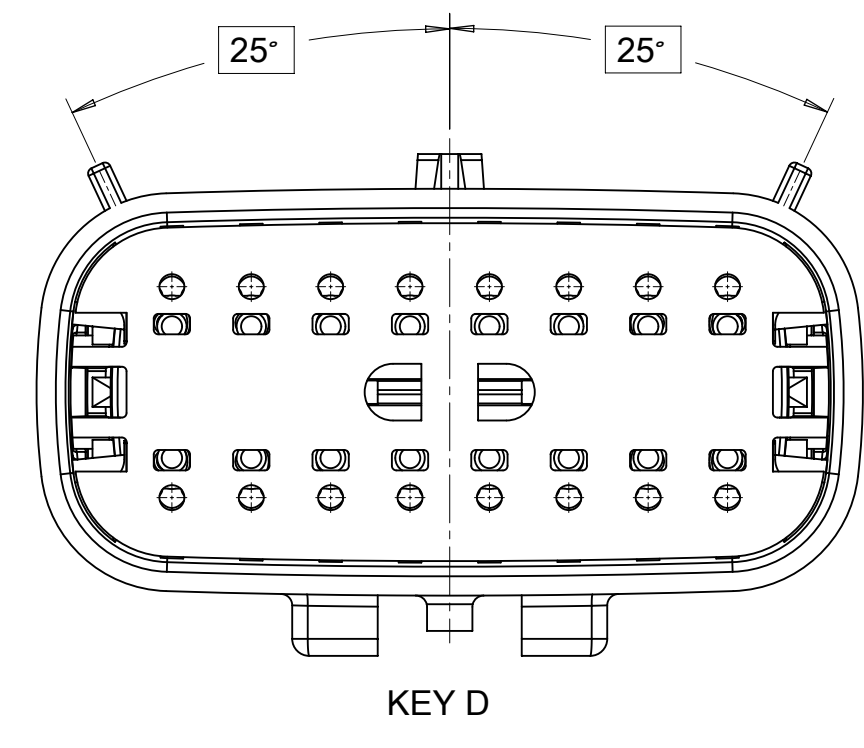
KEY A



KEY B

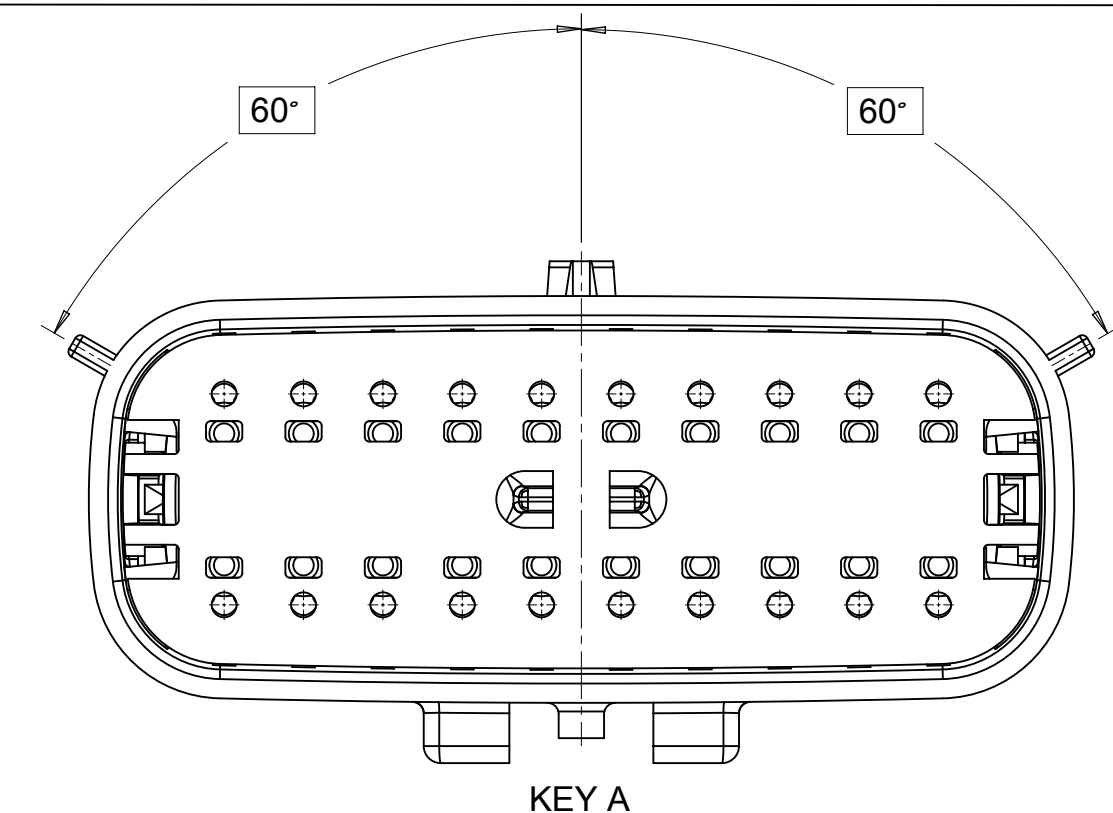


KEY C

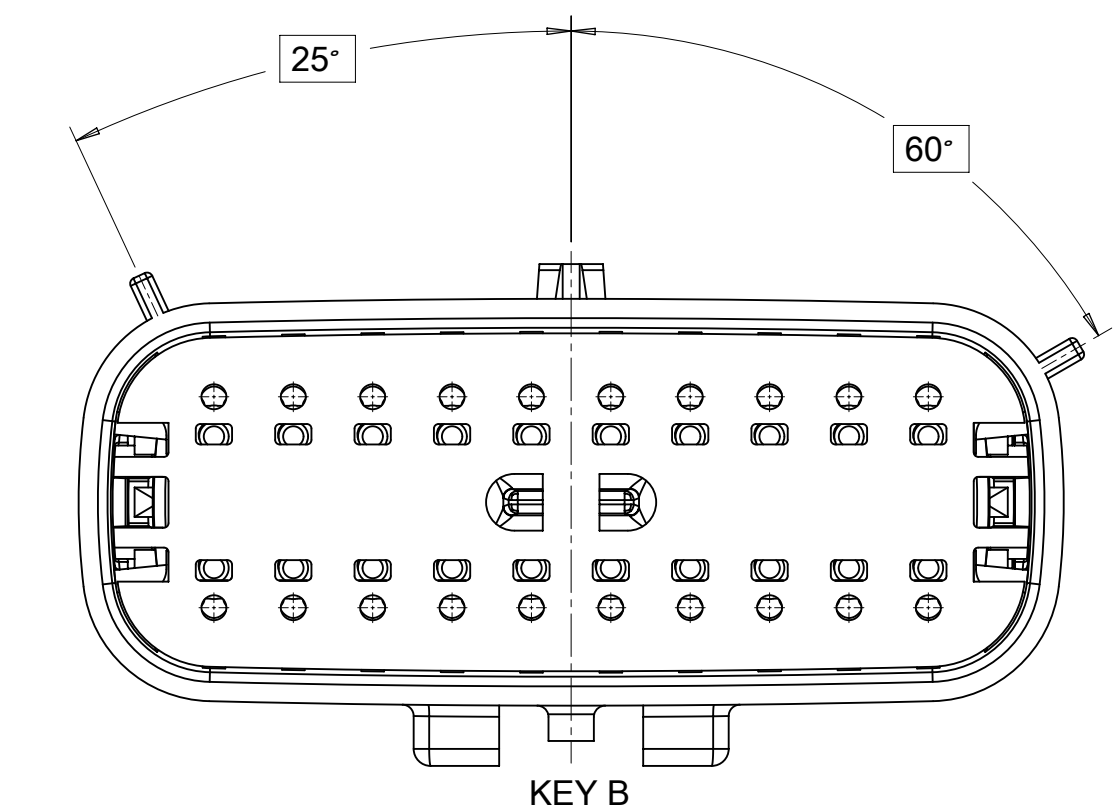


KEY D

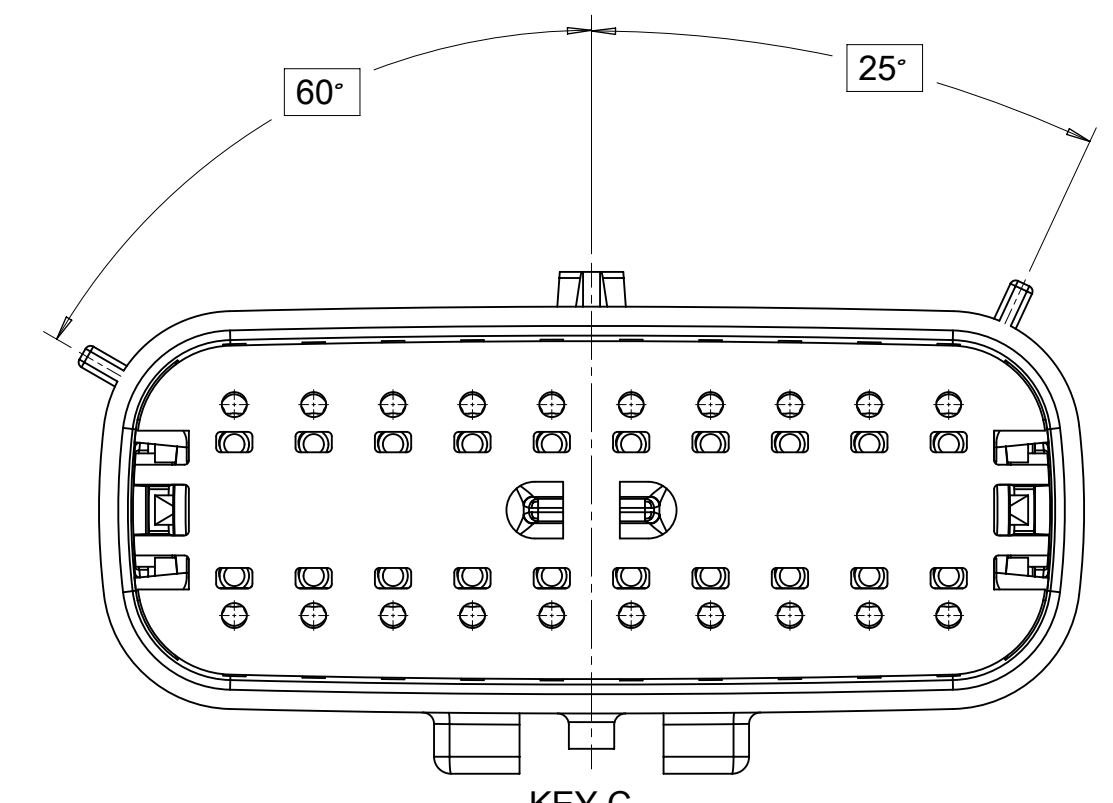
2X10



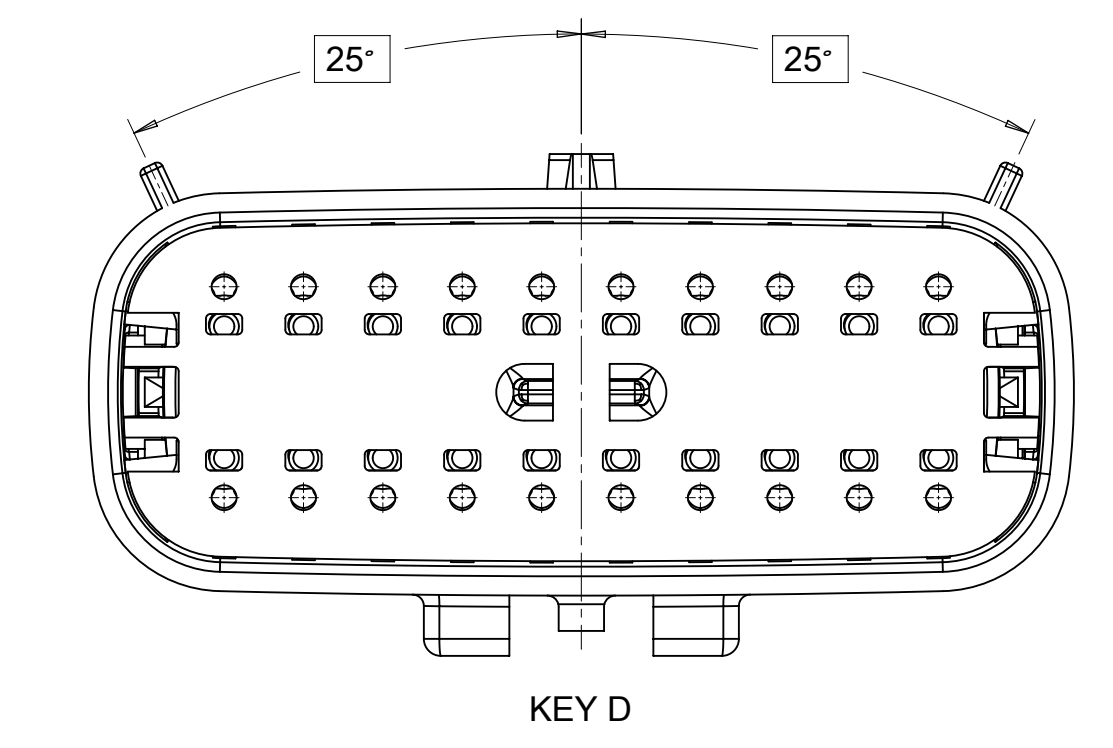
KEY A



KEY B



KEY C

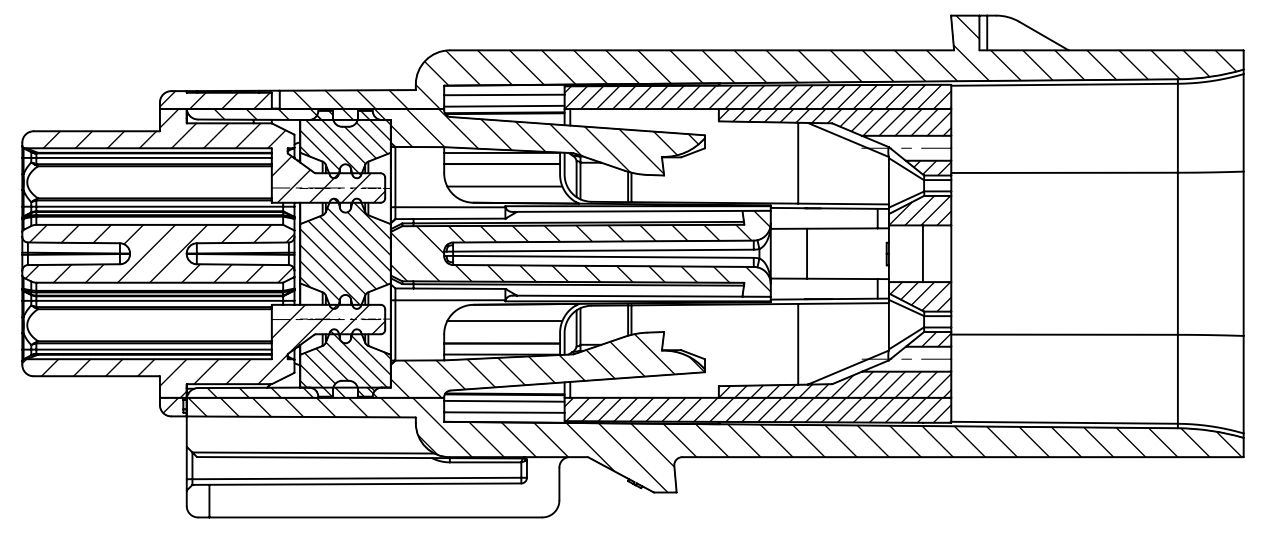
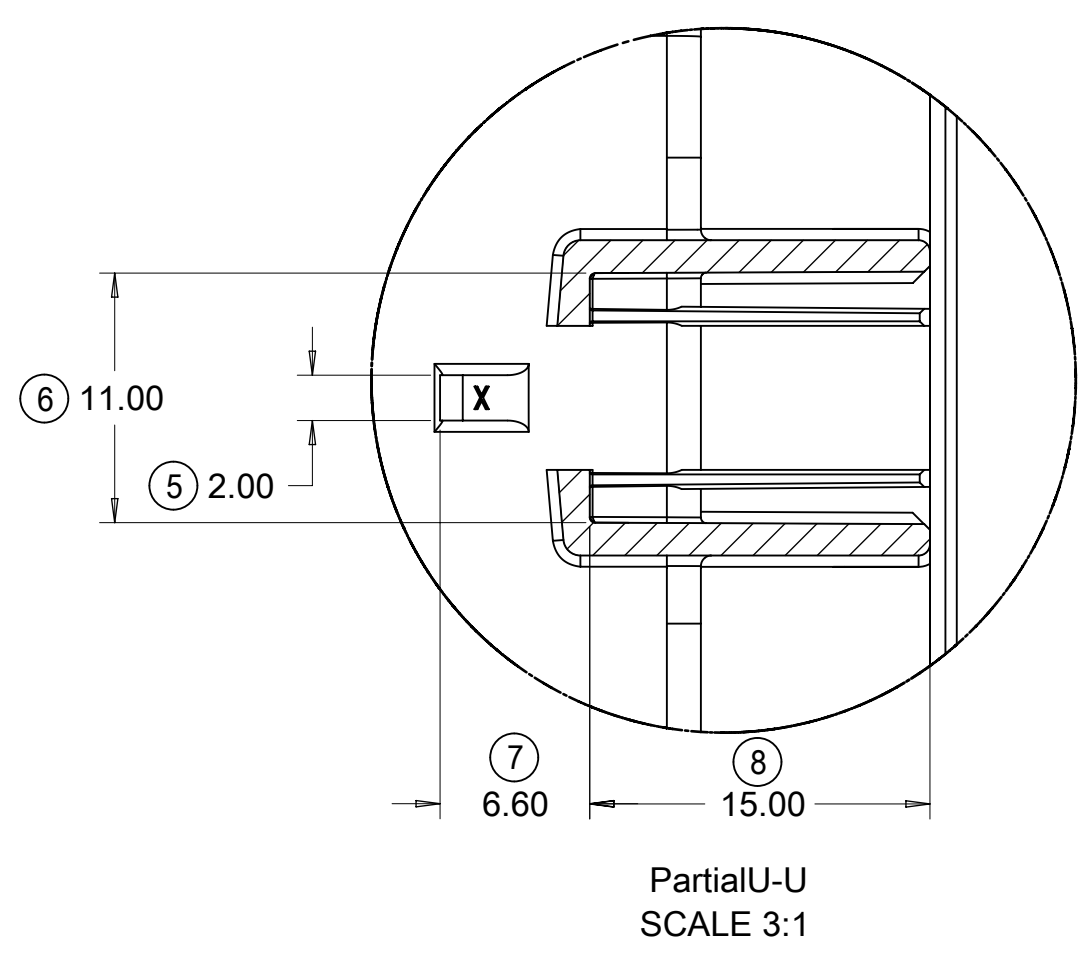
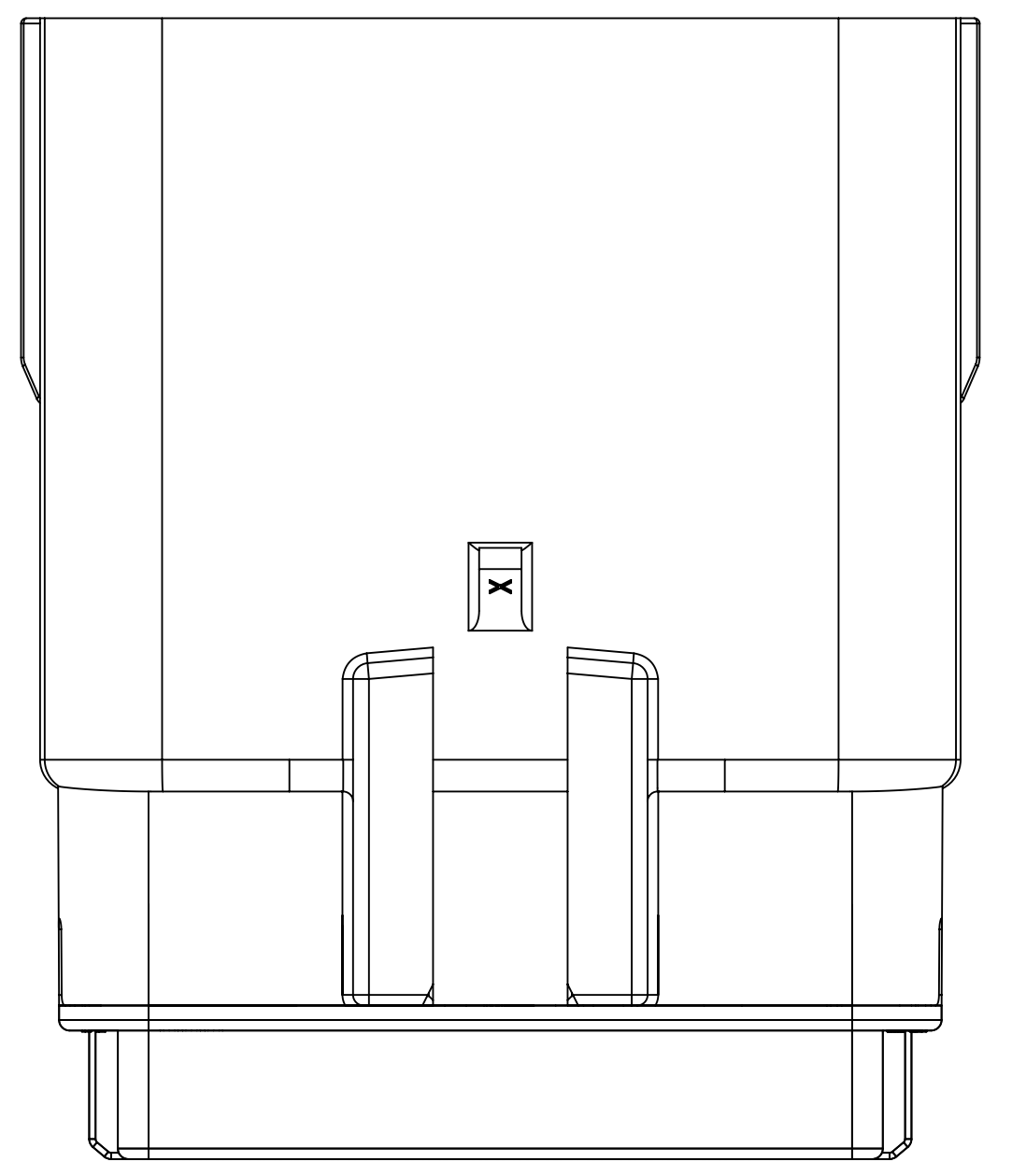
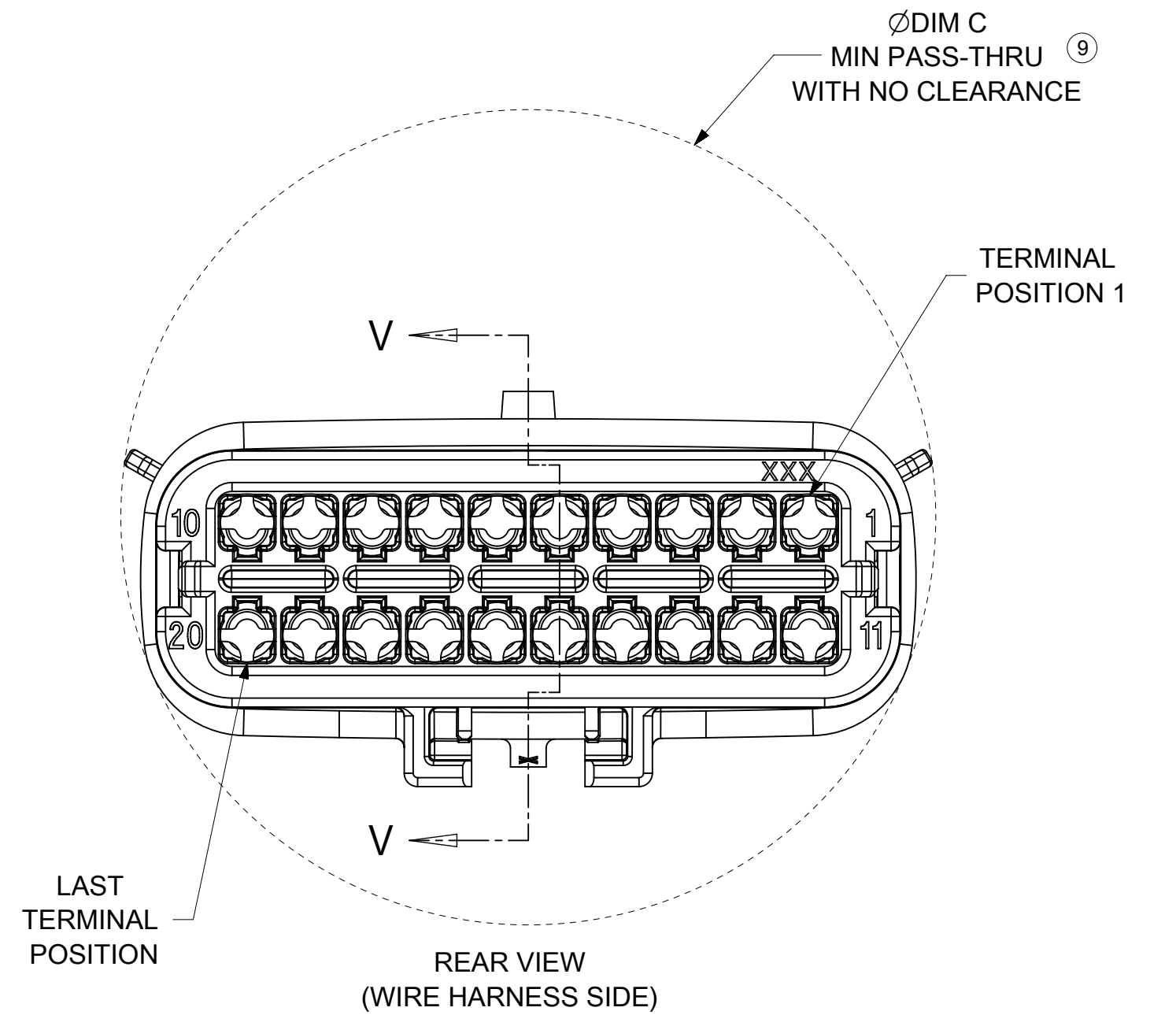
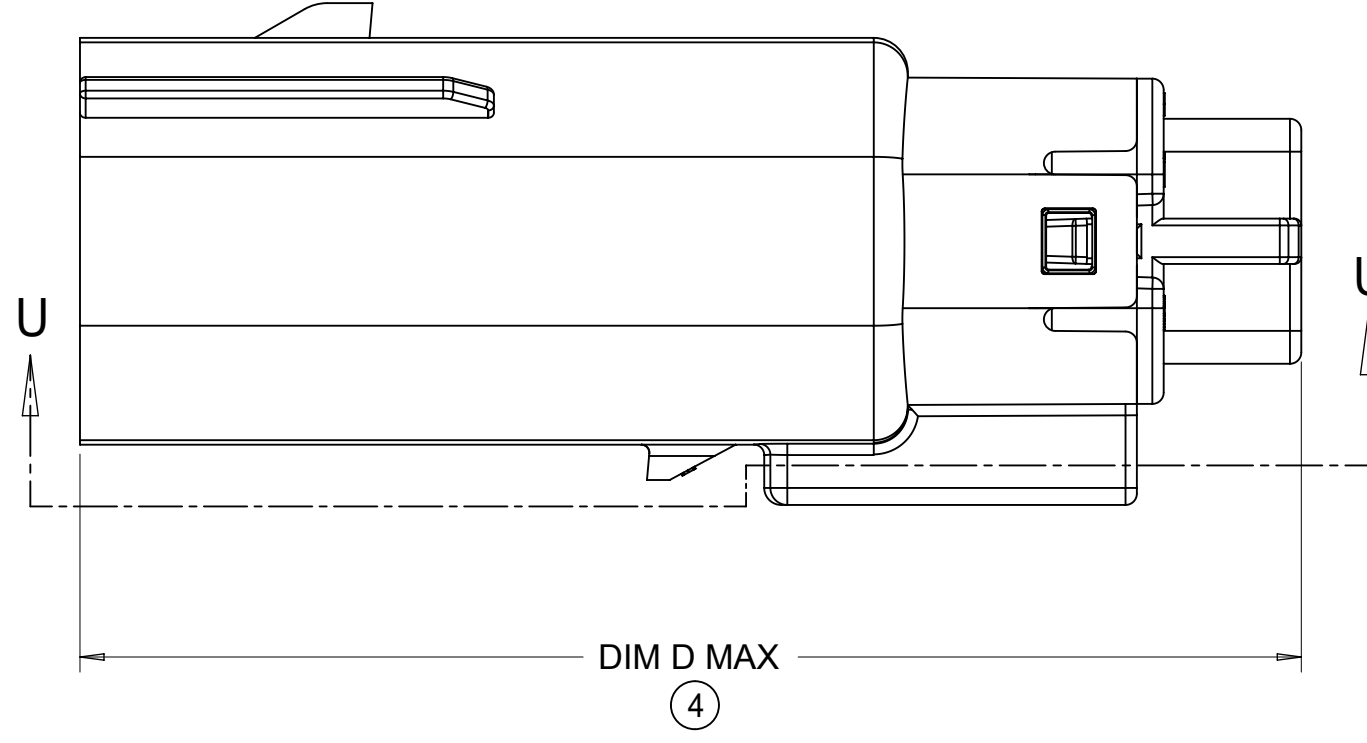
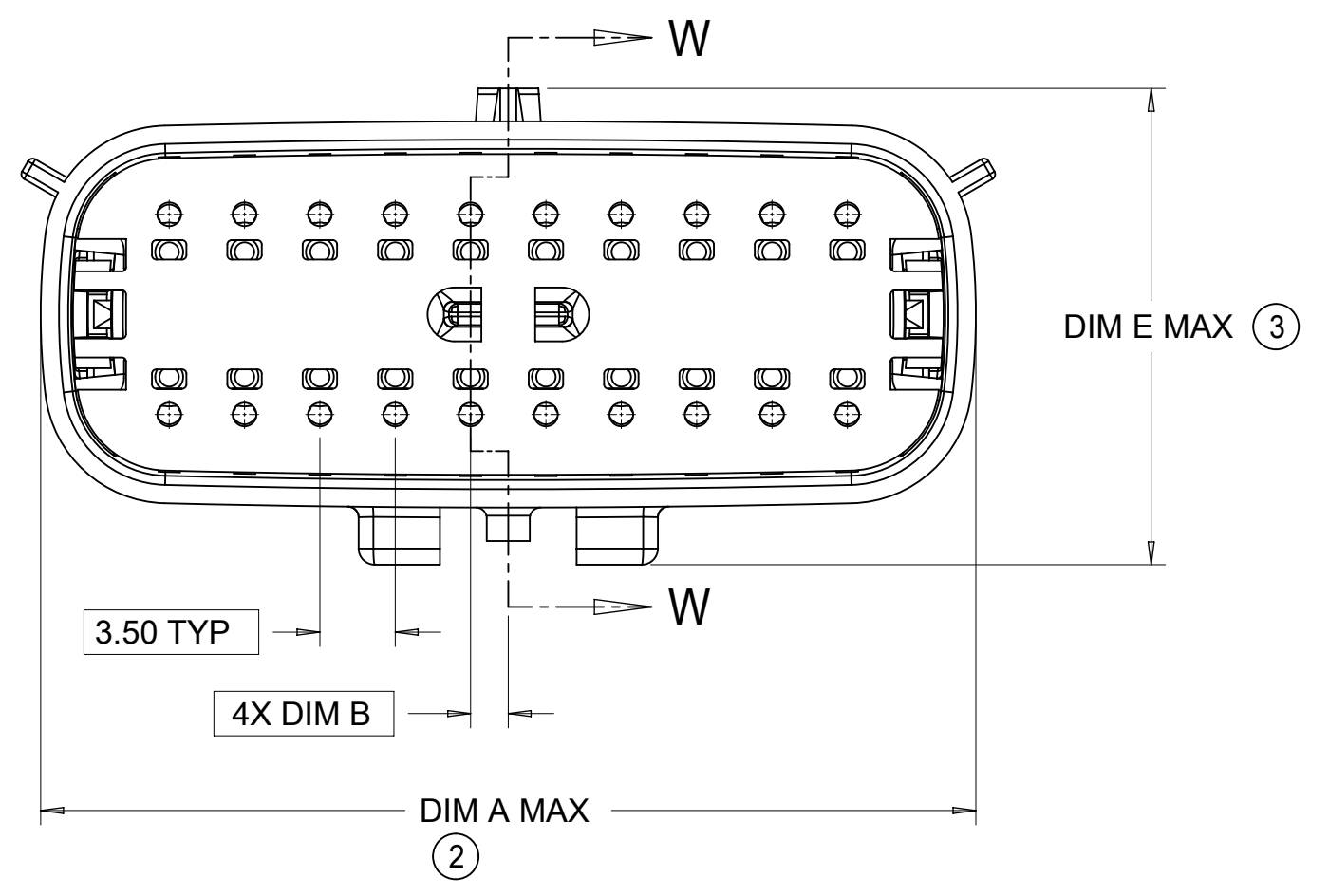
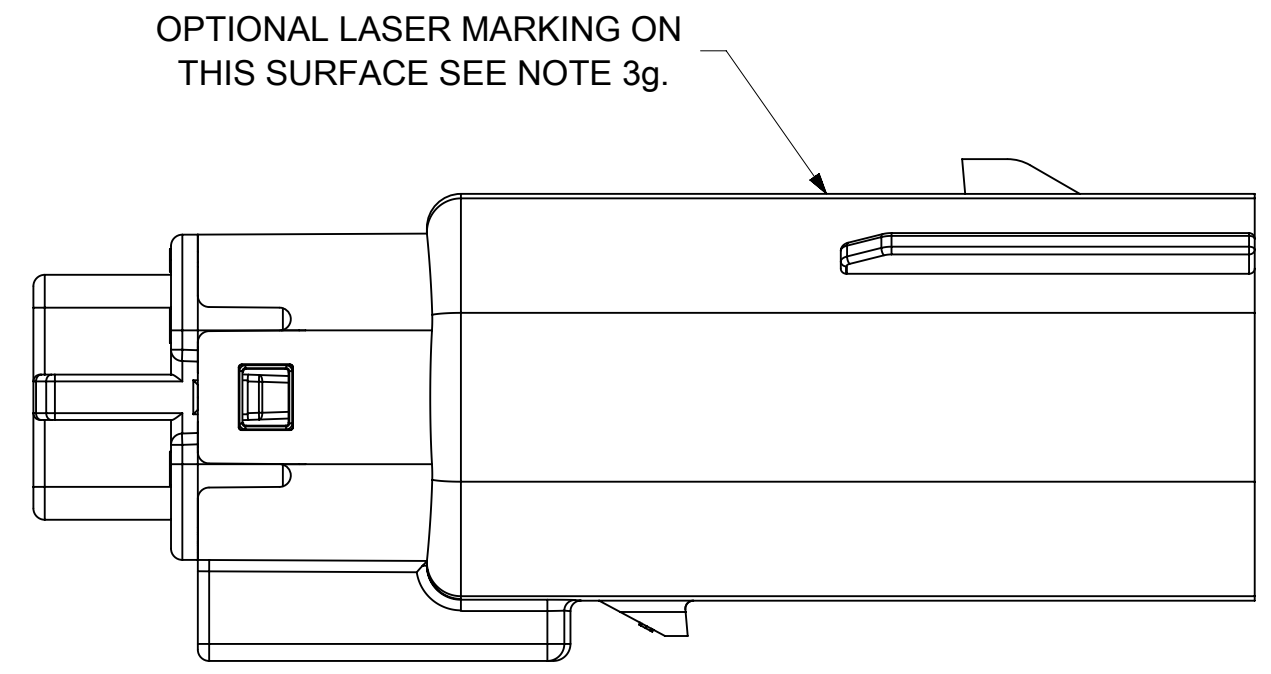


KEY D

SYMBOLS = 0 = 0 = 0 = 0 = 0 = 0 = 0 = 0 = 0 = 0	THIS DRAWING CONTAINS INFORMATION THAT IS PROPRIETARY TO MOLEX ELECTRONIC TECHNOLOGIES, LLC AND SHOULD NOT BE USED WITHOUT WRITTEN PERMISSION DIMENSION UNITS: mm SCALE: 3:1	CURRENT REV DESC: EC NO: 171650 DRWN: PMANJUNATHAC 2018/01/03 CHK'D: MVANSLAMBROU 2018/02/16 APPR: MVANSLAMBROU 2018/02/16	 MX150 BLADE DUAL ROW SEALED ASSEMBLY MAT SEAL
	GENERAL TOLERANCES (UNLESS SPECIFIED) ANGULAR TOL ± 1.0° 4 PLACES ± 3 PLACES ± 2 PLACES ± 0.1 1 PLACE ± 0.2 0 PLACES ± DRAFT WHERE APPLICABLE MUST REMAIN WITHIN DIMENSIONS	INITIAL REVISION: DRWN: APROFFITT 2014/04/28 APPR: VKOSHY 2014/05/14	
DOCUMENT STATUS: P1 RELEASE DATE: 2018/02/16 22:02:26	THIRD ANGLE PROJECTION 	DRAWING: A1-SIZE SERIES: 33482	MATERIAL NUMBER: GENERAL MARKET CUSTOMER: GENERAL MARKET SHEET NUMBER: 4 OF 11

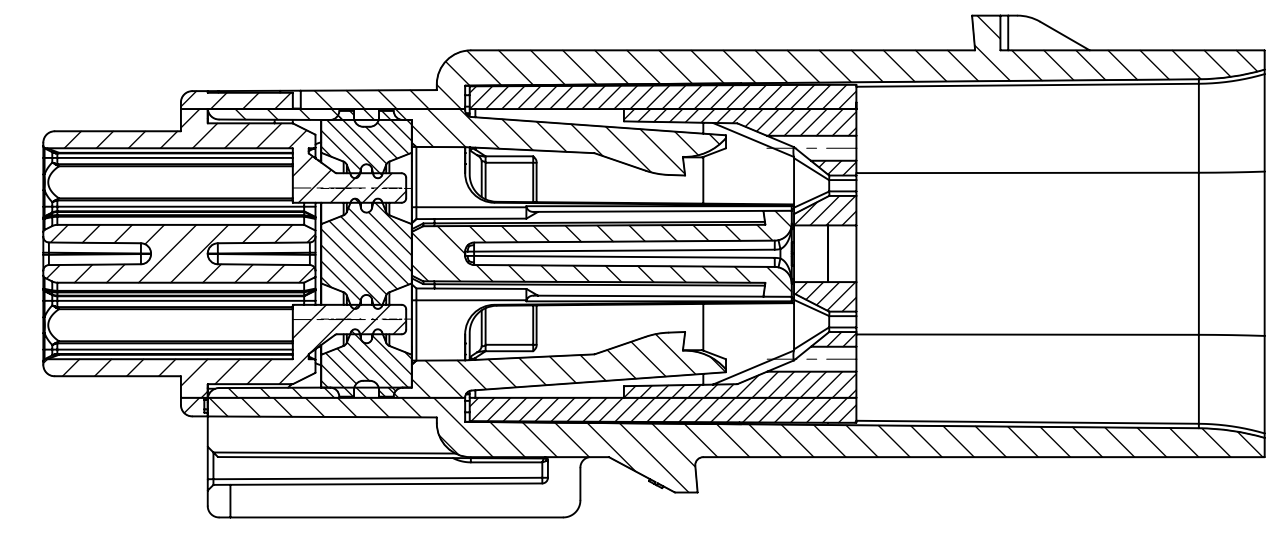
SHEET DESCRIPTION
BLADE SEALED ASSEMBLY

DESCRIPTION	DIMENSIONS				
	A	B	C	D	E
2X2	15.54	1.75	24.40	54.45	22.23
2X3 STANDARD	19.04	3.50	26.21	54.45	22.23
2X3 LENGTHENED	19.04	3.50	26.21	56.45	22.23
2X4	22.54	1.75	27.21	54.45	22.23
2X6	29.54	1.75	32.27	54.45	22.23
2X8	36.54	1.75	38.88	54.45	22.23
2X10	43.64	1.75	45.65	54.45	22.05



PRIMARY LOCK REINFORCEMENT (PLR) SHOWN IN PRE-STAGED POSITION

SECTION W-W



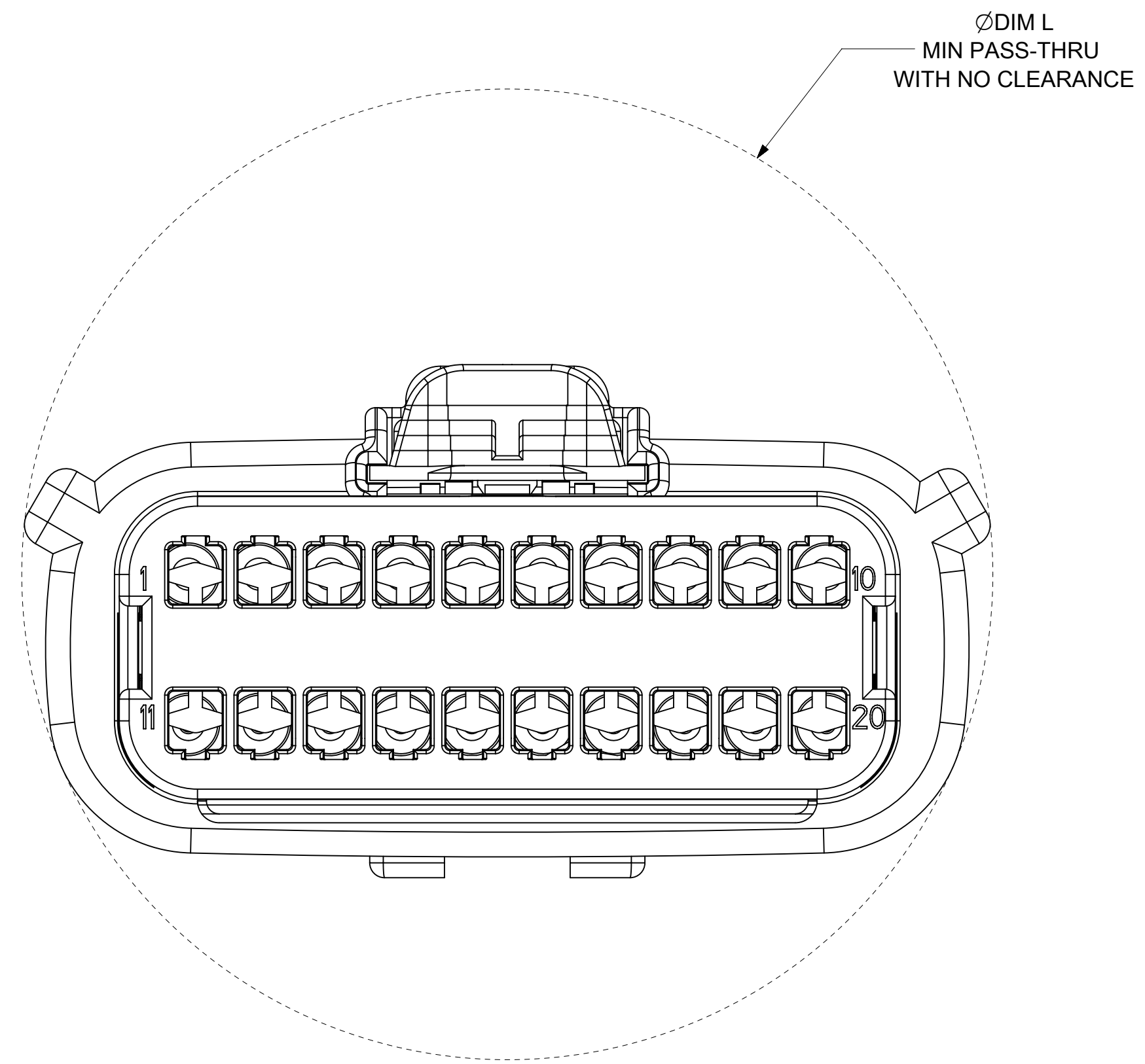
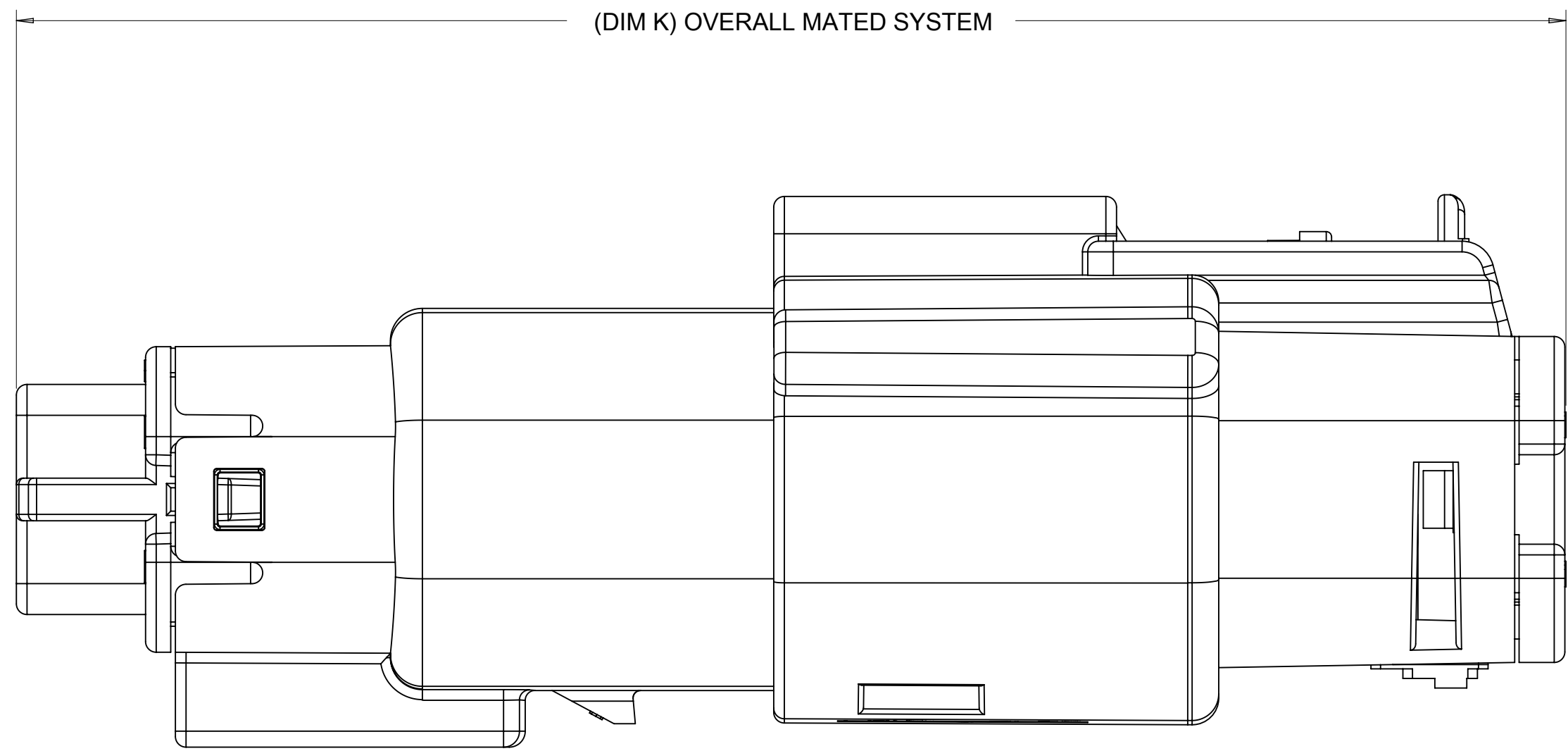
PRIMARY LOCK REINFORCEMENT (PLR) SHOWN IN FINAL-LOCK POSITION

SECTION V-V

SYMBOLS THIS DRAWING CONTAINS INFORMATION THAT IS PROPRIETARY TO MOLEX ELECTRONIC TECHNOLOGIES, LLC AND SHOULD NOT BE USED WITHOUT WRITTEN PERMISSION DIMENSION UNITS: mm SCALE: 3:1 GENERAL TOLERANCES (UNLESS SPECIFIED): ANGULAR TOL: ± 1.0° 4 PLACES: ± 3 PLACES: ± 2 PLACES: ± 0.1 1 PLACE: ± 0.2 0 PLACES: ± DRAFT WHERE APPLICABLE MUST REMAIN WITHIN DIMENSIONS	CURRENT REV DESC: EC NO: 171650 DRWN: PMANJUNATHAC 2018/01/03 CHK'D: MVANSLAMBROU 2018/02/16 APPR: MVANSLAMBROU 2018/02/16 INITIAL REVISION: DRWN: APROFFITT 2014/04/28 APPR: VKOSHY 2014/05/14		 MX150 BLADE DUAL ROW SEALED ASSEMBLY MAT SEAL	
	PRODUCT CUSTOMER DRAWING DOCUMENT NUMBER: SD-33482-0001 DOC TYPE: PSD DOC PART: 001 REVISION: E2		MATERIAL NUMBER: 33482 CUSTOMER: GENERAL MARKET SHEET NUMBER: 5 OF 11	

SHEET DESCRIPTION
SYSTEM PACKAGING

CHARTED DIMENSION				
CKT	BLADE CONFIGURATION	RECEPTACLE CONFIGURATION	DIMENSIONS	
			K	L
2X2	STANDARD	W/O CLIPSLOT	72.78	28.00
		W/ CLIPSLOT	72.78	28.50
		LENGTHENED	77.21	28.00
2X3	STANDARD	W/O CLIPSLOT	72.78	28.00
		W/ CLIPSLOT		30.50
	LENGTHENED	W/O CLIPSLOT	74.79	28.00
		W/ CLIPSLOT		30.50
2X4	STANDARD	W/O CLIPSLOT	72.78	29.50
		W/ CLIPSLOT		31.50
2X6	STANDARD	W/O CLIPSLOT	72.79	35.58
		W/ CLIPSLOT		
2X8	STANDARD	W/O CLIPSLOT	72.67	42.25
		W/ CLIPSLOT		
2X10	STANDARD	STANDARD	72.78	49.05

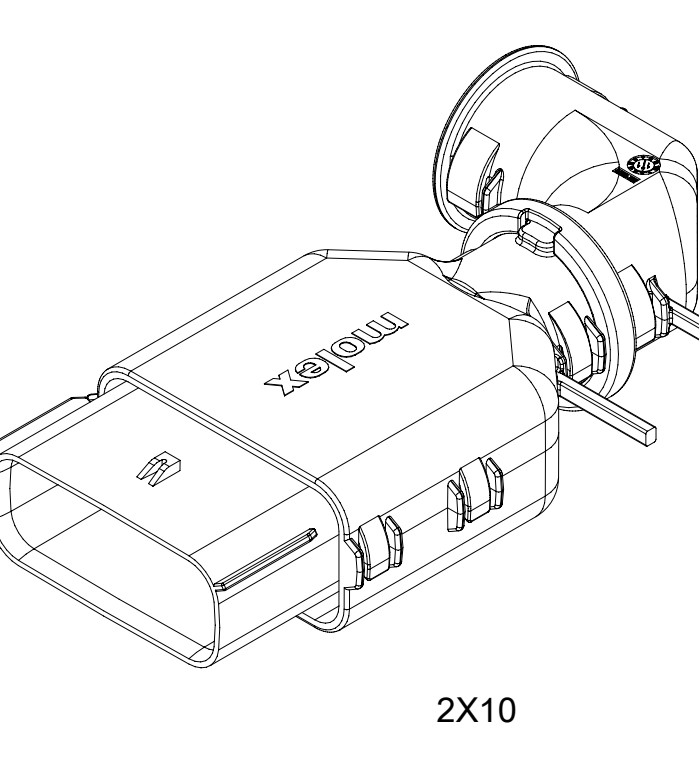
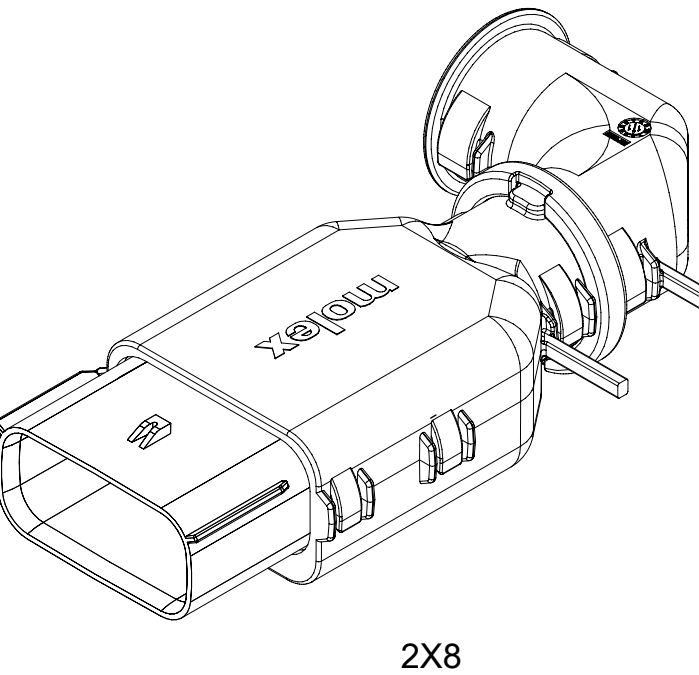
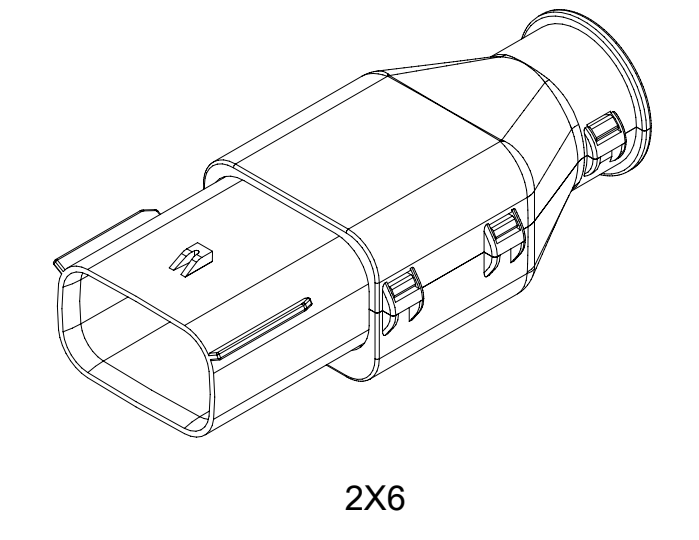
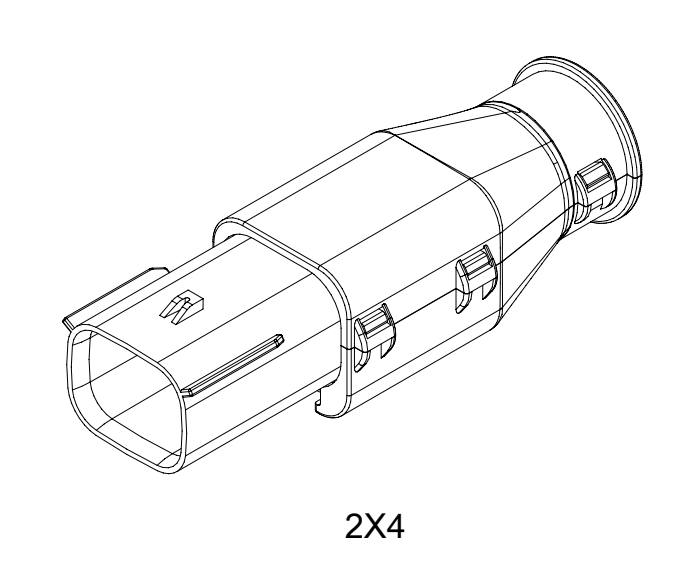
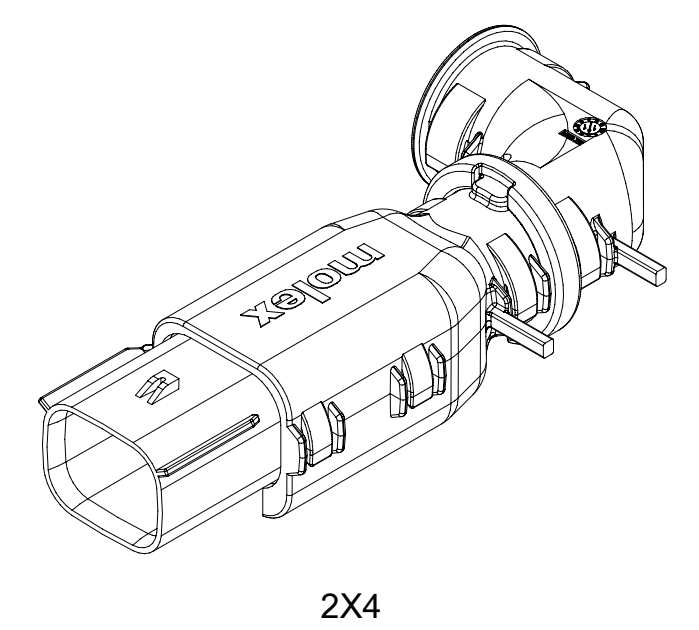
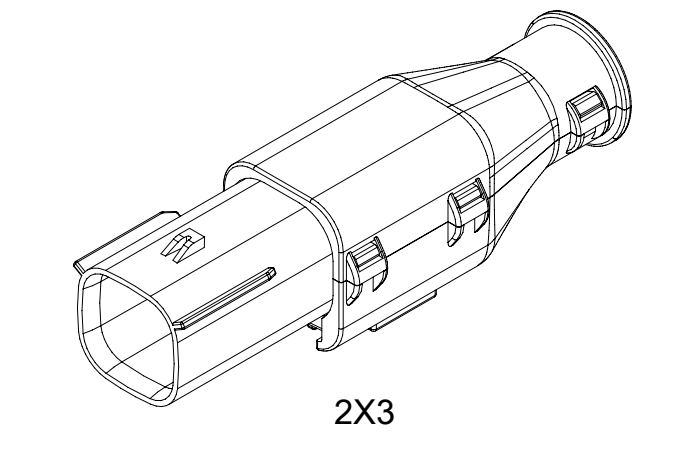


SYMBOLS ▽ = 0 ▽ = 0 ▽ = 0 ▽ = 0 ▽ = 0 ▽ = 0 ▽ = 0 ▽ = 0 ▽ = 0 ▽ = 0	THIS DRAWING CONTAINS INFORMATION THAT IS PROPRIETARY TO MOLEX ELECTRONIC TECHNOLOGIES, LLC AND SHOULD NOT BE USED WITHOUT WRITTEN PERMISSION	DIMENSION UNITS	SCALE	CURRENT REV DESC:						
	mm	4:1	EC NO: 171650 DRWN: PMANJUNATHAC 2018/01/03 CHK'D: MVANSLAMBROU 2018/02/16 APPR: MVANSLAMBROU 2018/02/16							
	GENERAL TOLERANCES (UNLESS SPECIFIED)				INITIAL REVISION: DRWN: APROFFITT 2014/04/28 APPR: VKOSHY 2014/05/14			PRODUCT CUSTOMER DRAWING		
	ANGULAR TOL ± 1.0°							DOCUMENT NUMBER		
	4 PLACES ±				SD-33482-0001			PSD 001 E2		
	3 PLACES ±									
	2 PLACES ± 0.1				MATERIAL NUMBER CUSTOMER GENERAL MARKET			SHEET NUMBER 6 OF 11		
	1 PLACE ± 0.2									
	0 PLACES ±				THIRD ANGLE PROJECTION			DRAWING		
	DRAFT WHERE APPLICABLE MUST REMAIN WITHIN DIMENSIONS				A1-SIZE			SERIES		
				33482						

SHEET DESCRIPTION
BACKSHELL NOTES

BACKSHELL NOTES: VALID UNLESS OTHERWISE SPECIFIED

1. GENERAL:
a. APPLICATION SPECIFICATION SEE: AS-34951-001
-DESIGNED TO MATE WITH BLADE SEALED ASSEMBLY SPECIFIED IN MOLEX DRAWING SD-33482-0001.
-SYSTEM TO BE USED WITH WIRE WITHIN DIAMETER RANGE OF 1.2mm TO 2.69mm.
-COMPONENTS ARE OPTIONAL AND MUST BE PURCHASED SEPERATELY.
-DESIGN IS OWNED BY SCHLEMMER FOR SCHLEMMER BACKSHELL.
-DESIGN IS OWNED BY MOLEX FOR MOLEX BACKSHELL.
-90° ADAPTOR DESIGN IS OWNED BY MOLEX.
-FOR ADDITIONAL INFORMATION SEE THE BACKSHELL COMPONENT DRAWING SD-34950-0001.



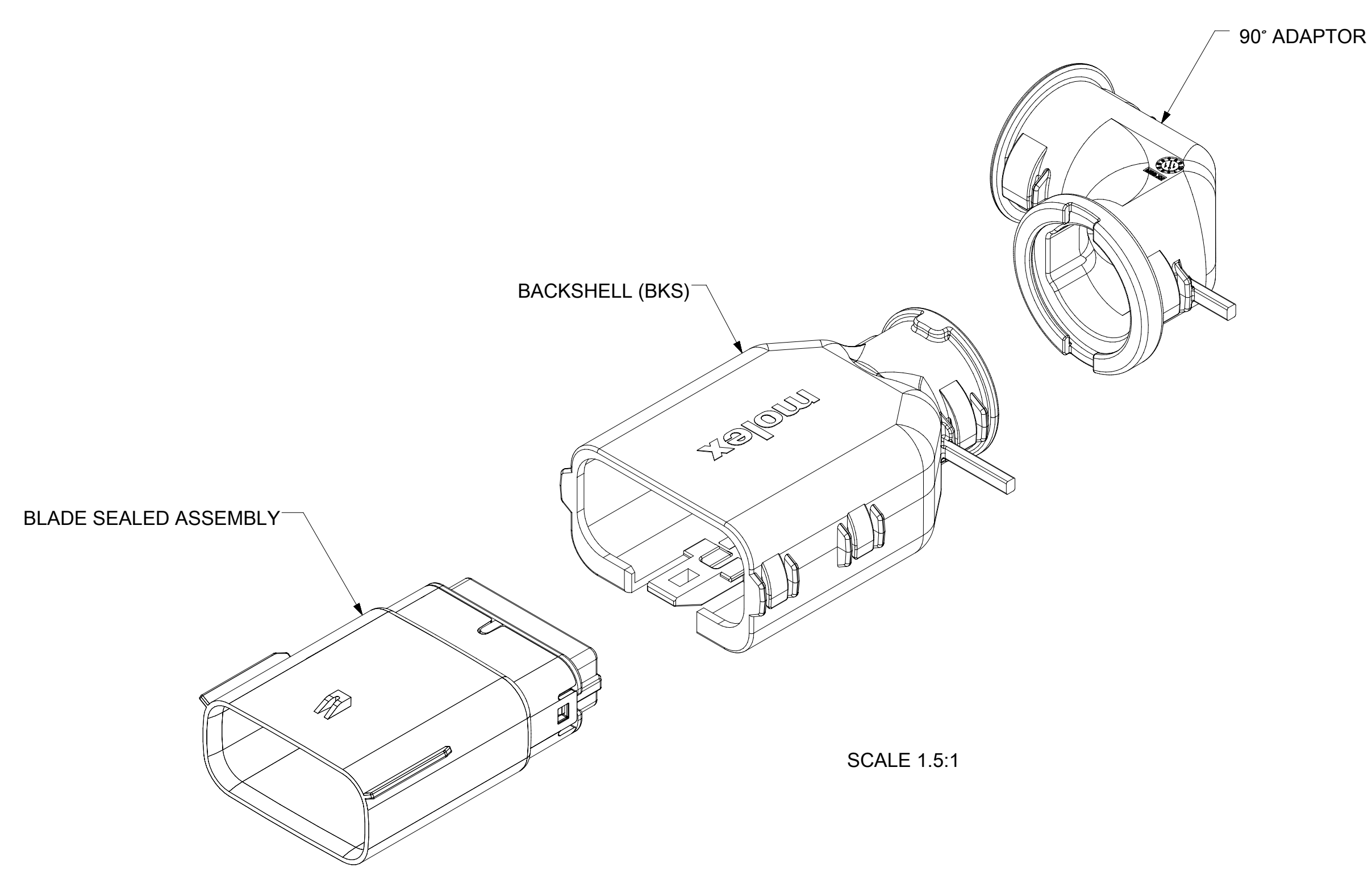
BACKSHELL CUSTOMER MODEL NUMBER LEGEND

34950-XXXX

CUSTOMER MODEL COMPONENTS
0 - SCHLEMMER BACKSHELL ONLY
1 - SCHLEMMER BACKSHELL & MX150 HOUSING KEY A ASSEMBLY
2 - SCHLEMMER BACKSHELL & MX150 HOUSING KEY B ASSEMBLY
3 - SCHLEMMER BACKSHELL & MX150 HOUSING KEY C ASSEMBLY
4 - SCHLEMMER BACKSHELL & MX150 HOUSING KEY D ASSEMBLY
5 - MOLEX BACKSHELL ONLY
6 - MOLEX BACKSHELL & MX150 HOUSING KEY A ASSEMBLY
7 - MOLEX BACKSHELL & MX150 HOUSING KEY B ASSEMBLY
8 - MOLEX BACKSHELL & MX150 HOUSING KEY C ASSEMBLY
9 - MOLEX BACKSHELL & MX150 HOUSING KEY D ASSEMBLY

BACKSHELL FEATURES
1 - WITH RIBS
2 - WITHOUT RIBS
3 - 90° ADAPTOR

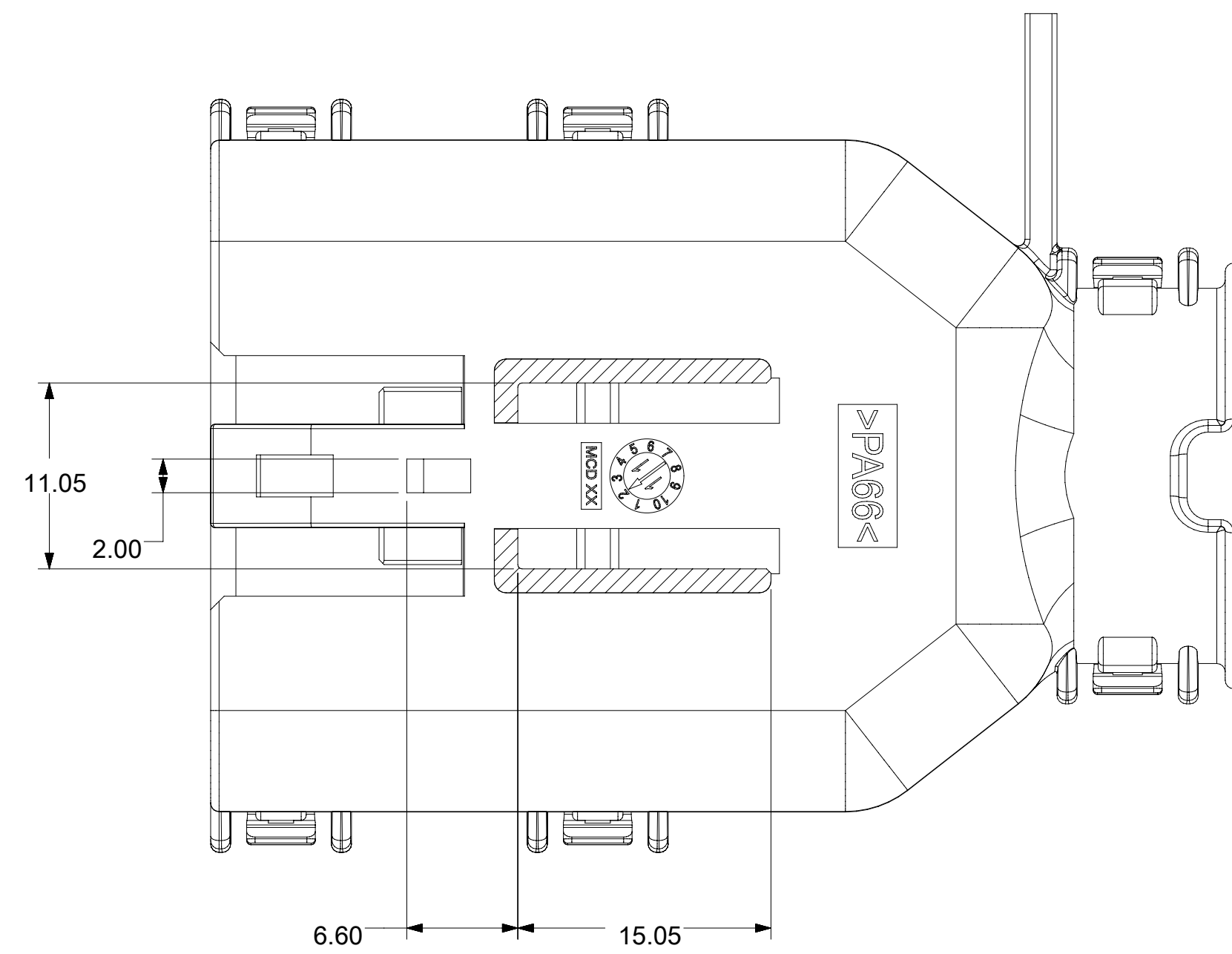
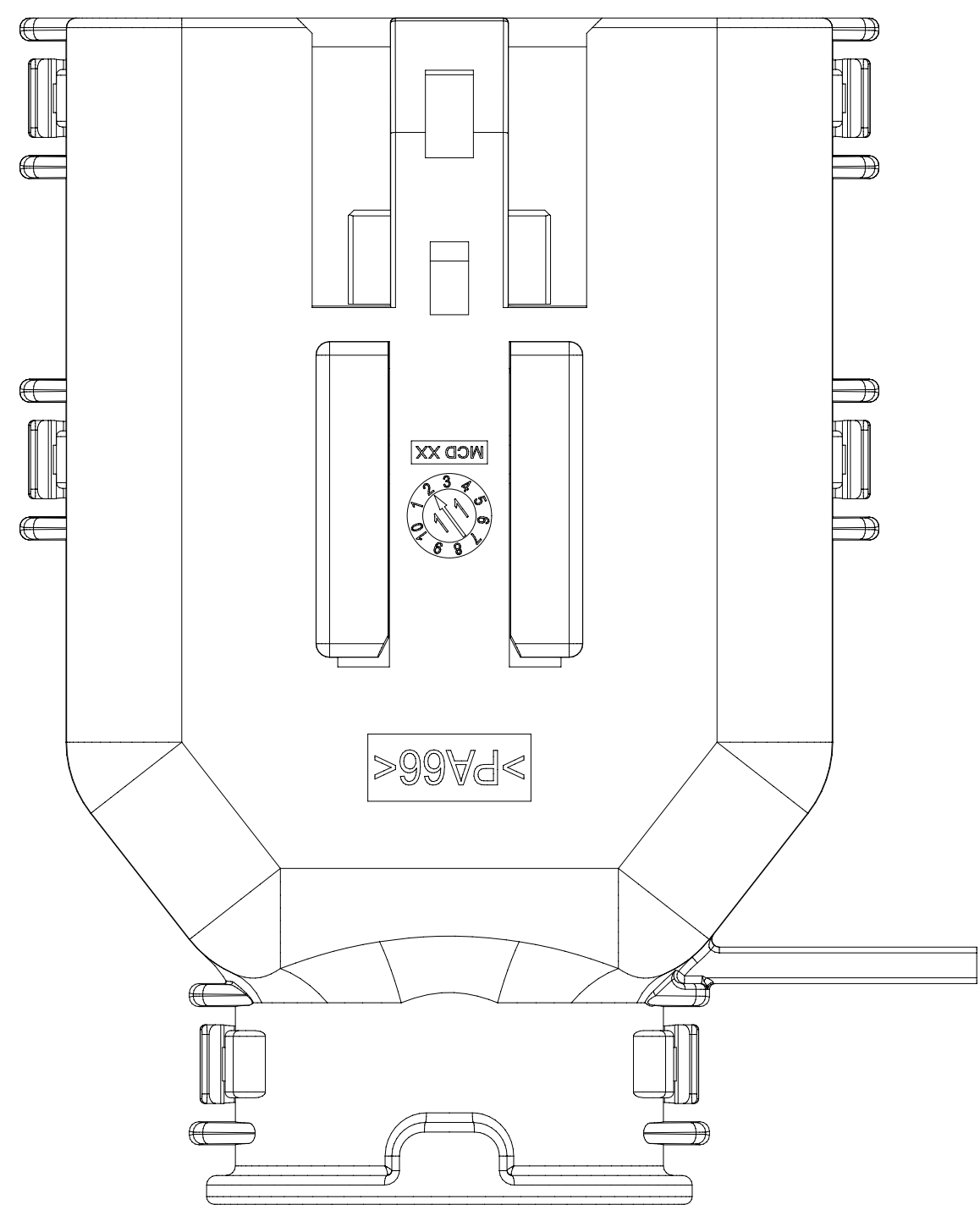
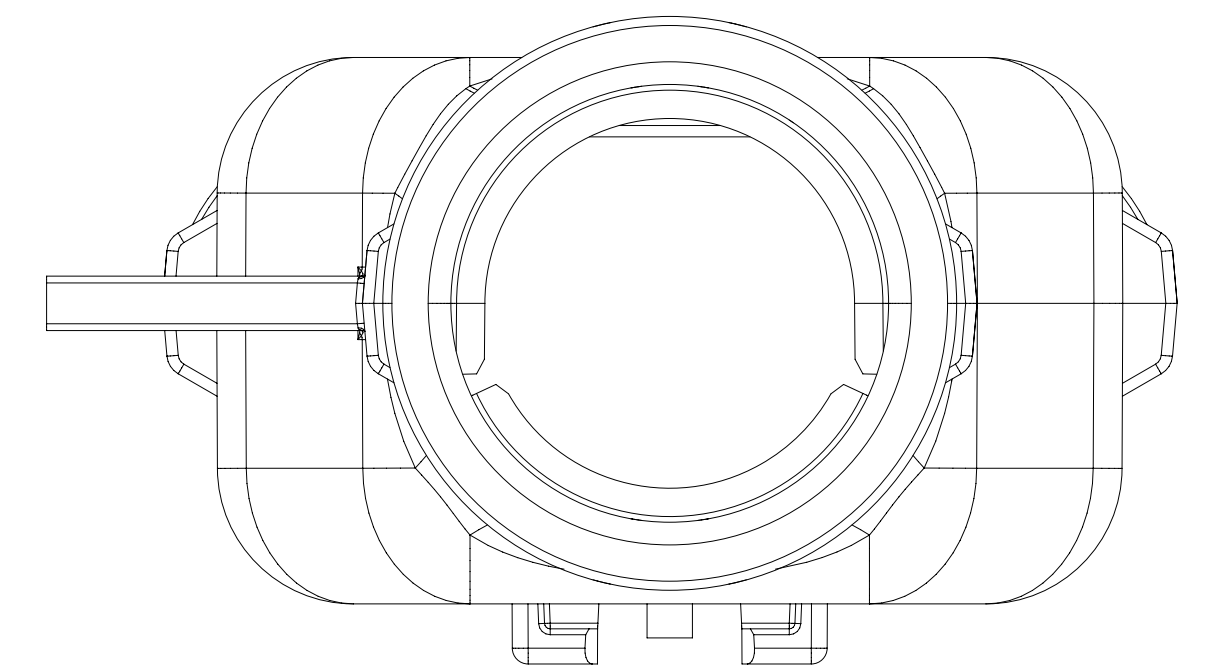
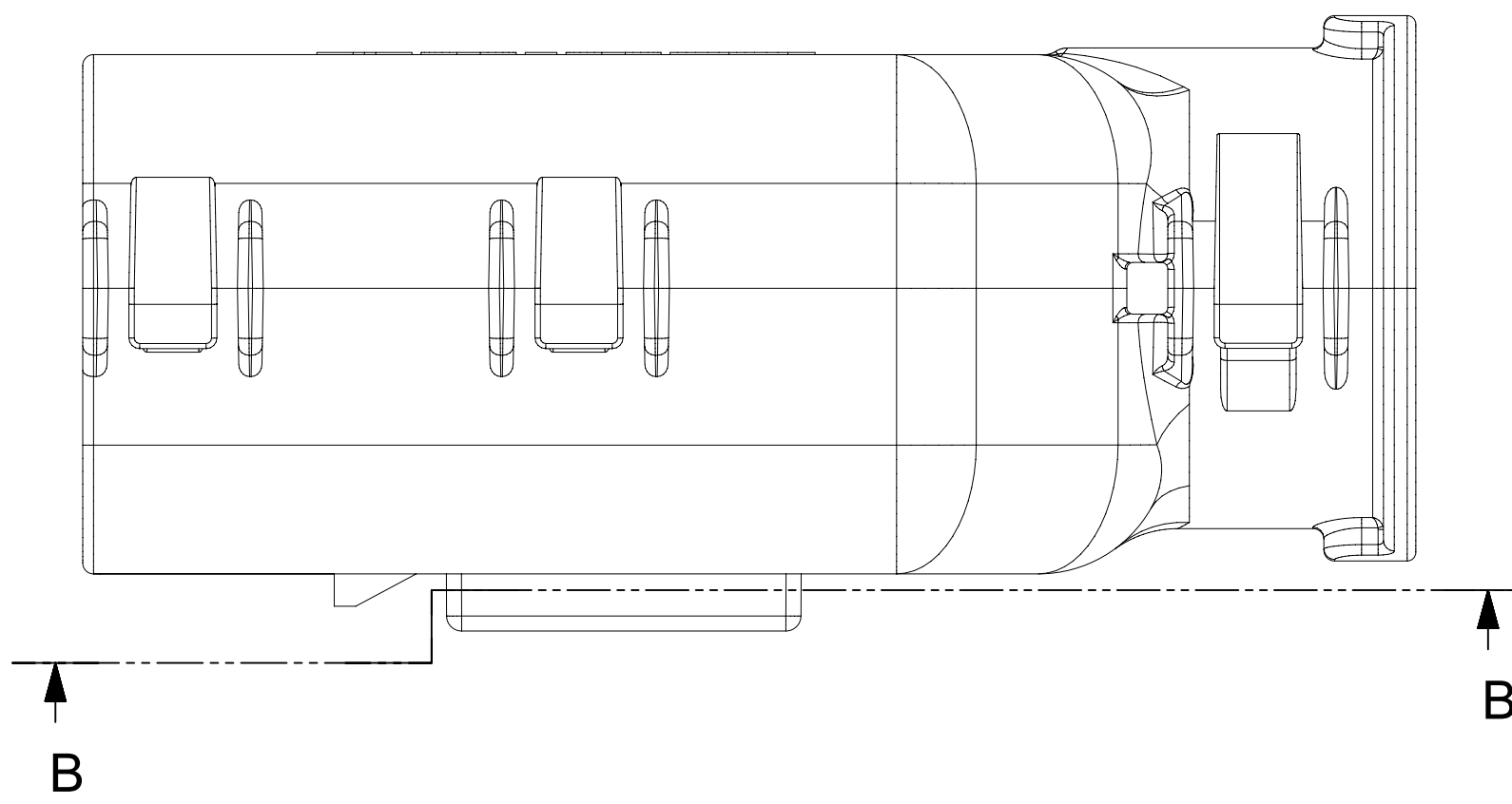
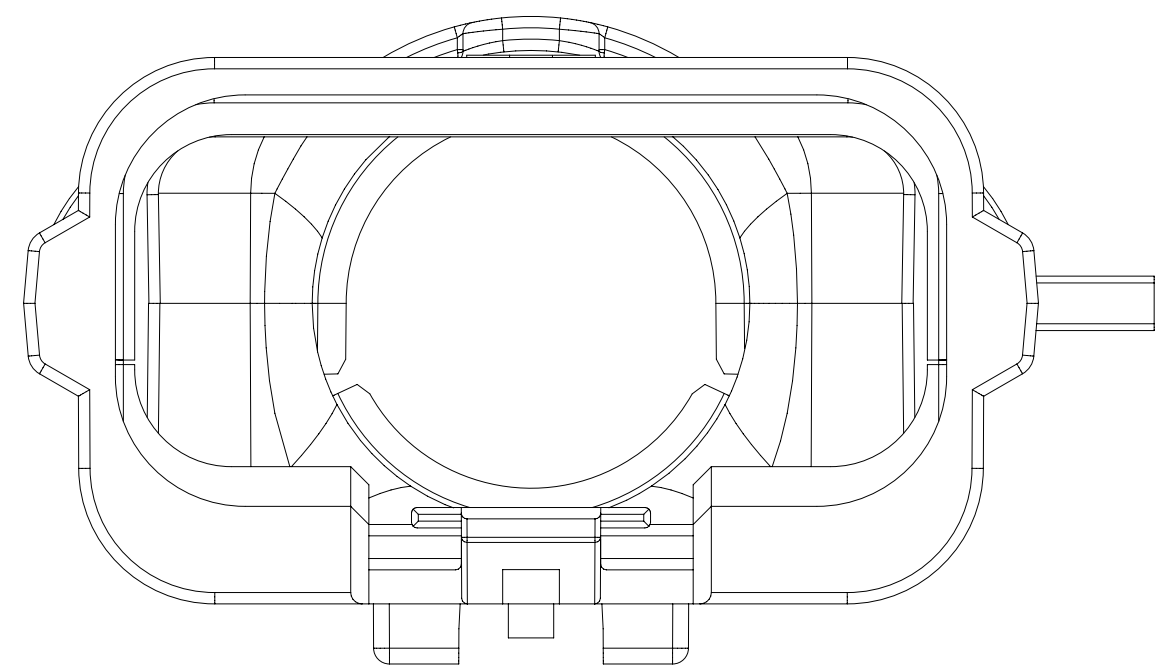
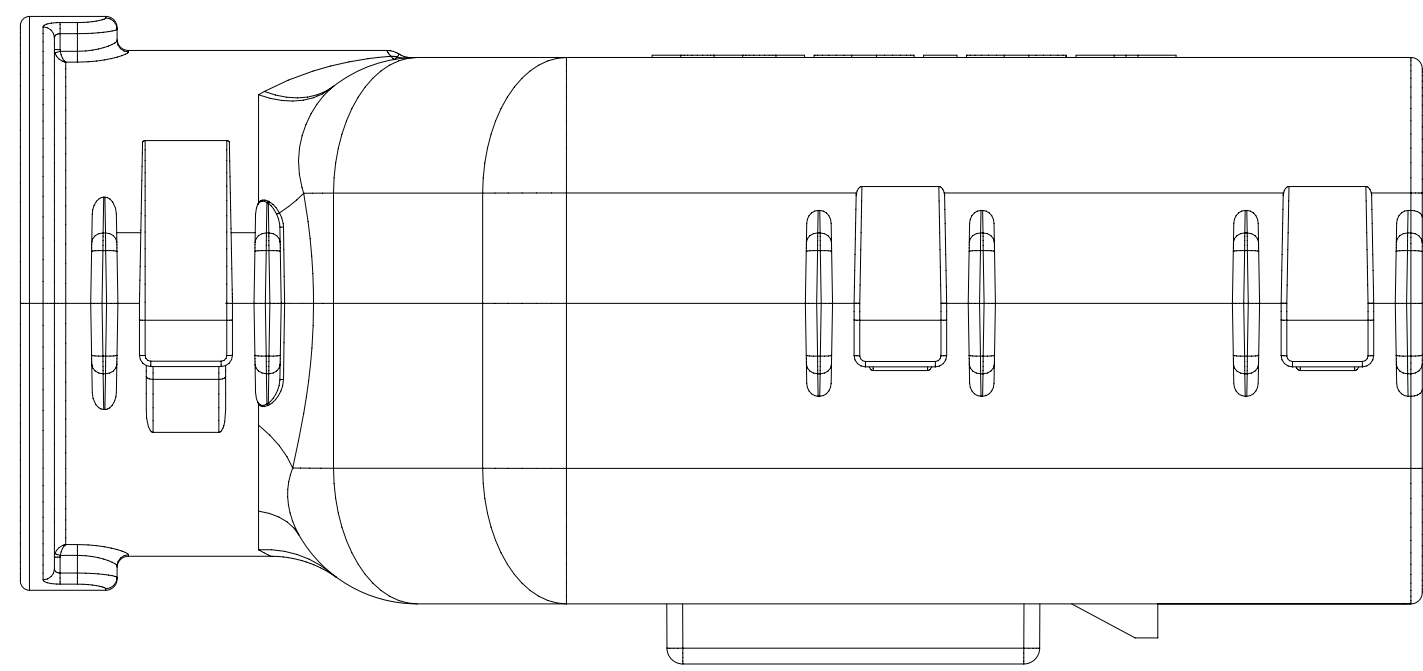
MX150 CIRCUIT SIZE 04, 06, 08, 12, 16, 20



SYMBOLS	THIS DRAWING CONTAINS INFORMATION THAT IS PROPRIETARY TO MOLEX ELECTRONIC TECHNOLOGIES, LLC AND SHOULD NOT BE USED WITHOUT WRITTEN PERMISSION		CURRENT REV DESC:					
	DIMENSION UNITS	SCALE						EC NO: 171650
▽ = 0	mm	1.5:1	DRWN: APROFFITT 2014/04/28	APPR: MVANSLAMBROU 2018/02/16	SD-33482-0001	PSD	001	E2
▽ = 0	GENERAL TOLERANCES (UNLESS SPECIFIED)		APPR: VKOSHY 2014/05/14	INITIAL REVISION:	PRODUCT CUSTOMER DRAWING			
▽ = 0	ANGULAR TOL ± 1.0°		DRWN: APROFFITT 2014/04/28	APPR: VKOSHY 2014/05/14	DOCUMENT NUMBER			
▽ = 0	4 PLACES ±		INITIAL REVISION:		REVISION			
▽ = 0	3 PLACES ±		DRWN: APROFFITT 2014/04/28		MATERIAL NUMBER			
▽ = 0	2 PLACES ± 0.1		APPR: VKOSHY 2014/05/14		CUSTOMER			
▽ = 0	1 PLACE ± 0.2		THIRD ANGLE PROJECTION		SHEET NUMBER			
▽ = 0	0 PLACES ±		DRAWING		GENERAL MARKET			
▽ = 0	DRAFT WHERE APPLICABLE MUST REMAIN WITHIN DIMENSIONS		SERIES		7 OF 11			
▽ = 0			A1-SIZE					
▽ = 0			33482					

18 17 16 15 14 13 12 11 10 9 8 7 6 5 4 3 2 1

SHEET DESCRIPTION
MOLEX BACKSHELL



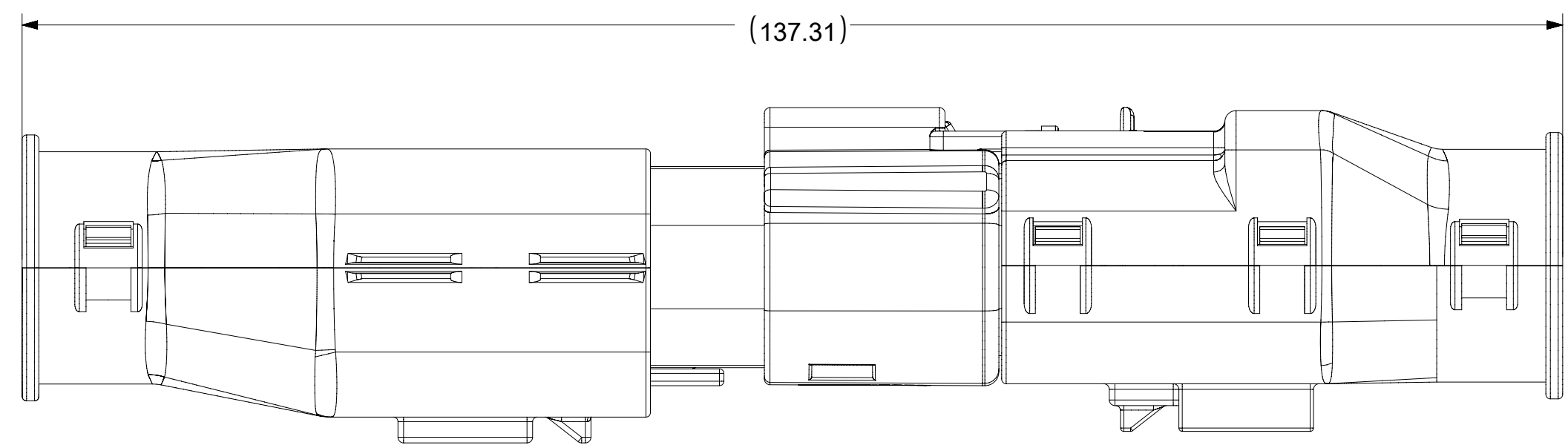
SECTION B-B

SYMBOLS		THIS DRAWING CONTAINS INFORMATION THAT IS PROPRIETARY TO MOLEX ELECTRONIC TECHNOLOGIES, LLC AND SHOULD NOT BE USED WITHOUT WRITTEN PERMISSION		CURRENT REV DESC:			DOCUMENT NUMBER			DOC TYPE DOC PART REVISION		
∇ = 0	mm	SCALE	3:1	EC NO: 171650			SD-33482-0001			PSD 001 E2		
∇ = 0	GENERAL TOLERANCES (UNLESS SPECIFIED)			DRWN: PMANJUNATHAC 2018/01/03			MATERIAL NUMBER			CUSTOMER		
∇ = 0	ANGULAR TOL ± 1.0°			CHK'D: MVANSLAMBROU 2018/02/16			SERIES			GENERAL MARKET		
∇ = 0	4 PLACES ±			APPR: MVANSLAMBROU 2018/02/16			DRAWING			SHEET NUMBER		
∇ = 0	3 PLACES ±			INITIAL REVISION:			A1-SIZE			9 OF 11		
∇ = 0	2 PLACES ± 0.1			DRWN: APROFFITT 2014/04/28			33482					
∇ = 0	1 PLACE ± 0.2			APPR: VKOSHY 2014/05/14								
∇ = 0	0 PLACES ±			DRAFT WHERE APPLICABLE MUST REMAIN WITHIN DIMENSIONS								
∇ = 0				THIRD ANGLE PROJECTION								

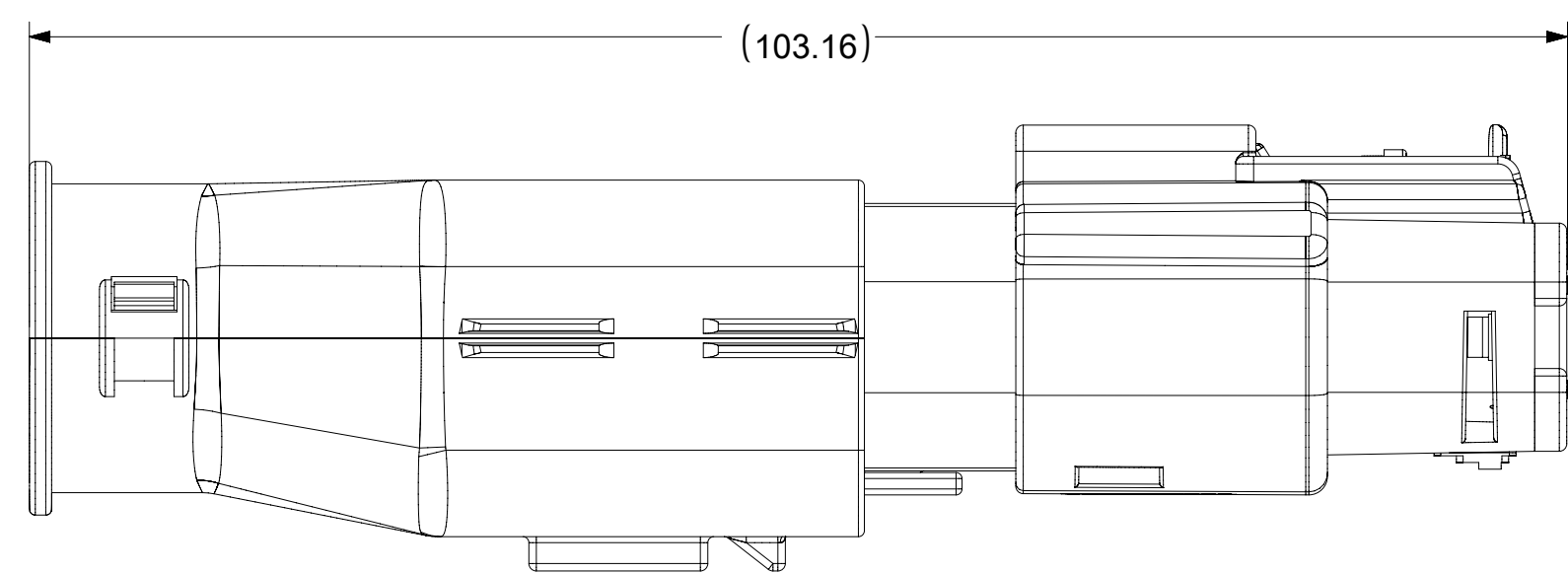
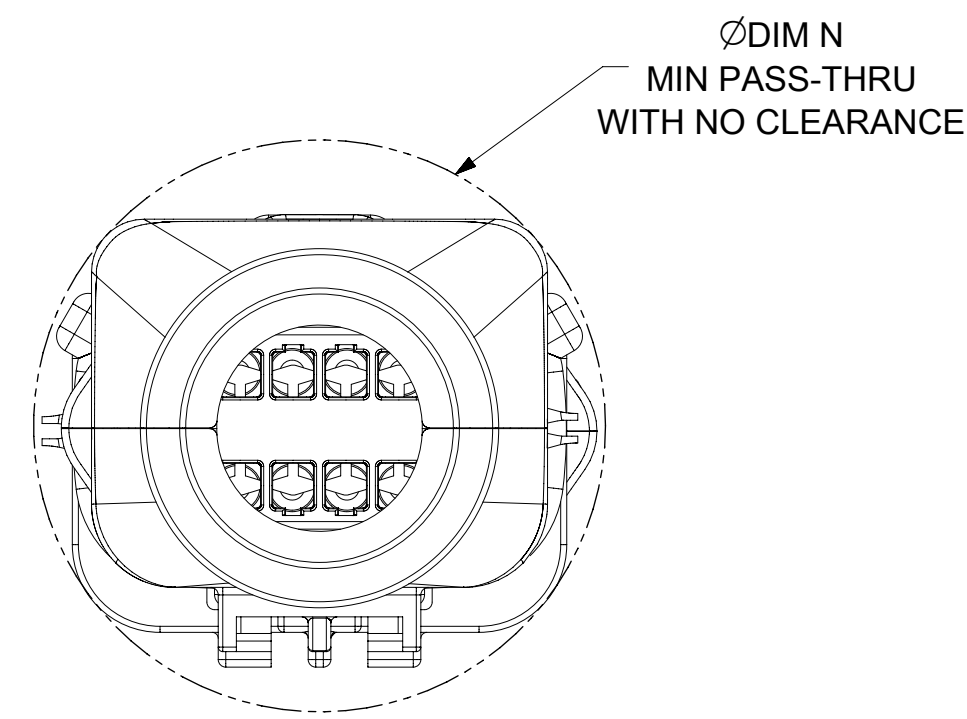
18 17 16 15 14 13 12 11 10 9 8 7 6 5 4 3 2 1

SHEET DESCRIPTION
SCHLEMMER BACKSHELL CONFIGURATIONS

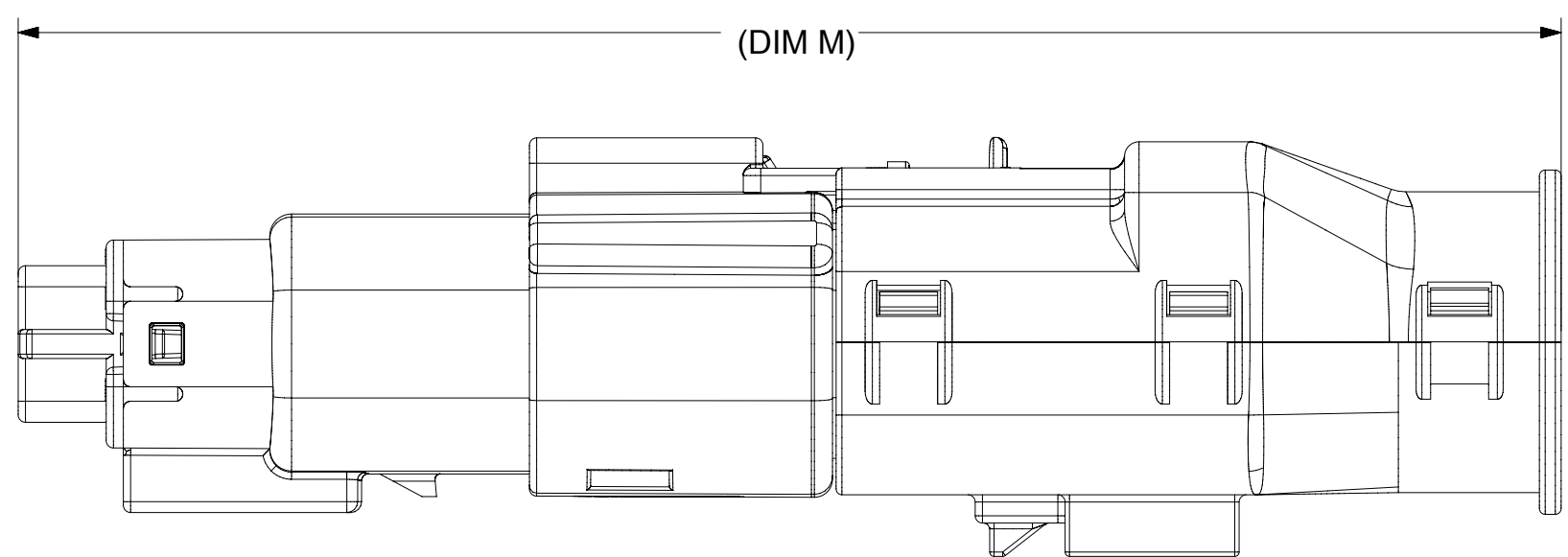
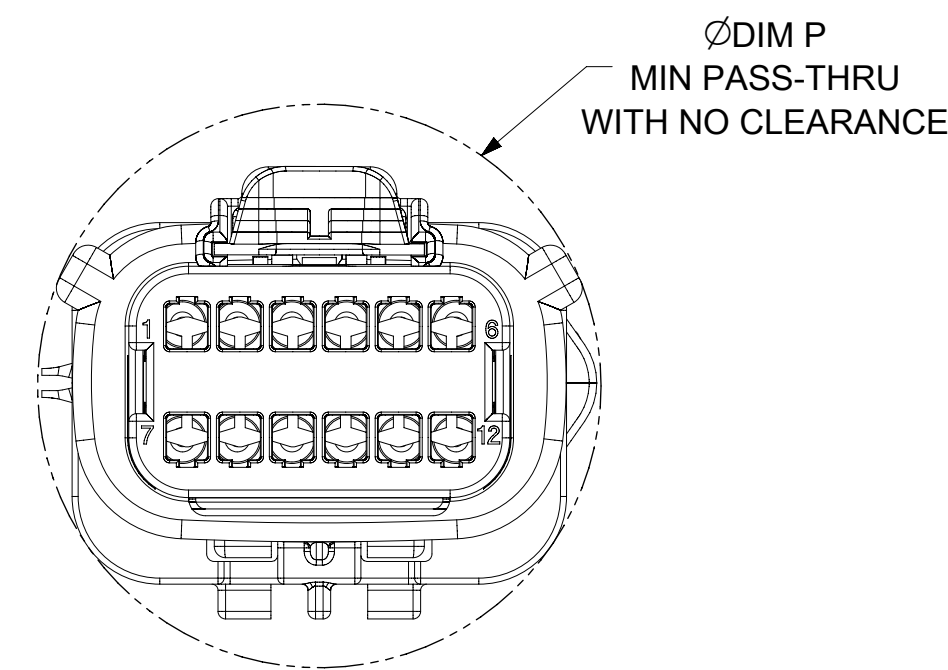
CKT	BLADE CONFIGURATION	RECEPTACLE CONFIGURATION	DIMENSIONS				
			M	N	P	R	T
2X3	STANDARD	STANDARD	106.83	32.75	31.75	29.00	29.50
	LENGTHENED		108.71				
2X4	STANDARD	STANDARD	106.83	33.50	31.90	30.70	30.70
2X6	STANDARD	STANDARD	106.83	37.84	37.27	35.83	36.83



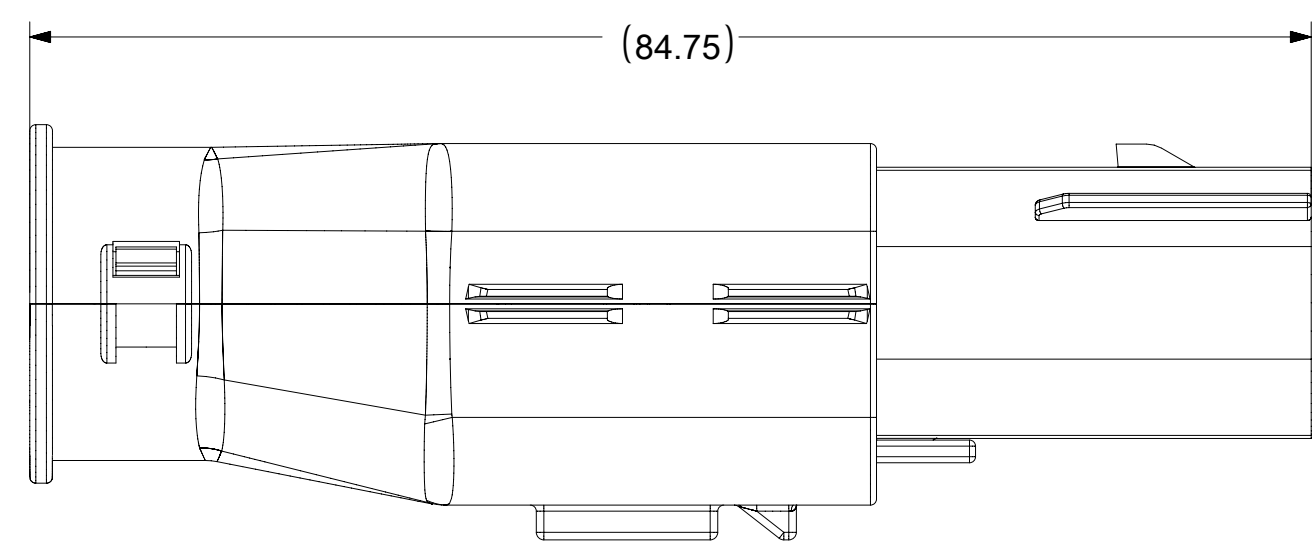
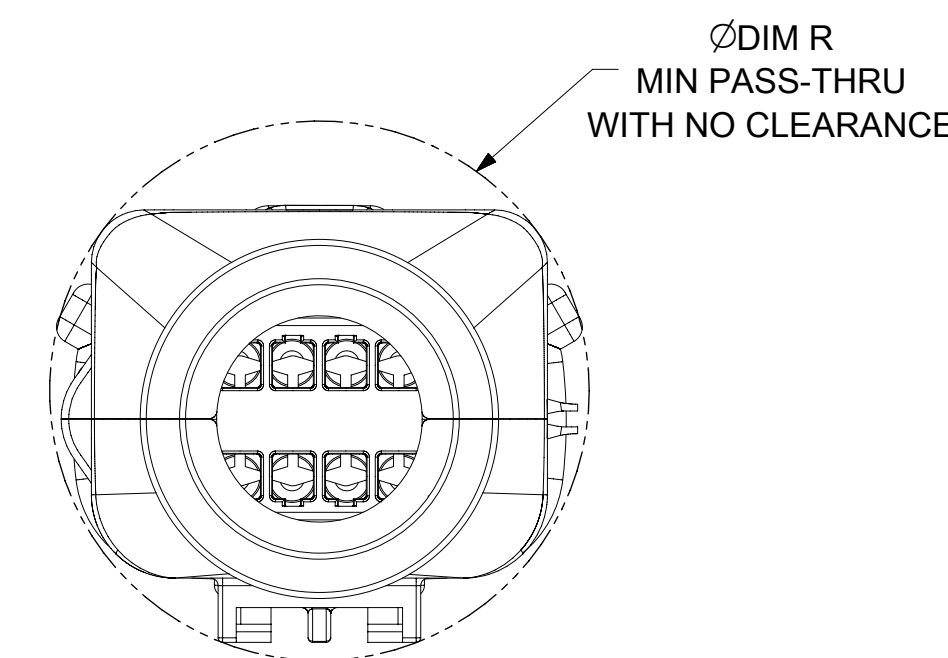
OVERALL MATED SYSTEM WITH BLADE AND RECEPTACLE BACKSHELL



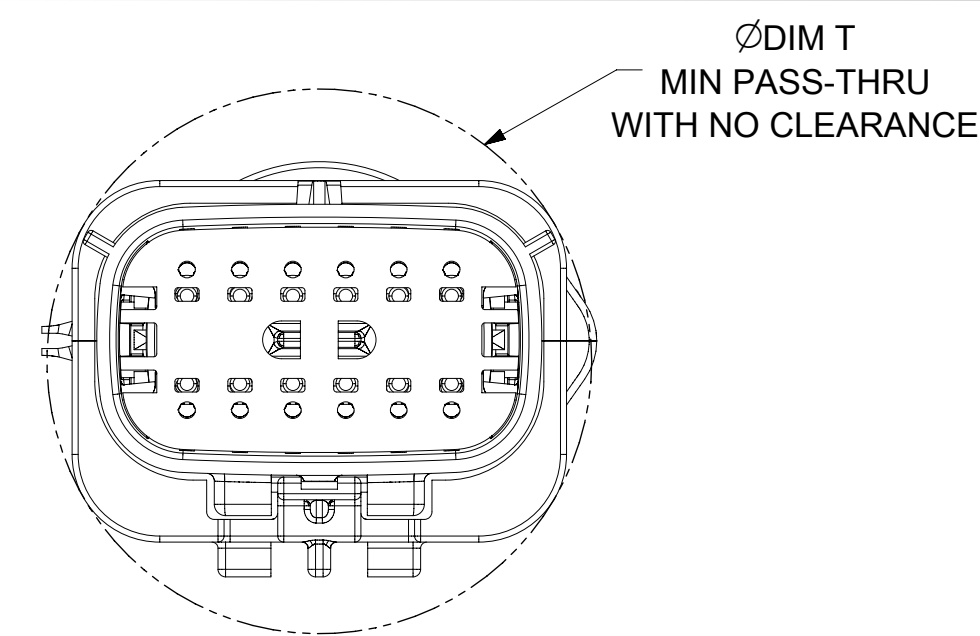
OVERALL MATED SYSTEM WITH BLADE BACKSHELL



OVERALL MATED SYSTEM WITH RECEPTACLE BACKSHELL

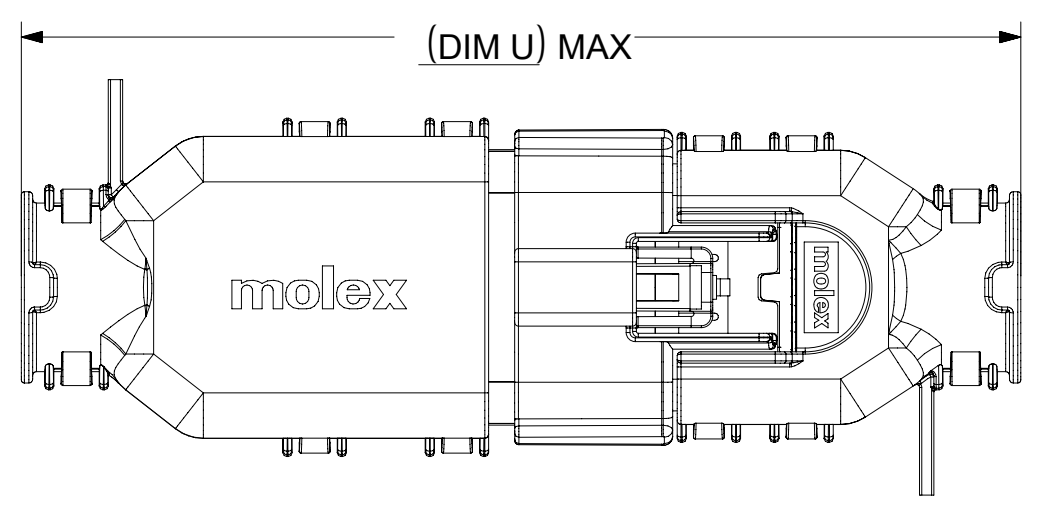


BLADE SEALED ASSEMBLY WITH BLADE BACKSHELL

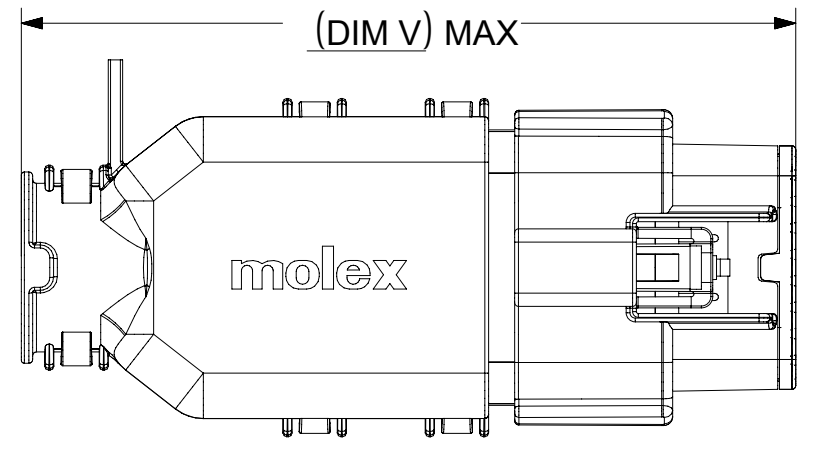
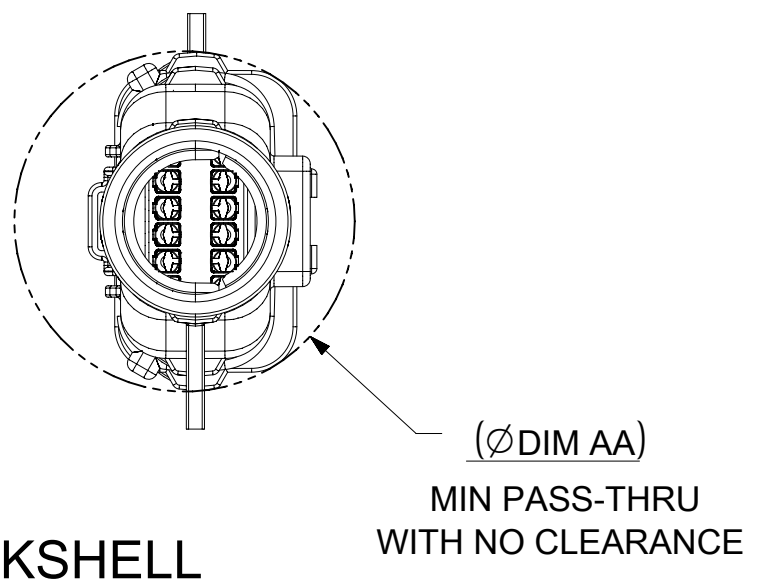


SYMBOLS THIS DRAWING CONTAINS INFORMATION THAT IS PROPRIETARY TO MOLEX ELECTRONIC TECHNOLOGIES, LLC AND SHOULD NOT BE USED WITHOUT WRITTEN PERMISSION DIMENSION UNITS: mm SCALE: 2:1 GENERAL TOLERANCES (UNLESS SPECIFIED): ANGULAR TOL: ± 1.0° 4 PLACES: ± 3 PLACES: ± 2 PLACES: ± 0.1 1 PLACE: ± 0.2 0 PLACES: ± DRAFT WHERE APPLICABLE MUST REMAIN WITHIN DIMENSIONS	CURRENT REV DESC:						
	EC NO: 171650 DRWN: PMANJUNATHAC 2018/01/03 CHK'D: MVANSLAMBROU 2018/02/16 APPR: MVANSLAMBROU 2018/02/16				MX150 BLADE DUAL ROW SEALED ASSEMBLY MAT SEAL		
	INITIAL REVISION: DRWN: APROFFITT 2014/04/28 APPR: VKOSHY 2014/05/14		PRODUCT CUSTOMER DRAWING DOCUMENT NUMBER: SD-33482-0001 DOC TYPE: PSD DOC PART: 001 REVISION: E2				
		THIRD ANGLE PROJECTION	DRAWING: A1-SIZE	SERIES: 33482	MATERIAL NUMBER	CUSTOMER: GENERAL MARKET	SHEET NUMBER: 10 OF 11

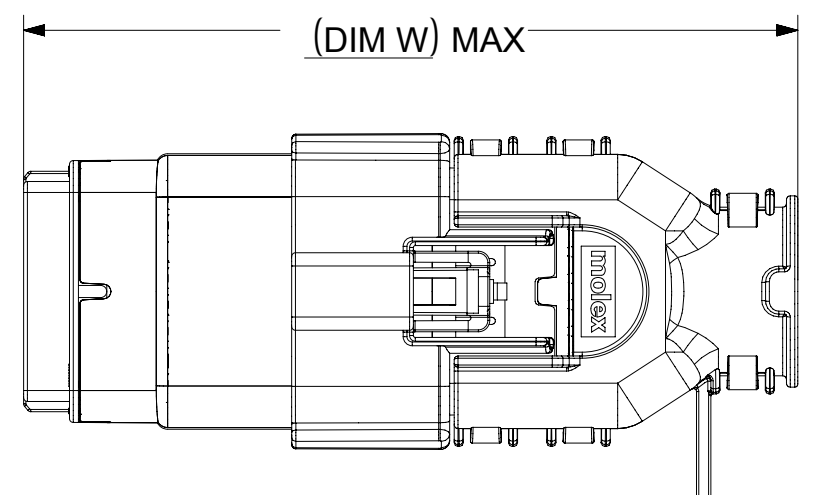
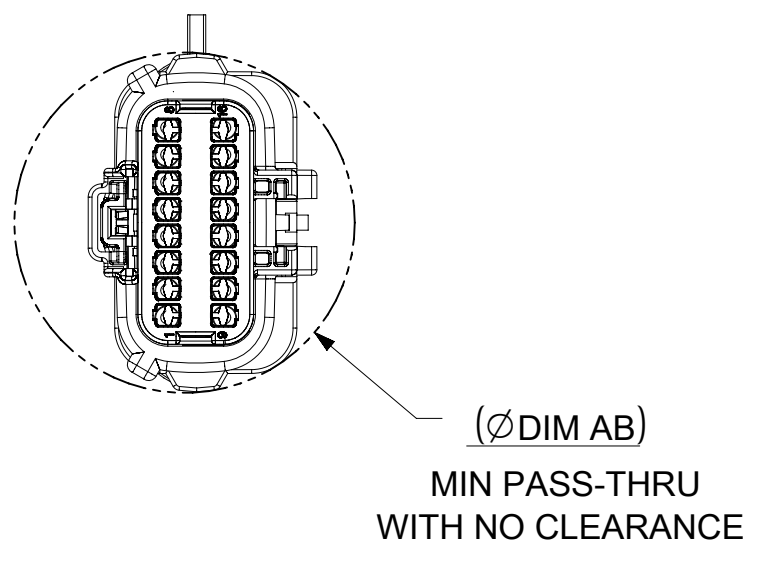
SHEET DESCRIPTION
MOLEX BACKSHELL CONFIGURATIONS



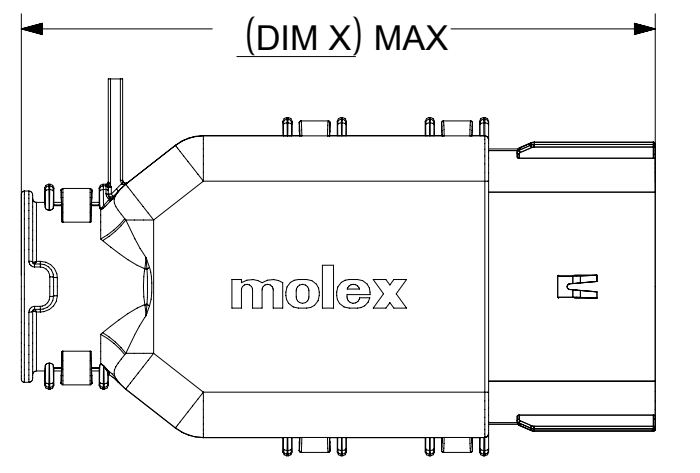
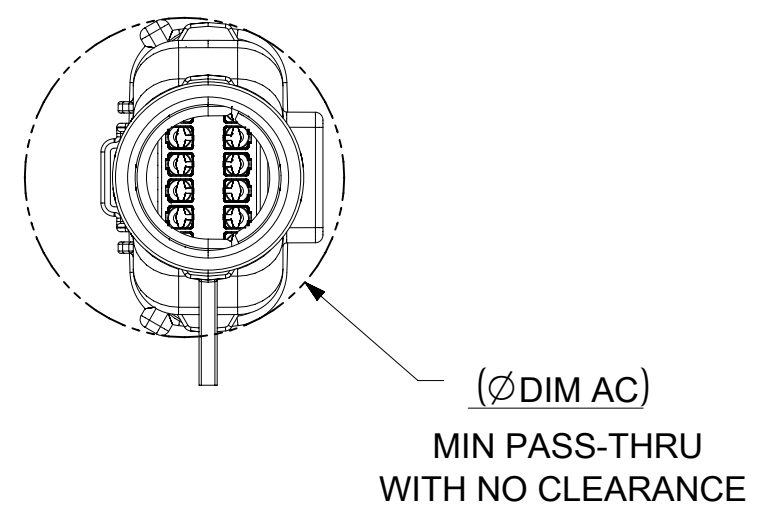
OVERALL MATED SYSTEM WITH BLADE AND RECEPTACLE BACKSHELL



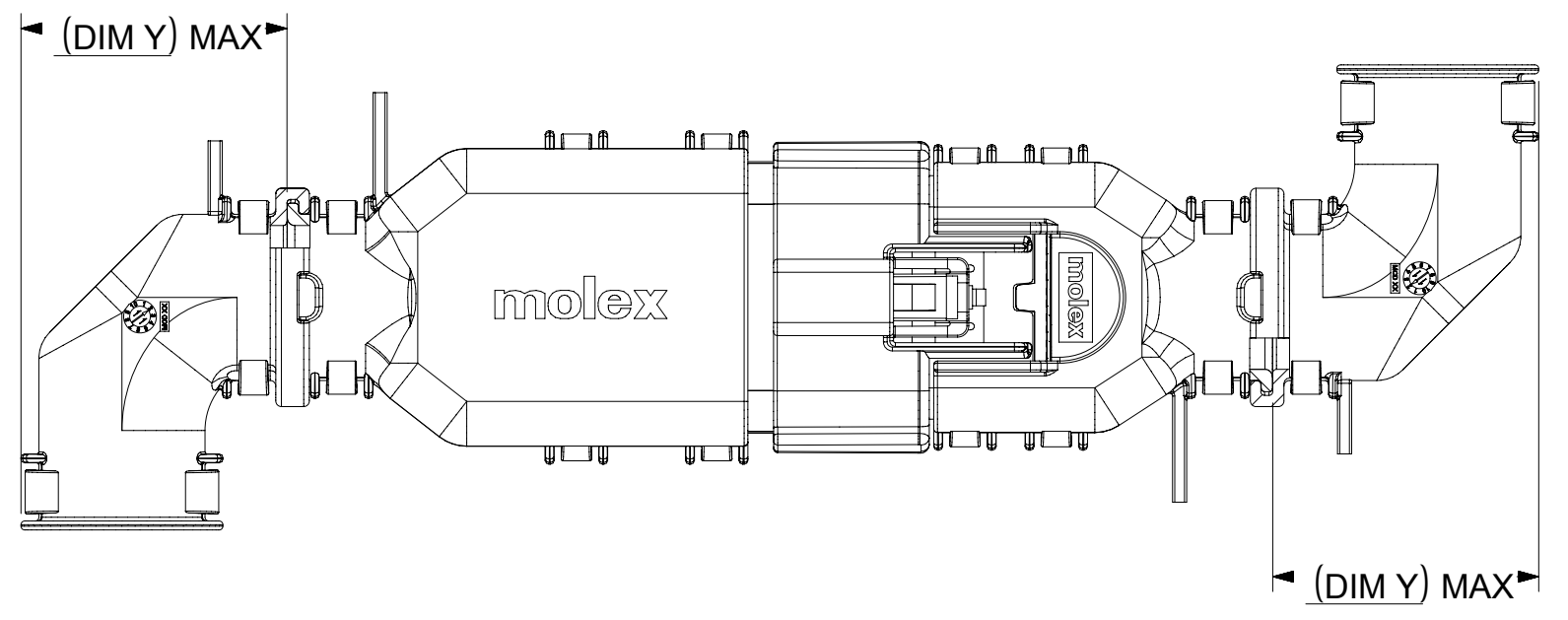
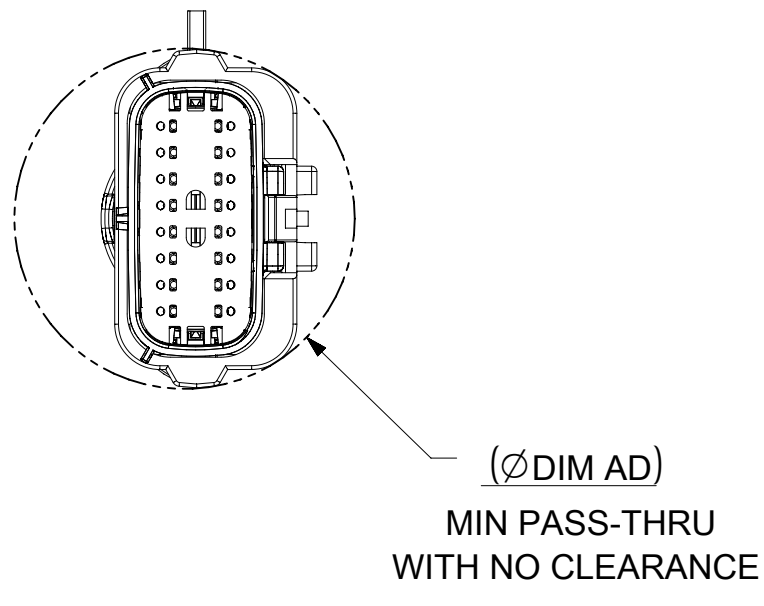
OVERALL MATED SYSTEM WITH BLADE BACKSHELL



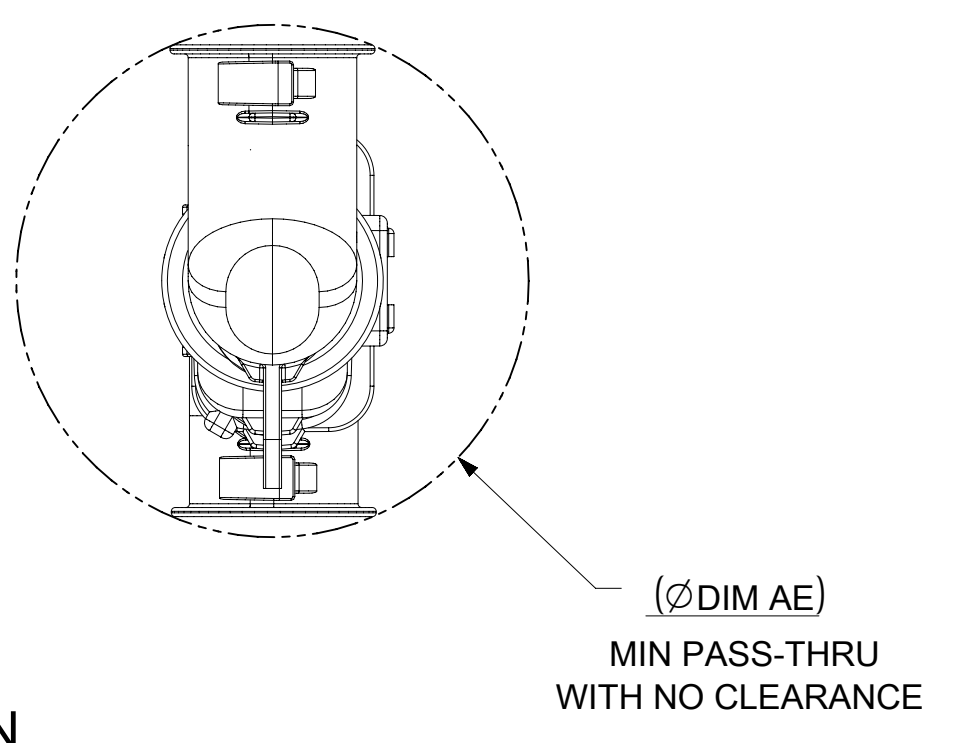
OVERALL MATED SYSTEM WITH RECEPTACLE BACKSHELL



BLADE SEALED ASSEMBLY WITH BLADE BACKSHELL



ADD THE VALUE OF 'Y' TO THE TOTAL DIMENSION WHENEVER ADAPTOR IS USED



CHARTED DIMENSIONS

CKT	BLADE CONFIGURATION	RECEPTACLE CONFIGURATION	DIMENSIONS									
			U	V	W	X	Y	AA	AB	AC	AD	AE
2X4	STANDARD	STANDARD	115.24	94.36	93.93	75.62	32.10	32.93	32.54	32.85	31.76	56.81
2X8	STANDARD	STANDARD	132.49	102.81	102.73	84.07	36.10	45.44	45.44	42.65	45.44	68.18
2X10	STANDARD	STANDARD	132.49	102.81	102.73	84.07	36.10	45.44	45.44	42.65	45.44	68.18

SYMBOLS = 0 = 0 = 0 = 0 = 0 = 0 = 0 = 0 = 0 = 0	THIS DRAWING CONTAINS INFORMATION THAT IS PROPRIETARY TO MOLEX ELECTRONIC TECHNOLOGIES, LLC AND SHOULD NOT BE USED WITHOUT WRITTEN PERMISSION DIMENSION UNITS: mm SCALE: 1:1	CURRENT REV DESC: EC NO: 171650 DRWN: PMANJUNATHAC 2018/01/03 CHK'D: MVANSLAMBROU 2018/02/16 APPR: MVANSLAMBROU 2018/02/16	 MX150 BLADE DUAL ROW SEALED ASSEMBLY MAT SEAL
	GENERAL TOLERANCES (UNLESS SPECIFIED) ANGULAR TOL ± 1.0° 4 PLACES ± 3 PLACES ± 2 PLACES ± 0.1 1 PLACE ± 0.2 0 PLACES ±	INITIAL REVISION: DRWN: APROFFITT 2014/04/28 APPR: VKOSHY 2014/05/14	
DRAFT WHERE APPLICABLE MUST REMAIN WITHIN DIMENSIONS 	THIRD ANGLE PROJECTION DRAWING: A1-SIZE SERIES: 33482	MATERIAL NUMBER: _____ CUSTOMER: GENERAL MARKET SHEET NUMBER: 11 OF 11	