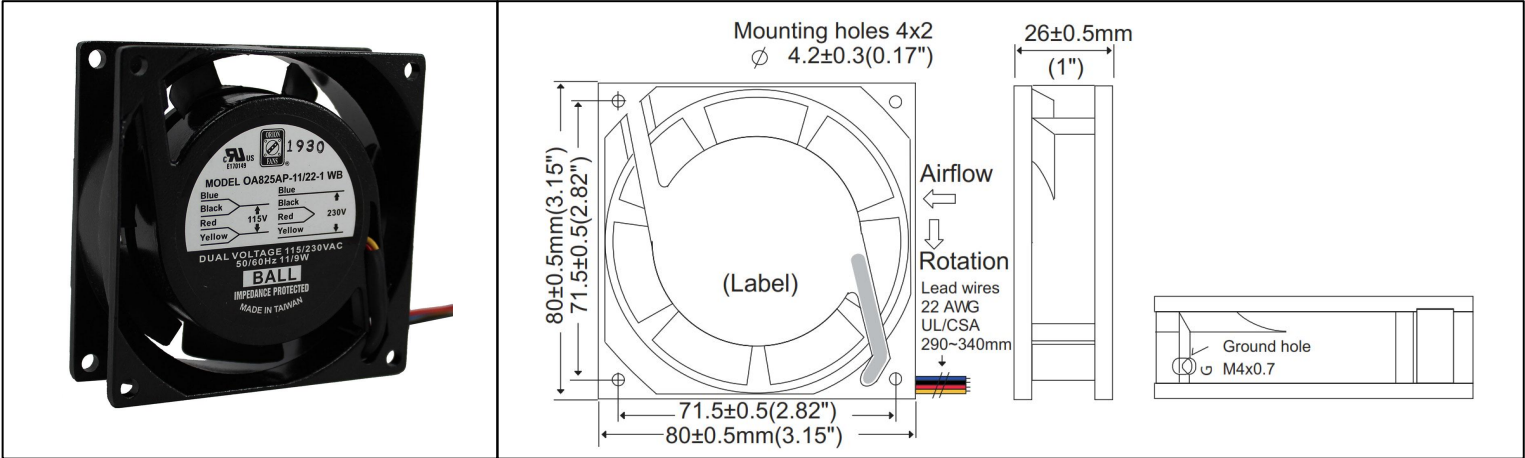


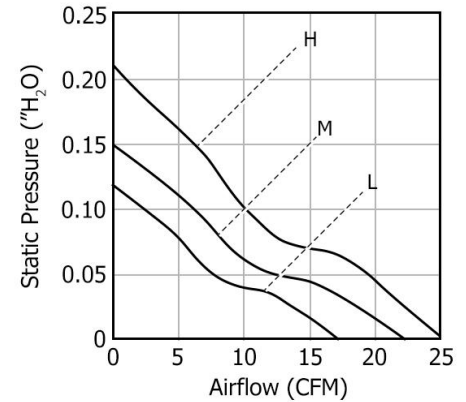
OA825AP Dual Voltage



AC Fans - 115, 230V
80mm x 25mm (3.0" x 1.0")



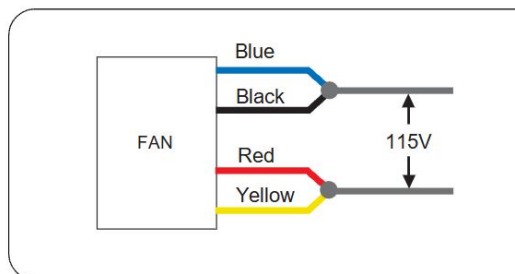
Frame	Die Cast Aluminum, Black Finish	Operating Temperature -20°C ~ +70°C Storage Temperature -40°C ~ +100°C Life Expectancy 80,000 Hours (L10 at 45°C) Weight: 0.57 lbs
Impeller	PBT, UL94 V-0 Plastic	
Connection	4x Lead Wires, 22 AWG	
Motor	AC Shaded Pole Induction, Single Phase, Impedance Protected	
Bearing System	Ball Bearings	
Dielectric Strength	1500VAC/min, <1mA	
Insulation Resistance	≥10M Ohm @ 500 VDC	



Part Number	Rated Voltage (Volts AC)	Input Power 50/60Hz (Watts)	Voltage Range (Volts AC)	Rated Speed 50/60Hz (RPM)	Max Airflow 50/60Hz (CFM)	Noise Level 50/60Hz (dBA)	Max Static Pressure ("H ₂ O)
OA825AP-11/22-1WB	115 / 230	11 / 9	100-120 / 200-240	2500 / 3000	22 / 25	28	0.18 / 0.21
OA825AP-11/22-2WB	115 / 230	8 / 6	100-120 / 200-240	2100 / 2500	18 / 22	24	0.14 / 0.15
OA825AP-11/22-3WB	115 / 230	6 / 4	100-120 / 200-240	1900 / 2100	15 / 17	19	0.11 / 0.12

*PQ Airflow Data specifications are for 60 Hz operation

Dual Voltage Wiring Diagram 115VAC



Dual Voltage Wiring Diagram 230VAC

