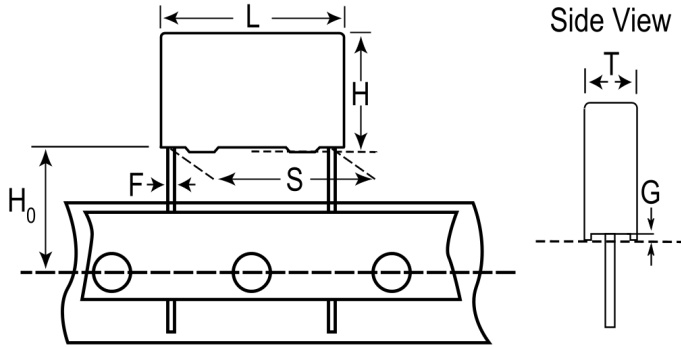


F461DI224K630L

Not for New Design

F461, Film, Metallized Polypropylene, General Purpose, 0.22 μ F, 10%, 630 VDC, 85°C, Lead Spacing = 22.5mm



General Information

| | |
|------------------|---|
| Series | F461 |
| Dielectric | Metallized Polypropylene |
| Style | Radial |
| Features | MKP, Pulse |
| RoHS | Yes |
| Lead | Wire Leads |
| AEC-Q200 | No |
| Component Weight | 5.684 g |
| Miscellaneous | The Rated Voltage Decreases 2%/C Between +85C And +105C (1.25%/C For AC). ClimCat: 55/105/56. |
| Notes | Series Replaced by R75. |

Click [here](#) for the 3D model.

Dimensions

| | |
|----|--------------------|
| L | 26mm -0.5mm |
| H | 16mm -0.5mm |
| T | 7mm -0.5mm |
| S | 22.5mm +0.6/-0.1mm |
| H0 | 18.5mm +/-0.5mm |
| F | 0.8mm +/-0.05mm |
| G | 0.5mm NOM |

Packaging Specifications

| | |
|--------------------|-----|
| Packaging | T&R |
| Packaging Quantity | 250 |

Specifications

| | |
|-----------------------|-------------------------|
| Capacitance | 0.22 μ F |
| Capacitance Tolerance | 10% |
| Voltage AC | 250 VAC |
| Voltage DC | 630 VDC, 378 VDC (105C) |
| Temperature Range | -55/+105°C |
| Rated Temperature | 85°C |
| Dissipation Factor | 0.05% 1kHz, 0.06% 10kHz |
| Insulation Resistance | 100 GOhms |
| Max dV/dt | 400 V/us |
| Inductance | 6 nH |

Statements of suitability for certain applications are based on our knowledge of typical operating conditions for such applications, but are not intended to constitute - and we specifically disclaim - any warranty concerning suitability for a specific customer application or use. This information is intended for use only by customers who have the requisite experience and capability to determine the correct products for their application. Any technical advice inferred from this information or otherwise provided by us with reference to the use of our products is given gratis, and we assume no obligation or liability for the advice given or results obtained.