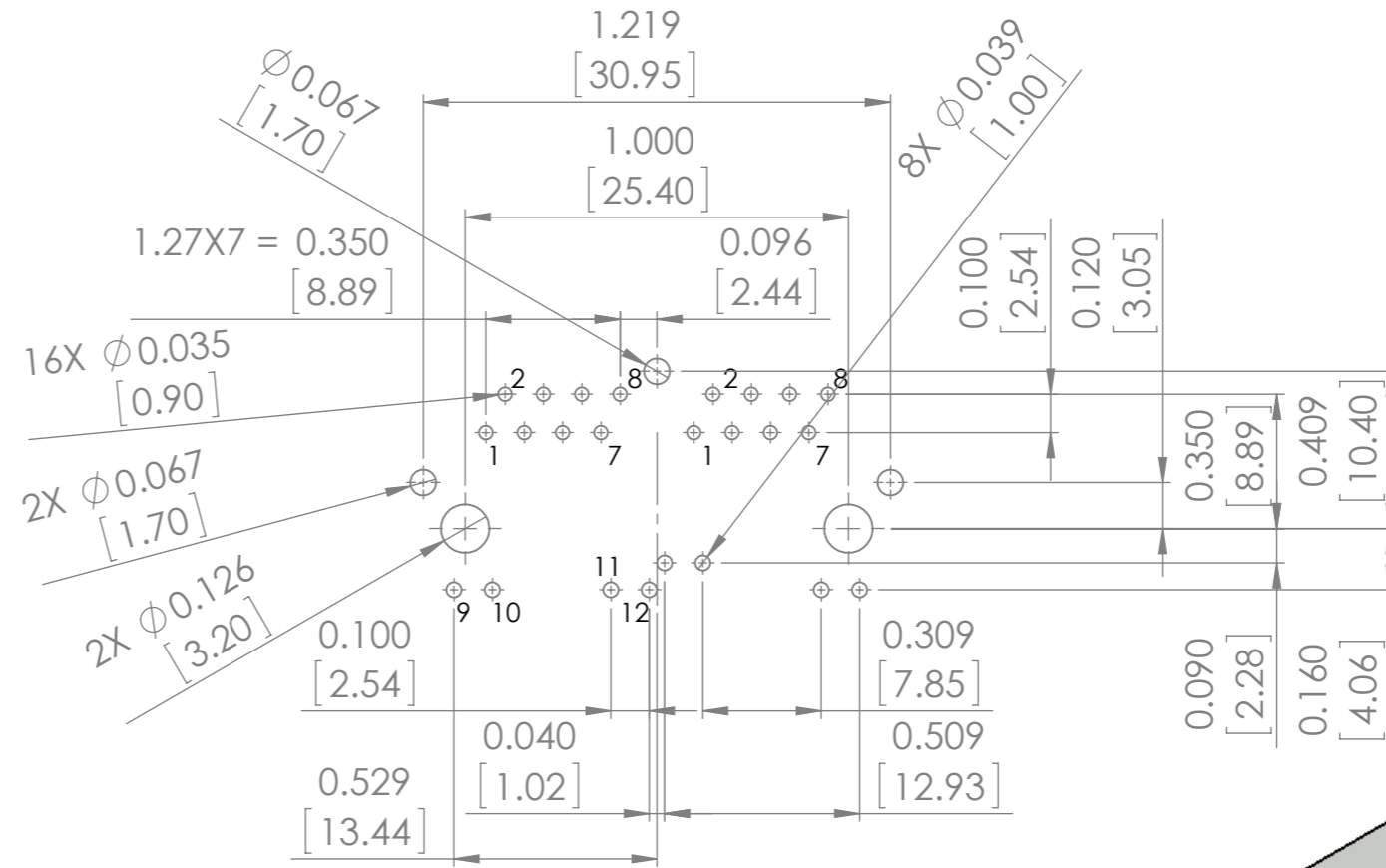
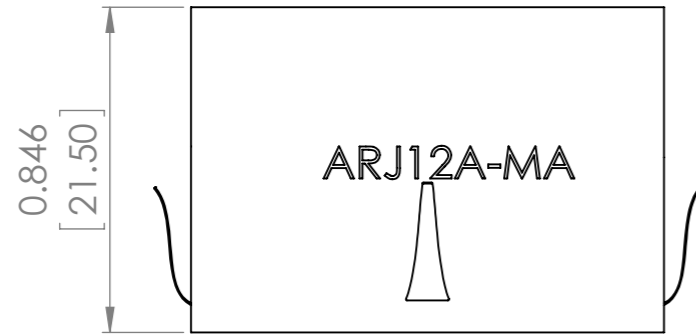
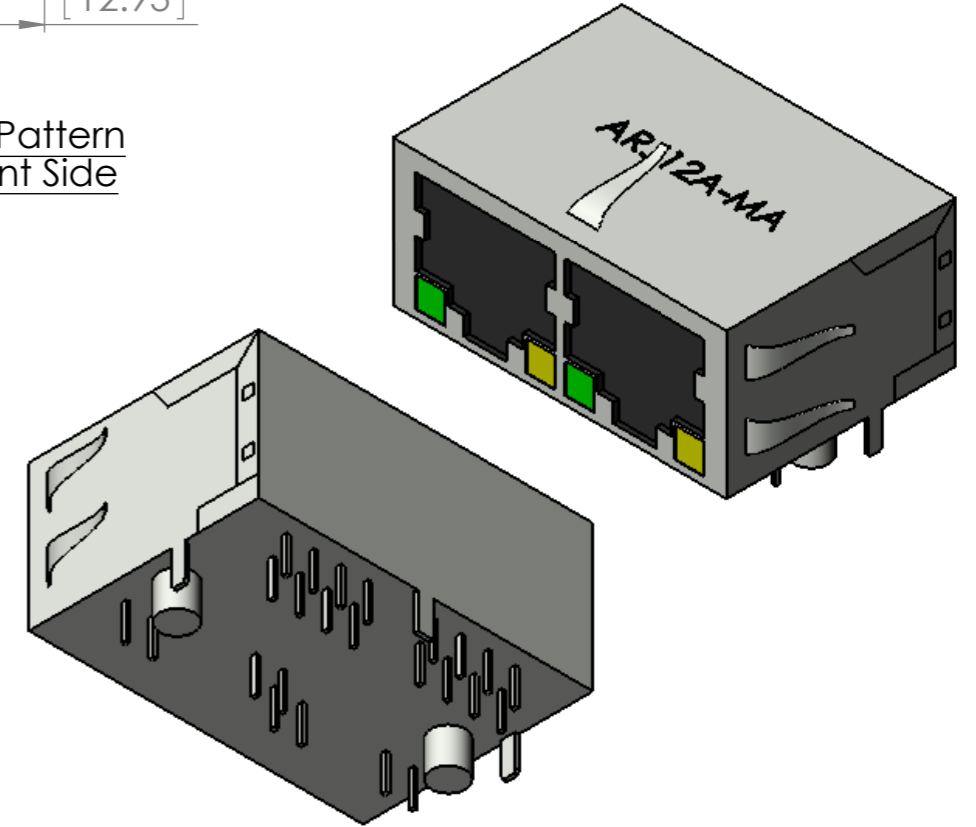
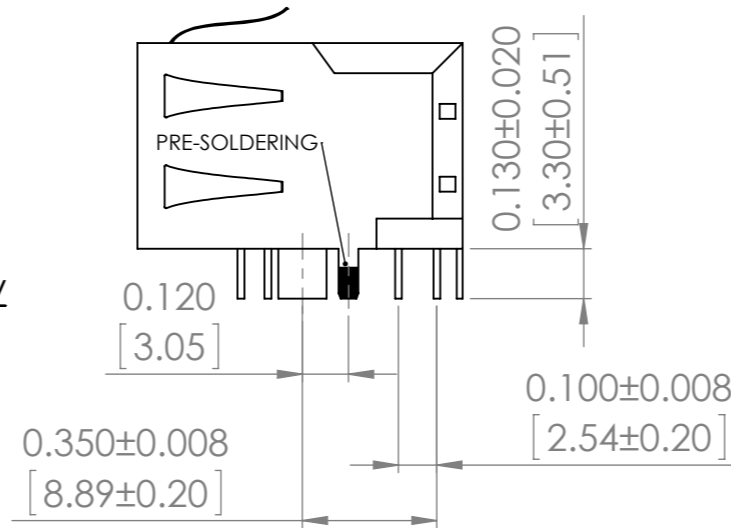
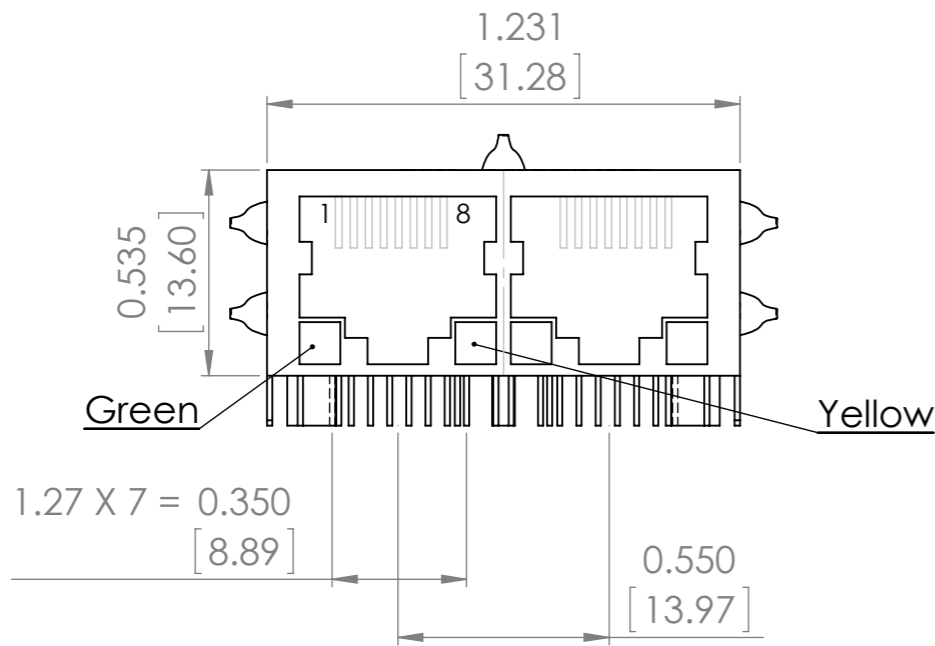



MA (10/100 Base-T)



Recommended Hole Pattern
View From Component Side



DO NOT SCALE DRAWING		REVISION -	
 ABRACON LLC <small>The Power of Linking Together</small>			
5101 Hidden Creek Lane, Spicewood Texas-78669			
TITLE:		RJ45	
DWG NO.		ARJ12A-MA	A3
SCALE:2:1		SHEET 1 OF 1	