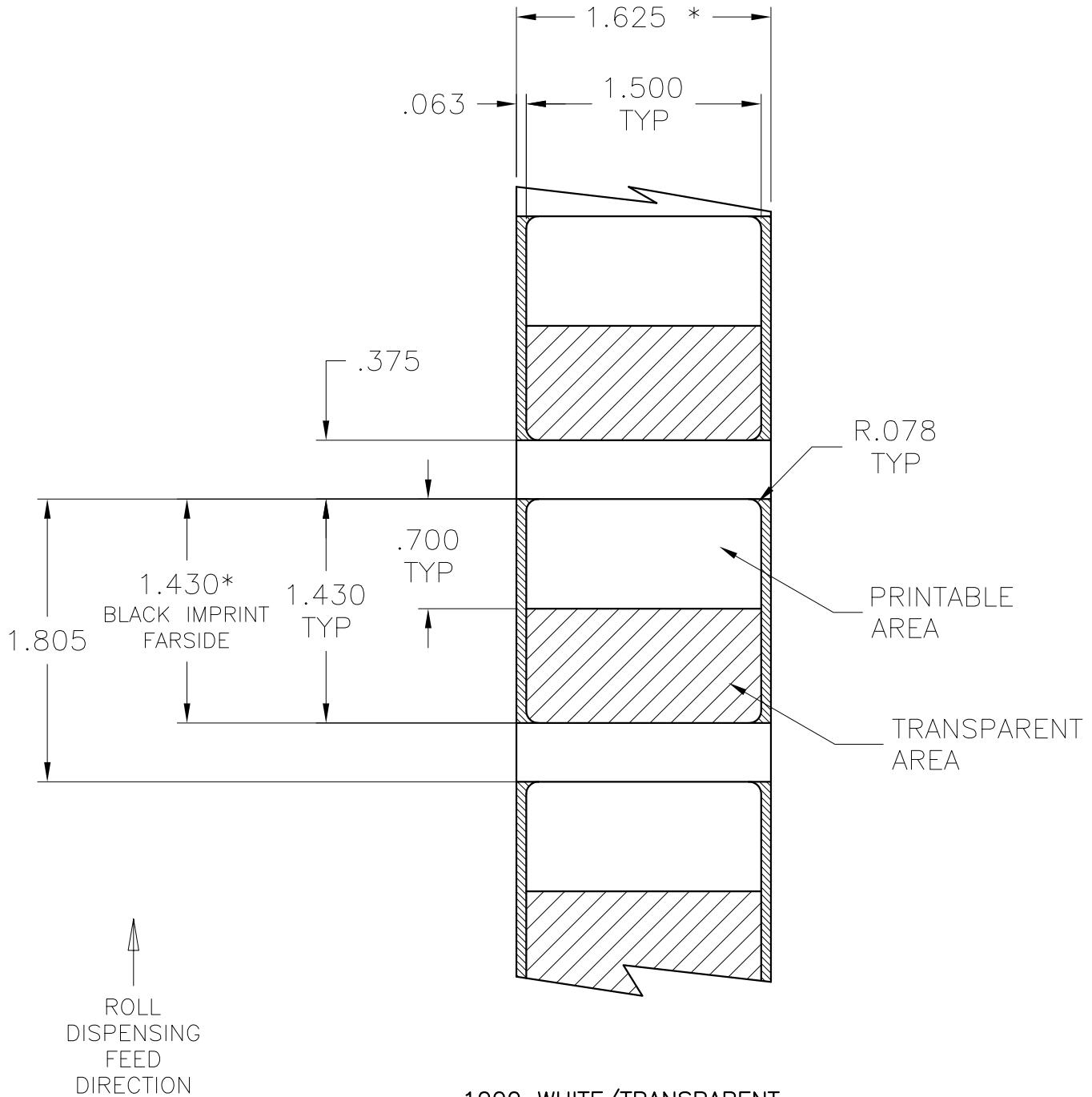


name	date	city, state

NOTES  
1) \* DIMENSIONS FOR FAR SIDE OF RELEASE LINER



1000 WHITE/TRANSPARENT LABELS PER ROLL  
1 ACROSS

REVISION	D level	$\triangle 01$
	date	08/27/13
	by	AAC
	ECN #	012427
part level	A	

DIMENSIONS	.XXXX = ±.0005
	.XXX = ±.005
	.XX = ±.01
	.X = ±.03
	∠ = ± 0.5°
unless otherwise specified	
units	inches

PART	number	596-00628	phase	PRODUCTION
	name THERMAL TRANSFER SELF-LAMINATING LABEL			
	material 100 SELF-LAMINATING CLEAR VINYL			

DRAWING	FORMAT AV version	Q	CAD	ACAD	scale	1X
	computer file number	LA\DTL\3002163_01		previous number		
	drawn	A.A.C.	checked	K.A.C.	approved	
		08/27/13		08/27/13		
type	DETAIL			sheet	1 of 1	
number	LA3002163DTL					