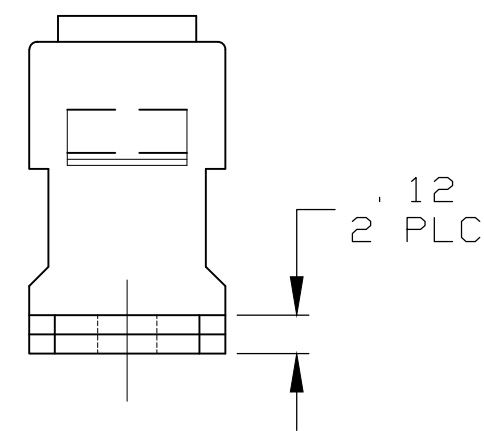
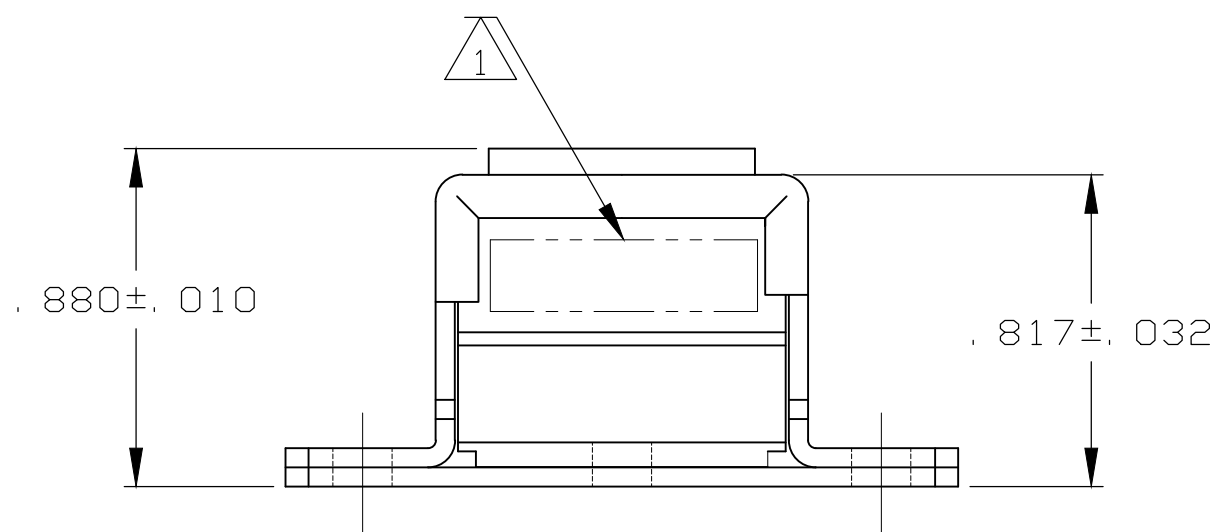
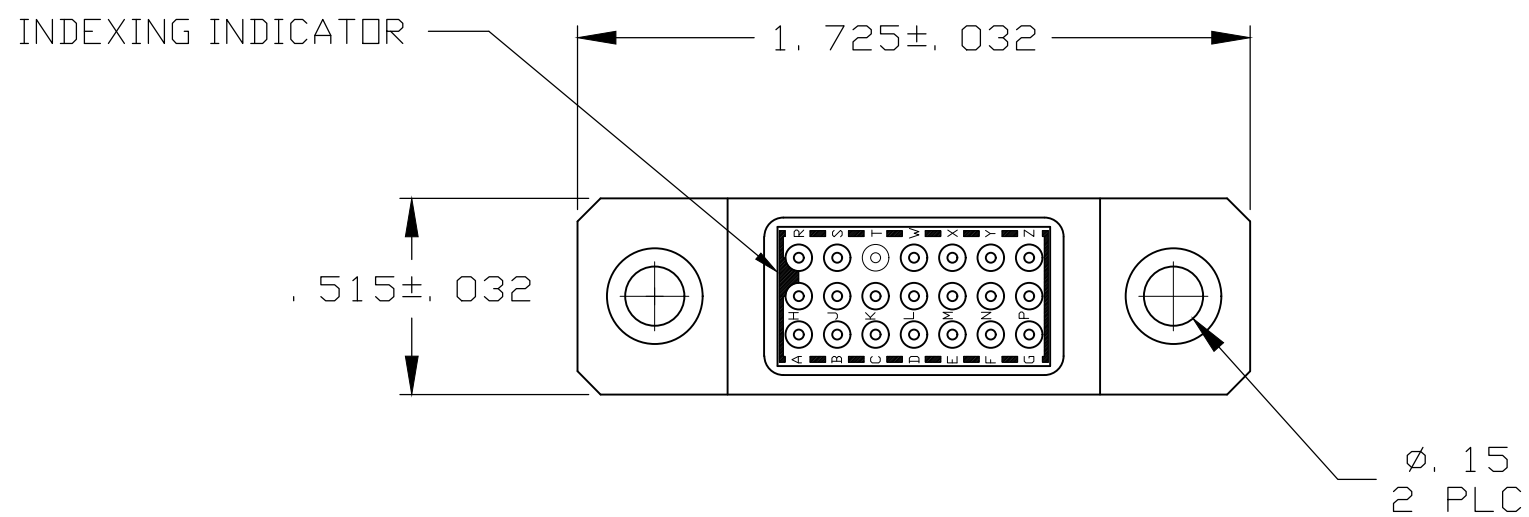


THIS DRAWING IS UNPUBLISHED.		RELEASED FOR PUBLICATION	
COPYRIGHT - By -		ALL RIGHTS RESERVED.	
DESCRIPTION	MATERIAL	FINISH	
GROMMET	FLUID RESISTANT SILICONE	COLOR: GREEN	
MODULE ASSEMBLY	D.A.P. PER MIL-M-14 TYPE SDG-F	COLOR: GREEN	
CONTACT, SOCKET ASSEMBLY	BERYLLIUM COPPER PER ASTM-B194	GOLD PLATE PER MIL-G-45204	
CLIP CONTACT RETAINING	BERYLLIUM COPPER PER ASTM-B194 OR SST PER QQ-S-766	NONE	
BRACKET / GROUNDING PLATE	AL-ALLOY 6061-T4	ELECTROLESS NICKEL PER QQ-N-290	
CONTACTS	COPPER ALLOY PER MIL-C-32029/1	GOLD PLATE PER MIL-G-45204	
SEALING PLUGS	F.E.P. PER MIL-P-19468	COLOR: BLACK	

REVISIONS				
P	LTR	DESCRIPTION	DATE	APVD
E		REV PER ECD 20-001680	2-7-20	CT VR



- 1 MODULE ASSEMBLY MARKED WITH "TE", TE PART NO. AND DATE CODE .060 MINIMUM HIGH CHARACTERS AT APPROXIMATE AREA SHOWN.
- 2 CONTACTS AND SEALING PLUGS SUPPLIED WITH MODULE ASSY.

-	SIZE 21	592840-2
2	SIZE 21	592840-1
REMARKS	DESCRIPTION	PART NO.

THIS DRAWING IS A CONTROLLED DOCUMENT.		DWN	8-24-04		
		CHK	8-24-04		
		APVD	8-24-04		
		PRODUCT SPEC			
DIMENSIONS: INCHES		TOLERANCES UNLESS OTHERWISE SPECIFIED:		NAME	
		0 PLC ± -		MODULE ASSEMBLY W/GROUNDING	
		1 PLC ± -		BRACKET, SIZE 21, TJ	
		2 PLC ± .02		-	
		3 PLC ± .005		APPLICATION SPEC	
		4 PLC ± -		-	
MATERIAL SEE TABLE		FINISH SEE TABLE		WEIGHT 0.000000	
				SCALE 2:1 SHEET 1 OF 1 REV E	
				CUSTOMER DRAWING	