

- 1
- 2
- 3
- 4
- 5
- 6
- 7
- 8
- 9
- 10
- 11
- 12
- 13
- 14
- 15
- 16
- 17
- 18

GUIDE PROFILE

Polyethylene based (HMWPE) technopolymer, natural colour.

BRACKET

AISI 304 stainless steel.

FEATURES AND APPLICATIONS

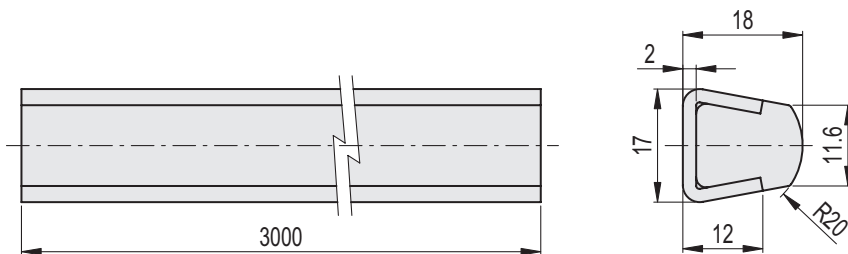
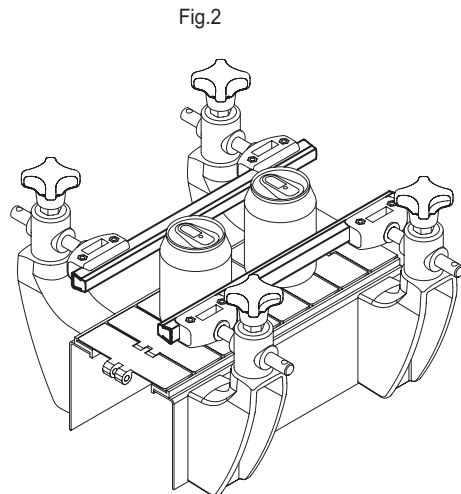
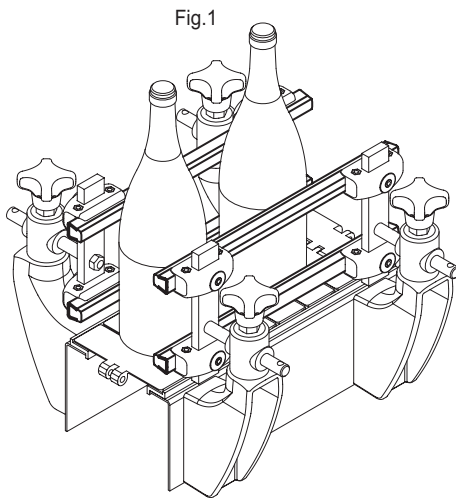
GLR side guide is used to guide very unstable products on conveyor belts, such as bottles (Fig.1) or cans (Fig.2), avoiding rotation, without leaving traces on the containers.

High molecular weight polyethylene (HMWPE) has a high wear resistance; it is particularly suitable for high-speed movements due to its low coefficient of friction.

It can be used with GLP-12 side guide.
Supplied in bars of 3 meters length.

ACCESSORIES ON REQUEST

Guide rail clamps MPG-T-S, MPG-2T, MPG-T.



INOX STAINLESS STEEL METRIC

Code	Description	⚖
419217	GLR-12-3000	2070

Levelling elements and supports