

ITEM NO.	QTY.	PART NUMBER	DESCRIPTION
1	1	30002_V-MAG-340	ENGISO Magnet V-MAG 340 ©
2	1	30174_1001	Bracket for V-Mag 340

ENGISO
ENGINEERED SOLUTIONS

Phone: (+45) 70 23 00 75
E-mail: info@Engiso.com

	Linear tolerance	0-10	10-50	50-500	500-1000	1000-
		± 0.1	± 0.2	± 0.5	± 0.8	± 1

Created: 14. april 2022 Ini: ANO Updated: 8. november 2022 Ini: ANO

Surface treatment: _____ Approver: B.Ø.

Material: Material <not specified> Weight: 7.8 Kg

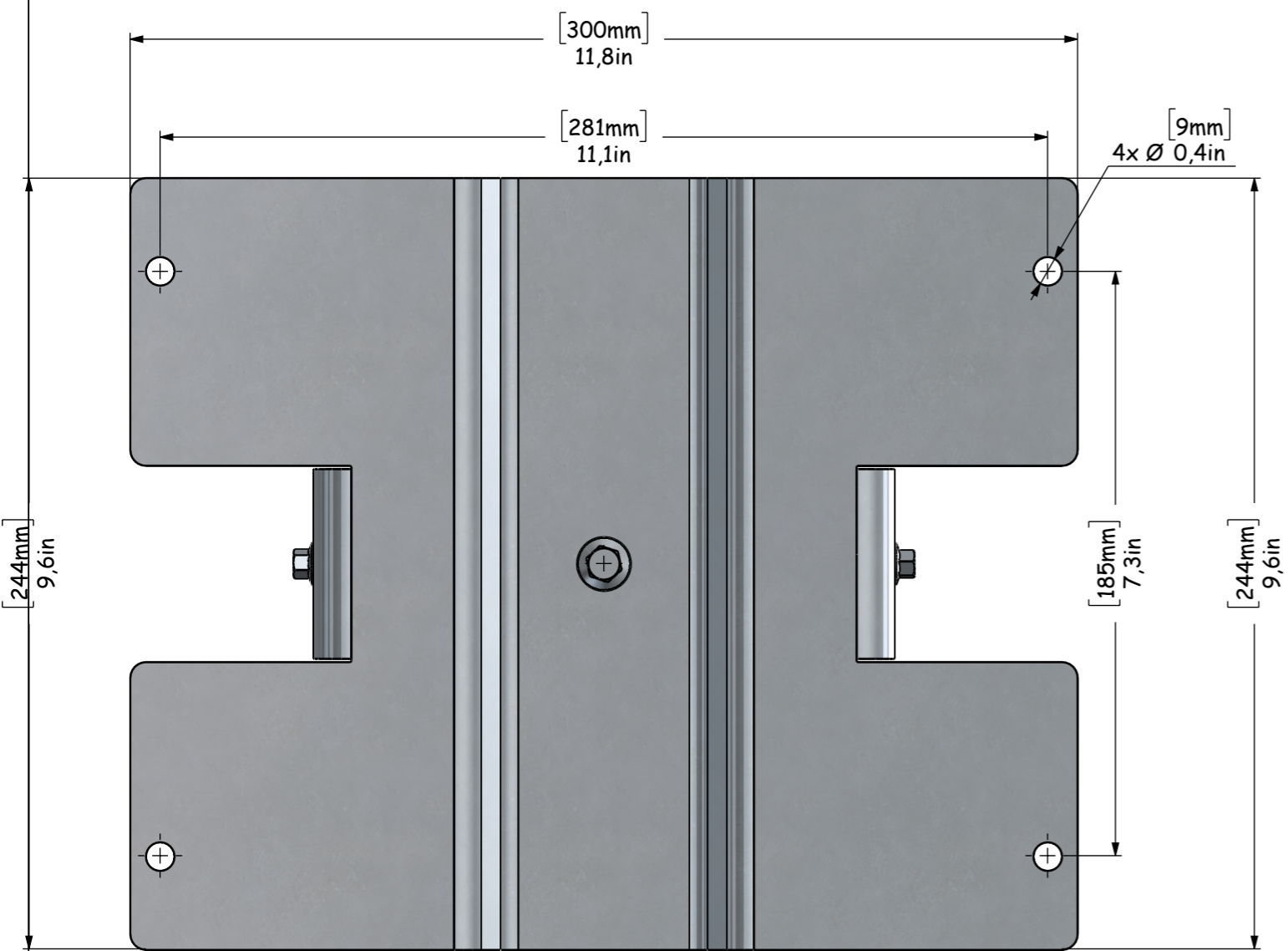
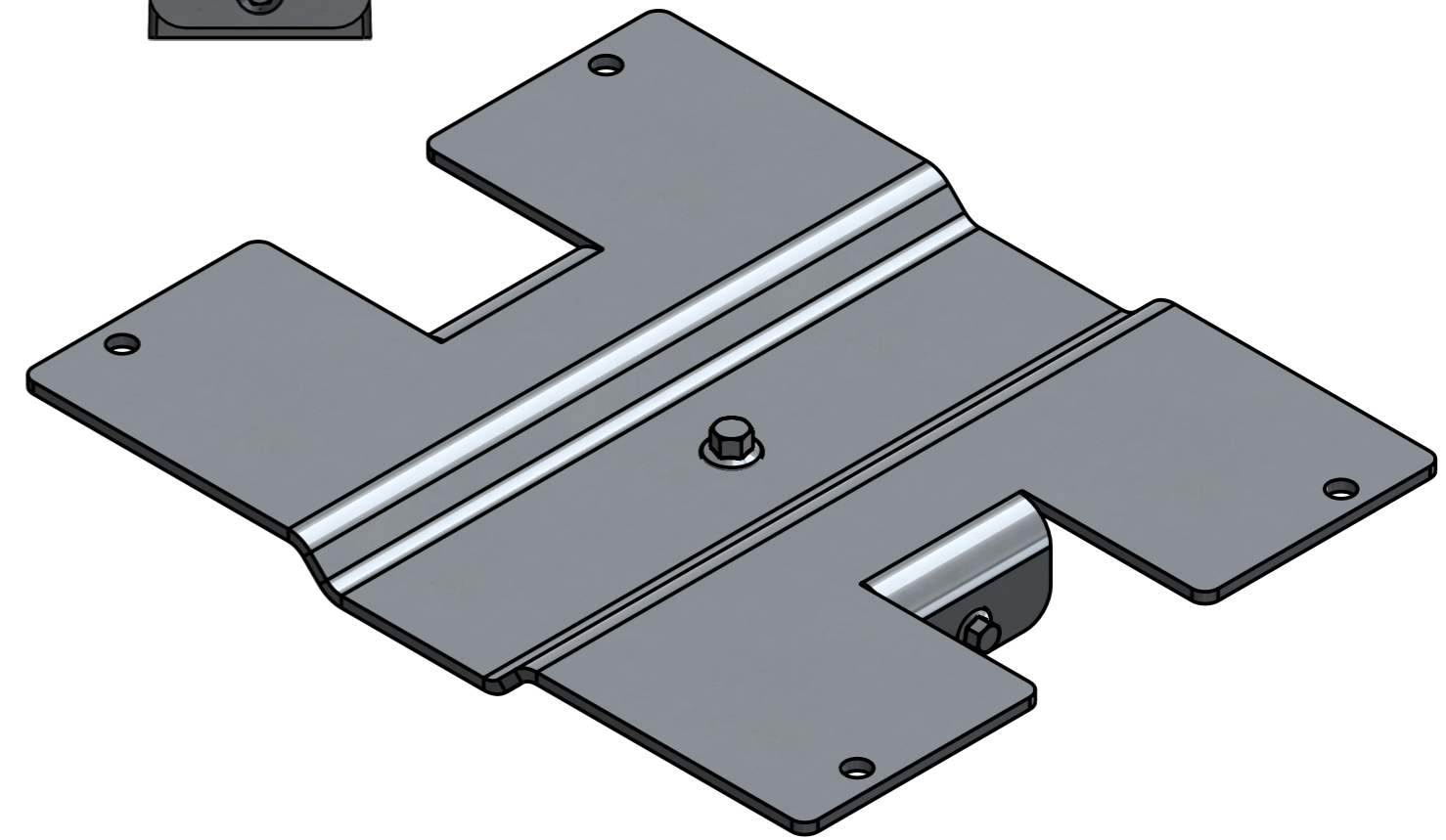
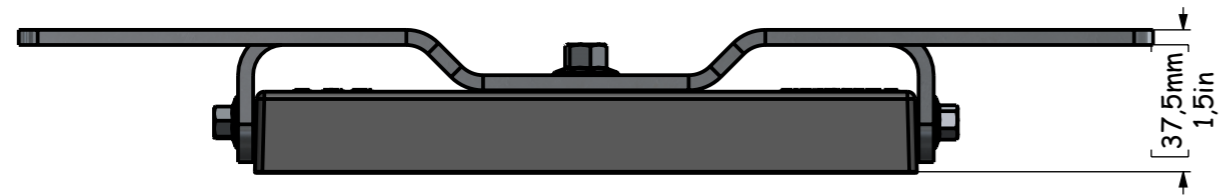
Material Cert. EN10204: _____ Item: **Bracket for V-MAG 340©**

Unit: Metric

A3	Sheet : 1 of 2	SCALE 1:2	Drawing no.: 30174_001	Rev:
----	----------------	-----------	------------------------	------

This drawing belongs Engiso, and may not be disclosed to third parties or used otherwise.

All sharp edges deburred.



ITEM NO.	QTY.	PART NUMBER	DESCRIPTION
1	1	30002_V-MAG-340	ENGISO Magnet V-MAG 340 ©
2	1	30174_1001	Bracket for V-Mag 340

ENGISO
ENGINEERED SOLUTIONS

Phone: (+45) 70 23 00 75
E-mail: info@Engiso.com

	Linear tolerance	0-10	10-50	50-500	500-1000	1000-
		± 0.1	± 0.2	± 0.5	± 0.8	± 1

Created: 14. april 2022 Ini: ANO Updated: 8. november 2022 Ini: ANO

Surface treatment: _____ Approver: B.Ø.

Material: Material <not specified> Weight: 7.8 Kg

Material Cert. EN10204: _____ Item: **Bracket for V-MAG 340©**

Unit: Metric

A3	Sheet : 2 of 2	SCALE 1:2	Drawing no.: 30174_001	Rev:
----	----------------	-----------	-------------------------------	------

This drawing belongs Engiso, and may not be disclosed to third parties or used otherwise.

All sharp edges deburred.