

ITEM	PART#	DESCRIPTION	QTY	UOM
A	9508020	KK 156 Crimp Housing 02 Ckt	1	PC
B	8500105	KK 156 TERMINAL CRIMP 18-24 AWG TIN	2	PC
C		PAPER PRINTED PAPER WHITE (S100X150YAJ)	1	PC

FROM	TO	DESCRIPTION	COLOR
A1	--	1X18AWG MPPE BK UL11028	BLACK
A2	--	1X18AWG MPPE BK UL11028	BLACK

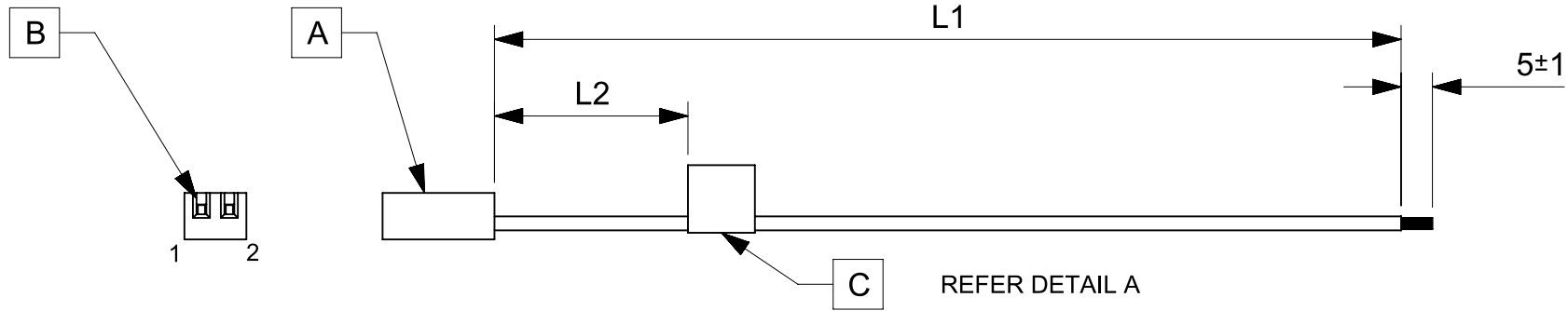


TABLE			
PART NUMBER	L1	L2 (REF)	TITLE
2196651022	150±4	50	KK 3.96 R-S 2ckt 150mm disc Sn
2196651023	300±4	50	KK 3.96 R-S 2ckt 300mm disc Sn
2196651024	600±6	50	KK 3.96 R-S 2ckt 600mm disc Sn

NOTES

- Connector view shown is from mating side.
- Label text must be 2mm max. in height with Arial font.
- Label must be wrapped in Flag type on a single cable.
- Free ends must be stripped, twisted & tinned. The length of tinning is 5±1mm. Tinning Dia must be 1.6 mm Max.

MOLEX P/N
MOLEX
BATCH WK/YR

DETAIL A

REVISION			
DATE	REV	DESCRIPTION	CHANGER
2021/12/27	A	INITIAL RELEASE	SAIKIG

FUNCTIONAL SYMBOLS FA = 0 FE = 0 FP = 0	THIS DRAWING CONTAINS INFORMATION THAT IS PROPRIETARY TO MOLEX ELECTRONIC TECHNOLOGIES, LLC AND SHOULD NOT BE USED WITHOUT WRITTEN PERMISSION		CURRENT REV DESC:		
	DIMENSION UNITS mm	SCALE NTS			
DIVISIONAL SYMBOLS	GENERAL TOLERANCES (UNLESS SPECIFIED)		EC NO: 691733		
	ANGULAR TOL ± °		DRWN: SAIKIG 2021/12/29		
	4 PLACES ±		CHK'D: MNARAYAN01 2022/01/19		
	3 PLACES ±		APPR: MNARAYAN01 2022/01/19		
	2 PLACES ±	INITIAL REVISION:		DOCUMENT NUMBER	
	1 PLACE ±	DRWN: SAIKIG 2021/12/29		2196651022	
	0 PLACES ±	APPR: MNARAYAN01 2022/01/19		DOC TYPE	DOC PART
DRAFT WHERE APPLICABLE MUST REMAIN WITHIN DIMENSIONS		THIRD ANGLE PROJECTION	DRAWING	SERIES	MATERIAL NUMBER
			A4-SIZE	219665	SEE TABLE
			CUSTOMER	GENERAL MARKET	REVISION
					000 A
					SHEET NUMBER
					1 OF 1

DOCUMENT STATUS	P1	RELEASE DATE	2022/01/19	05:16:33
-----------------	----	--------------	------------	----------