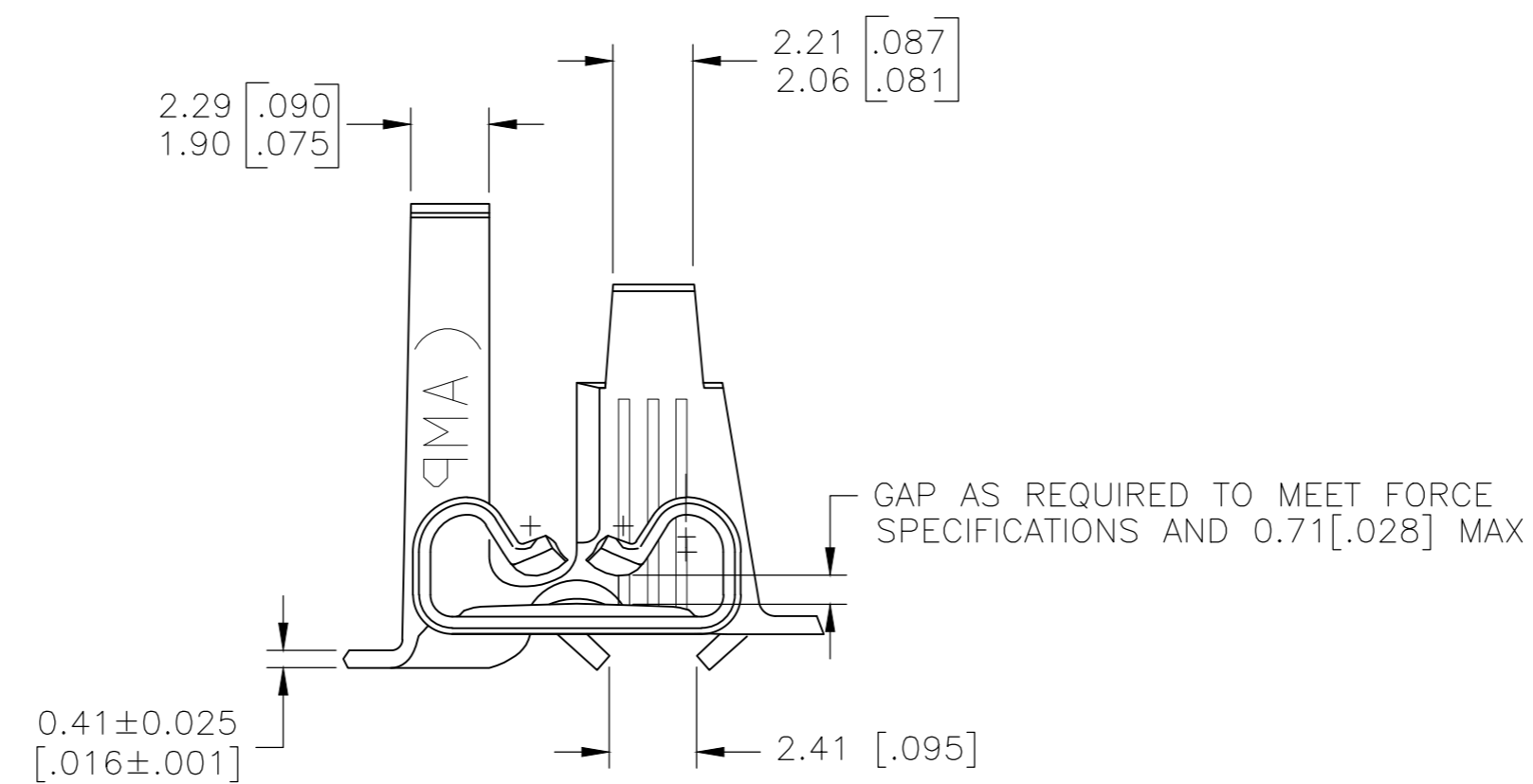
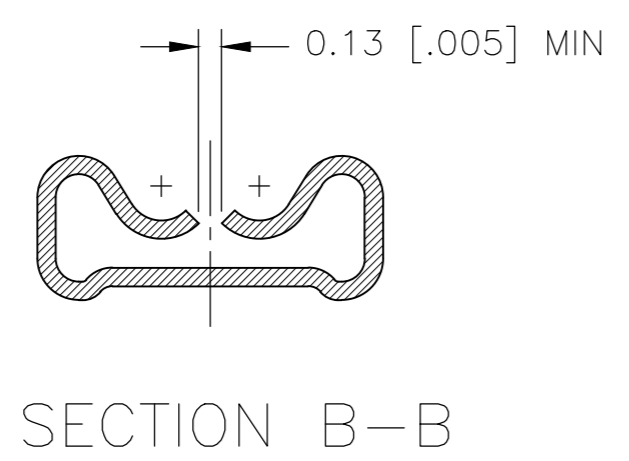
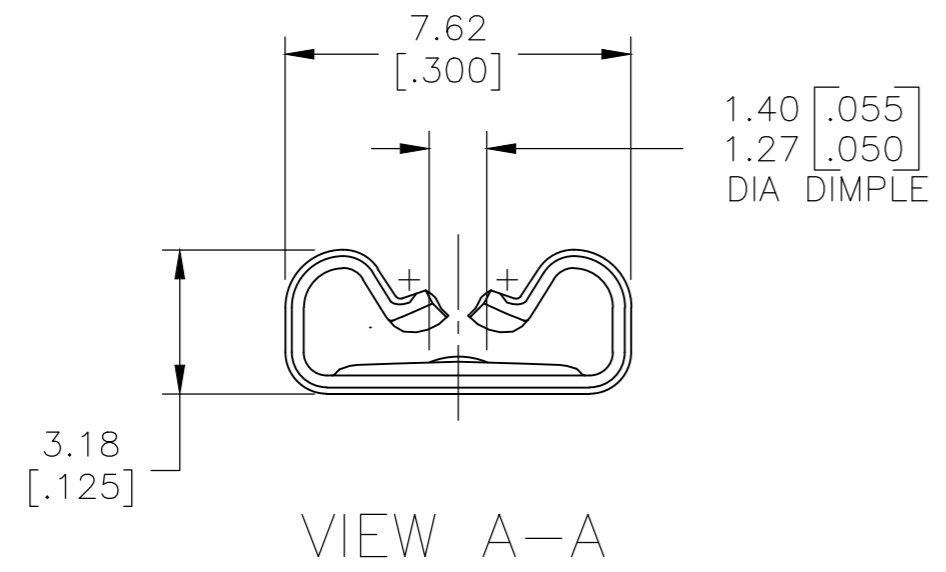
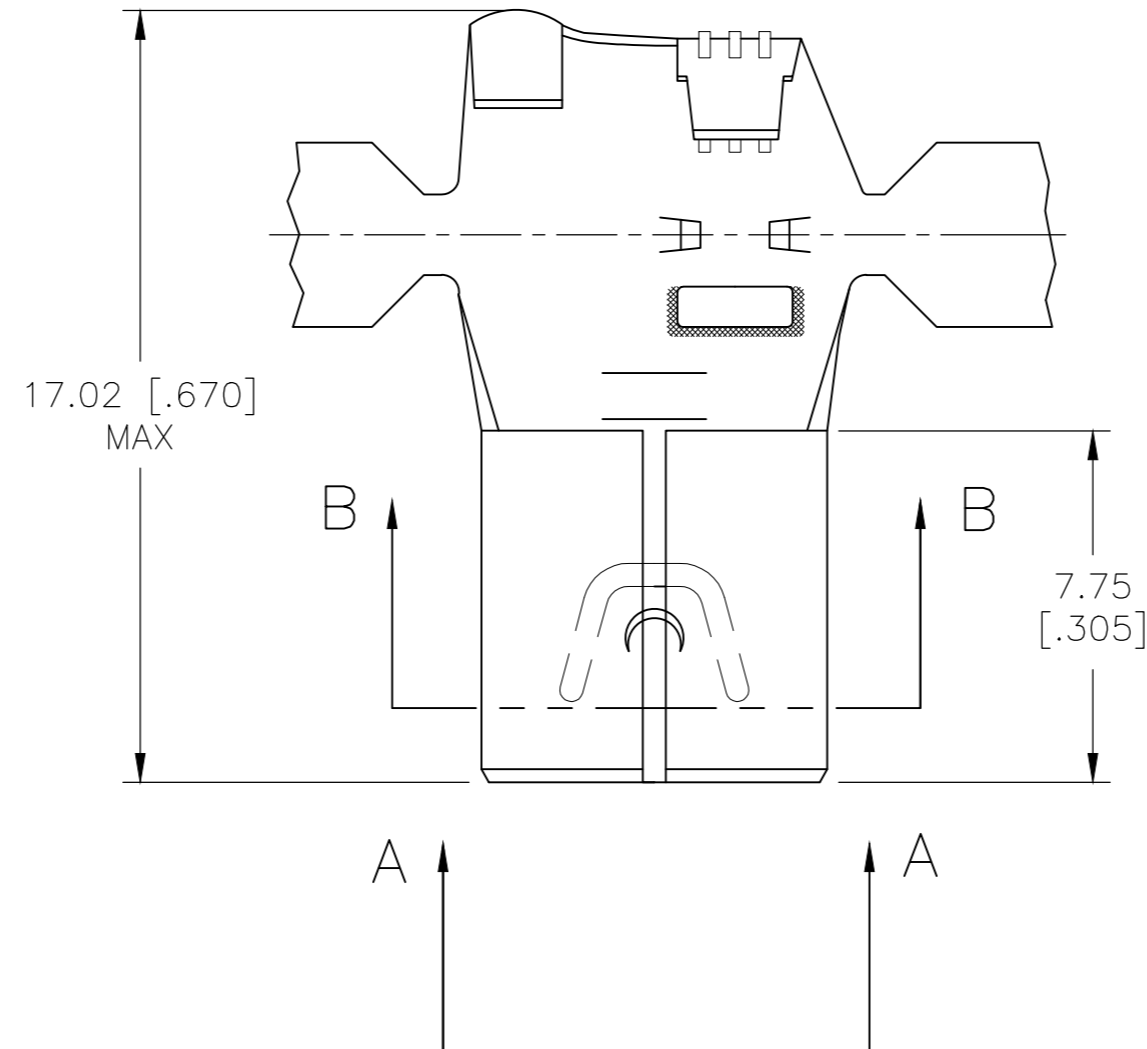


THIS DRAWING IS UNPUBLISHED. RELEASED FOR PUBLICATION  
 © COPYRIGHT - By - ALL RIGHTS RESERVED.

REVISIONS					
P	LTR	DESCRIPTION	DATE	DWN	APVD
A11		REVISED PER ECR-18-004893	02MAY2018	BDA	DH
A12		REVISED PER ECR-20-009164	09JULY2020	MK	DH

- 1 CONTINUOUS STRIP ON REELS
- 2 WIRE SIZE: SINGLE 18-12, 2-18'S OR 1-18/1-16
- 3 INSULATION RANGE IS 2.29-5.33 [.110-.210] DIA
- 4 MATING TAB THK IS 0.84-0.76 [.033- .030]
- 5 0.00381 [.000150] MIN NICKEL PLATE
- 6 THIS PART DASH # IS UL APPROVED FOR AWG 18-14 ONLY
- 7 REELING ORIENTATION ACCORDING TO TE SPEC. 107-3 FIG. 243
- 8 THIS PART DASH # IS UL APPROVED FOR AWG 18-12
- 9 THIS PART SHARE THE SAME DESIGN WHIT 1742543-1, BUT DIFFERENT IN PACKAGING QUANTITY.
- 10 OBSOLETE/SUPERSEDED BY PN 2238197-3



10	NICKEL	CR STEEL	9	1742543-4
8	TIN	BRASS	8	1742543-3
5	NICKEL	CR STEEL	6	1742543-1
	FINISH	MATERIAL		PART NO

THIS DRAWING IS A CONTROLLED DOCUMENT.		DWN	29JAN07		
		CHK	26JAN07		
		APVD	26JAN07		
		PRODUCT SPEC			
DIMENSIONS: mm [INCHES]		TOLERANCES UNLESS OTHERWISE SPECIFIED:		NAME	
0 PLC ± -		1 PLC ± -		RECEPTACLE, FASTON, FLAG, 6.35 [.250] SERIES	
2 PLC ± -		3 PLC ± 0.25 [.010]		SIZE	
4 PLC ± -		ANGLES ± 5°		CAGE CODE	
MATERIAL SEE TABLE		FINISH SEE TABLE		DRAWING NO	
				A2 00779	
				SCALE	
				6:1	
				SHEET	
				1 of 1	
				REV	
				A12	