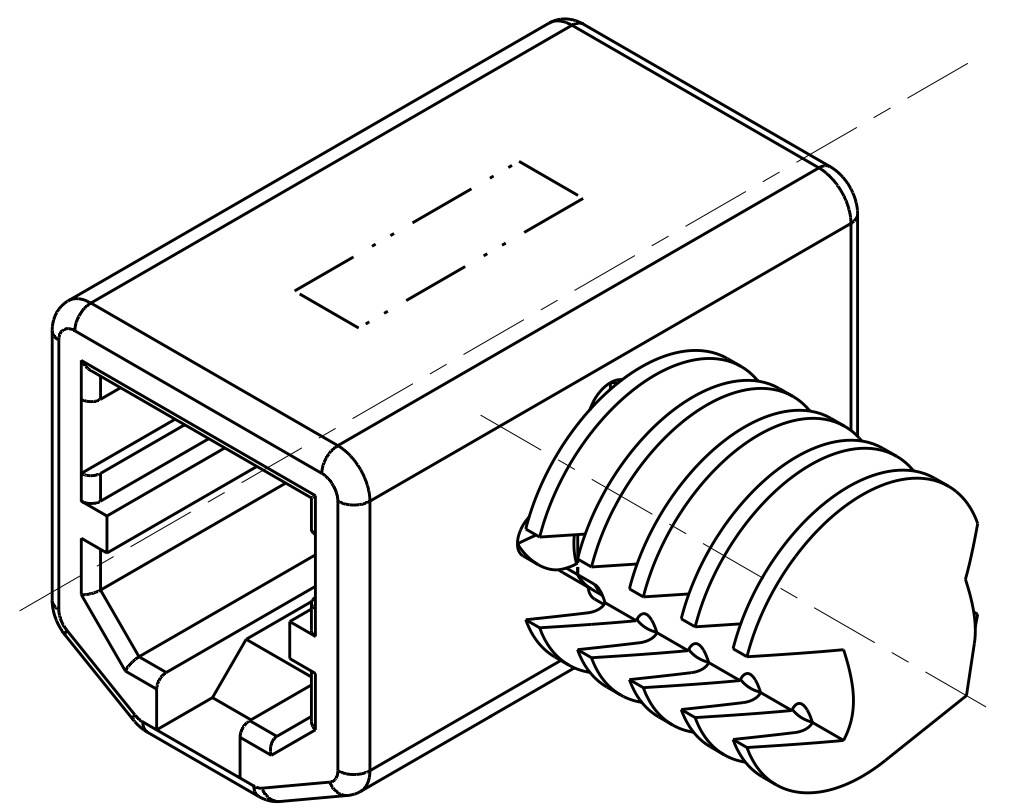
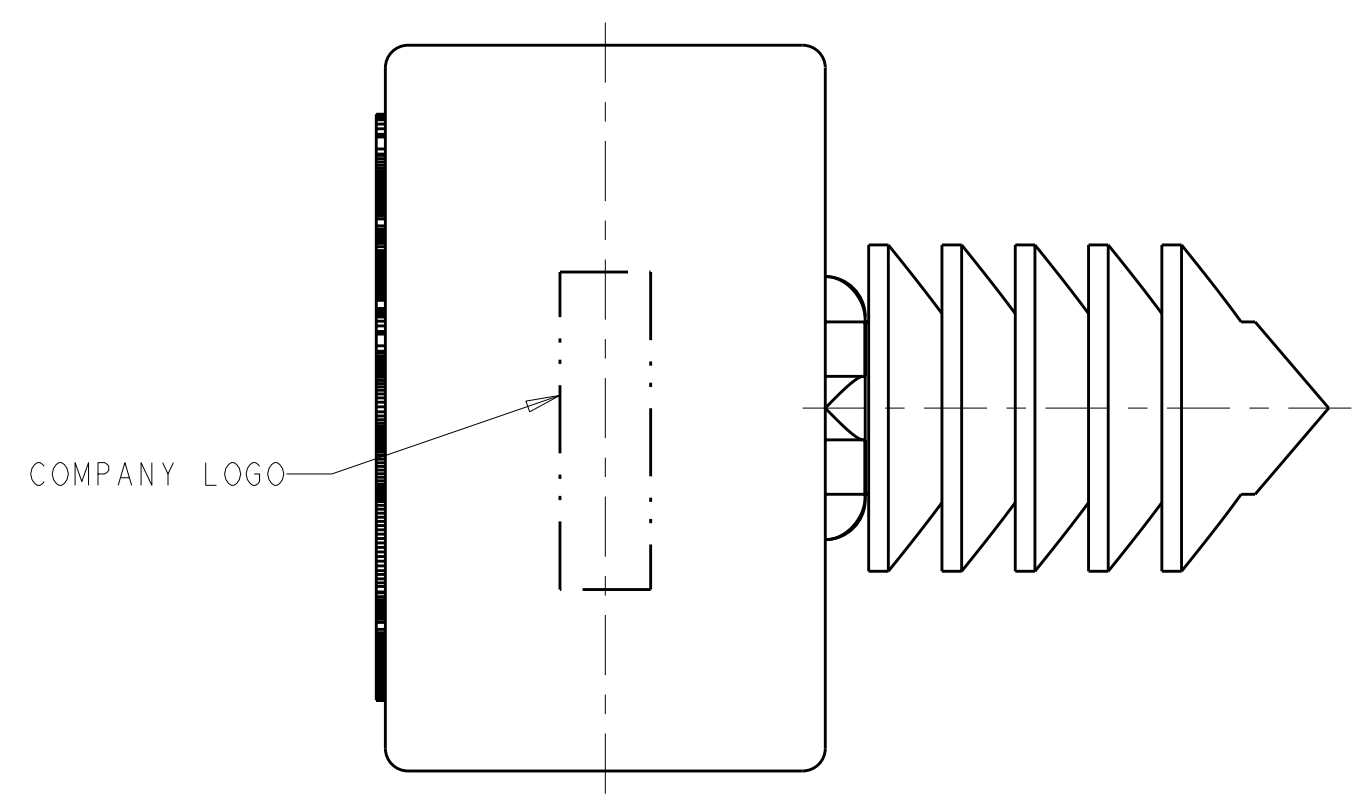
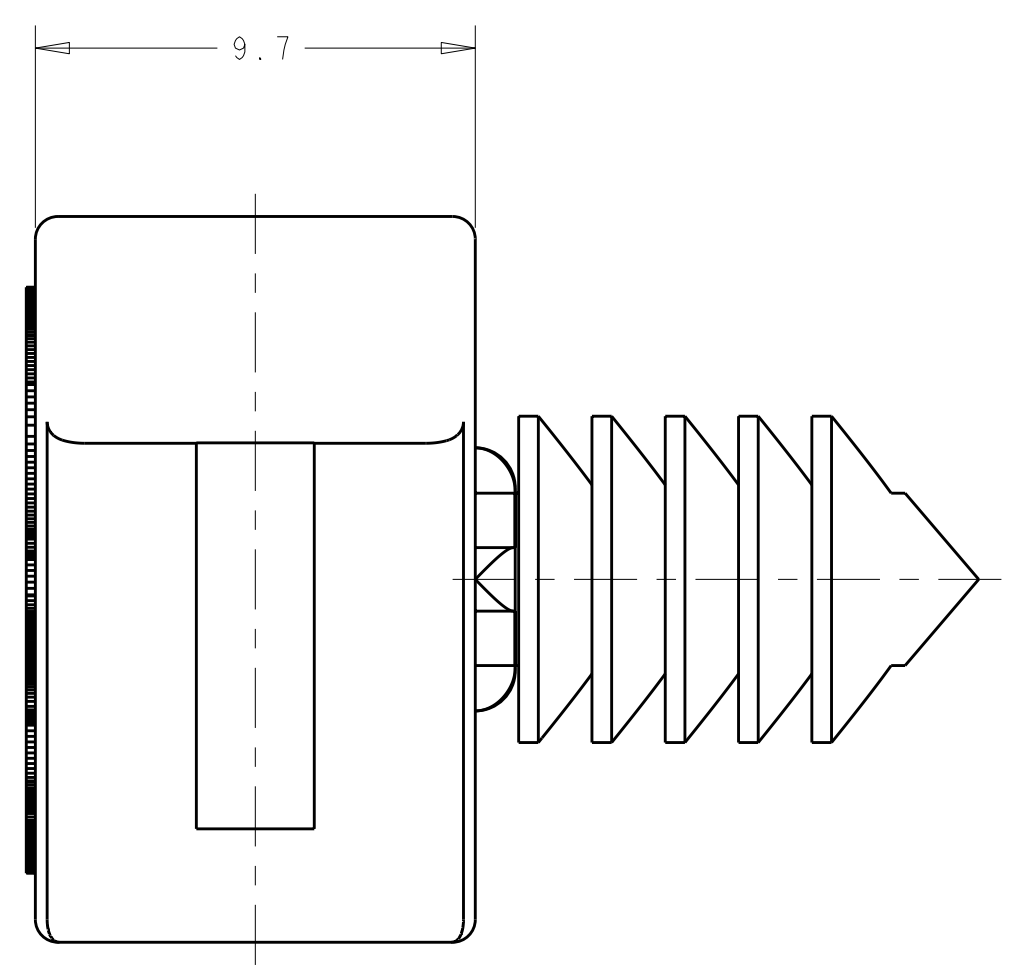
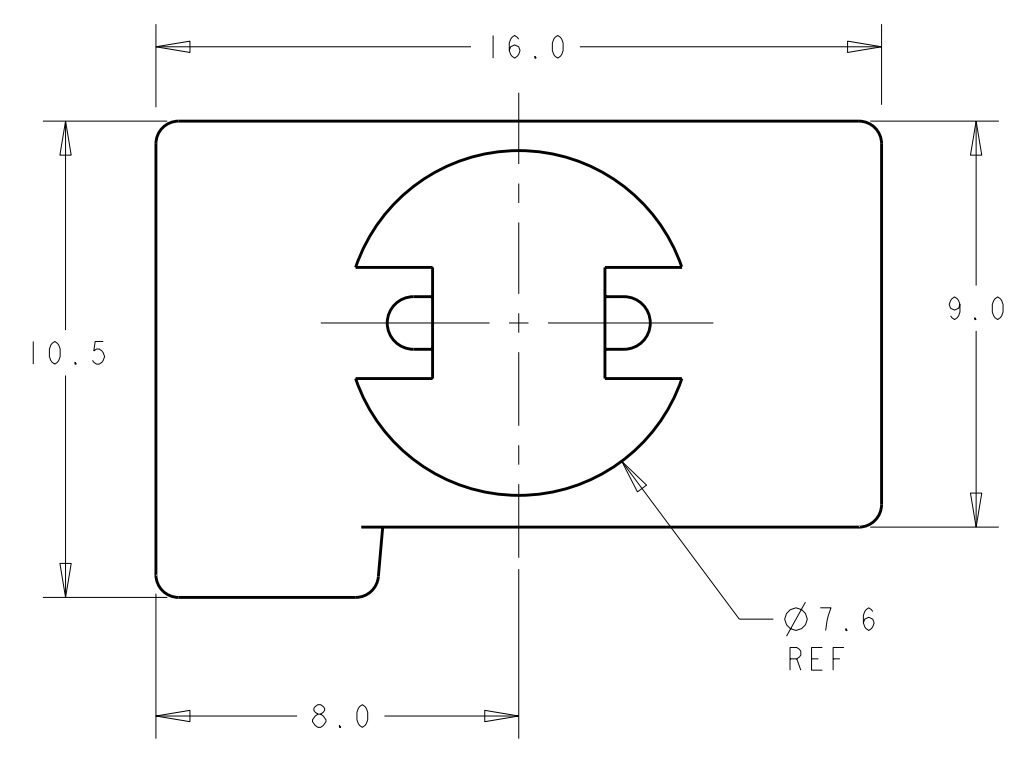
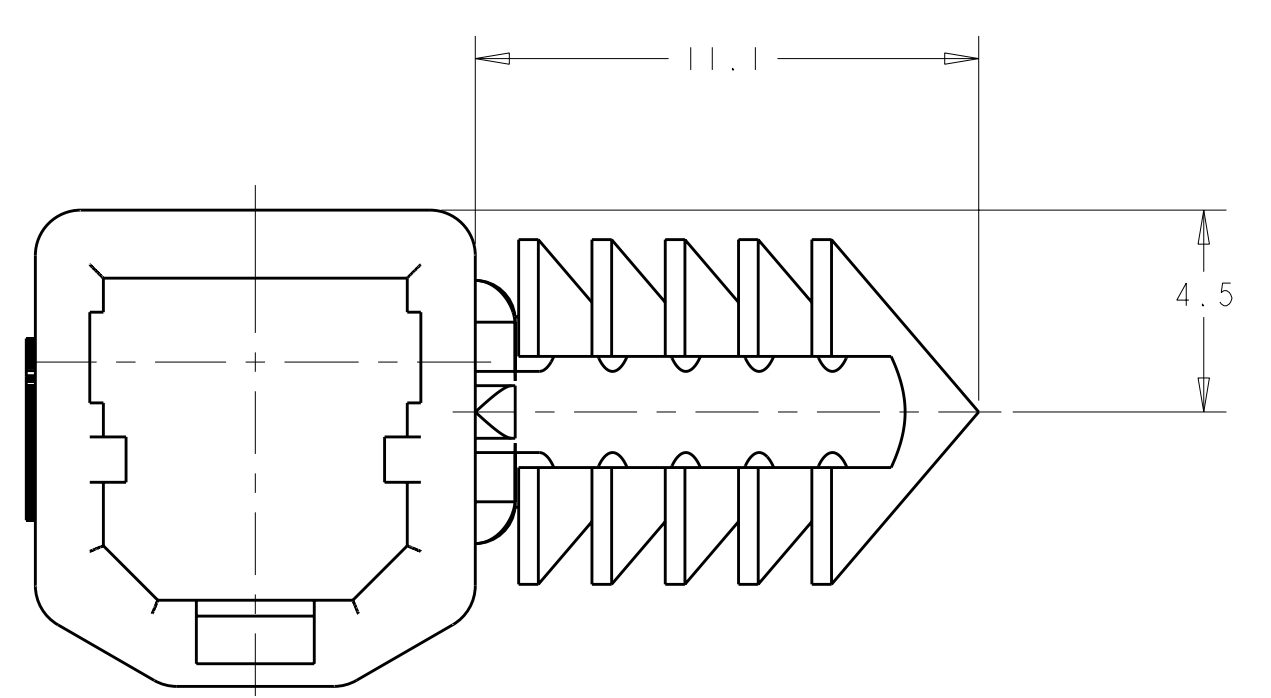
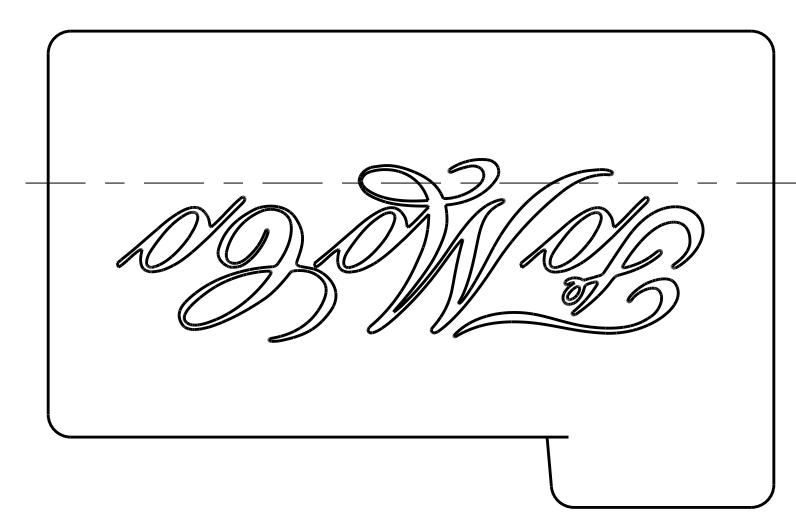


LOC	DIST	REVISIONS			
P	LTR	DESCRIPTION	DATE	DWN	APVD
04		REVISED	08OCT2002	LBP	SA
A		REVISED PER EC# 0K80-0360-02	20DEC2002	LBP	SSA
A1		REV PER ECR-10-008554	21APR2010	VSS	SA



- NOTES:  
 1. DELETE CAP FOR PN 174056.  
 2. RECOMMENDED MOUNTING HOLE 6.5 MM DIA.  
 RECOMMENDED PANEL THICKNESS 0.56-5.10MM.



PANEL DETAIL  
 PANEL THICKNESS TO BE 0.56-5.10

BLACK	NYLON	1438381-2
COLOR	MATERIAL	PART NUMBER

<small>THIS DRAWING IS UNPUBLISHED. RELEASED FOR PUBLICATION. ALL RIGHTS RESERVED. THIS DRAWING IS THE PROPERTY OF TYCO ELECTRONICS CORPORATION. IT IS SUBJECT TO CHANGE WITHOUT NOTICE AND WITHOUT OBLIGATION. SHOULD BE CONTACTED FOR THE LATEST REVISION.</small>		DWN J MCNEAL 29JUL2002 CHK S ASHLEY 29JUL2002 APVD S ASHLEY 29JUL2002	Tyco Electronics Harrisburg, PA 17105-3608
DIMENSIONS: mm 	TOLERANCES UNLESS OTHERWISE SPECIFIED: 0 PLC ± 1 PLC ±0.5 2 PLC ±0.5 3 PLC ± 4 PLC ± ANGLES ±1° FINISH	NAME PRODUCT SPEC APPLICATION SPEC WEIGHT CUSTOMER DRAWING	DELETED CAP 040 SERIES MULTILOCK 2 POSN CAP HOUSING SIZE CAGE CODE DRAWING NO A1 00779 C=1438381 SCALE 4:1 SHEET 1 OF 1 REV A1