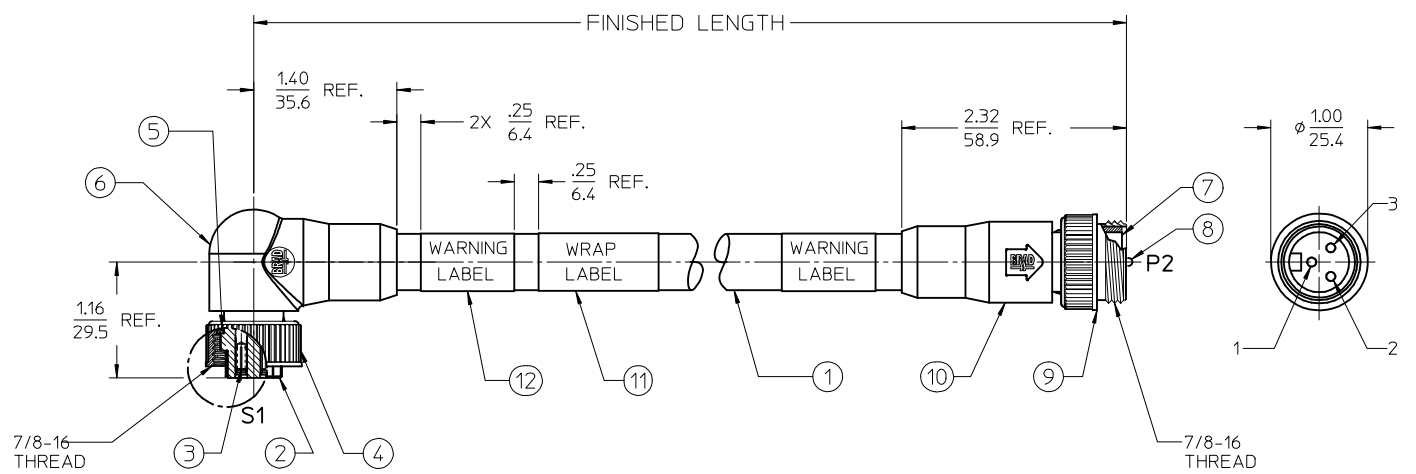
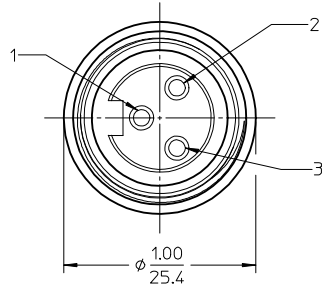


WIRING DIAGRAM



NOTES:

- 1) MATERIAL: SEE TABLE
- 2) FINISHES: SEE TABLE
- 3) WRAP LABEL IS MARKED WITH P/N, DATE CODE VOLTAGE & AMPERAGE
- 4) MATES WITH: MINI CHANGE 3 POLE RECEPTACLE
- 5) ELECTRICAL DATA:
 14AWG UL TYPE: TC-ER STRANDED CABLE
 MAX VOLTAGE: 600V
 MAX CURRENT: 15A
 PROTECTION IP67 (WHEN MATED)
 TEMPERATURE RANGE: -20°C TO 90°C
- 6) PACKAGING:
 CABLE ASSEMBLIES ARE BAGGED SEPERATLY IN POLY BAGS WITH BAR CODE LABEL ATTACHED TO OUTSIDE OF BAG.
- 7) ASSEMBLY IS RoHS COMPLIANT



FACE VIEW FEMALE
SCALE: 2X

PART NUMBER LEGEND

113031K20MXXXE

- MC 3P FEM 90D TO MALE STRAIGHT (EXT THD)
- CABLE TYPE: 14 AWG TC ER, BLACK
- FINISHED LENGTH:
 M001= .1M
 M010= 1.0M
 M100= 10.0M
- OVERMOLD OPTION
 E= RED

12	2	WARNING LABEL	VINYL	ORANGE/BLACK
11	1	WRAP LABEL	VINYL	BLACK/YELLOW
10	1	STRAIGHT OVERMOLD	PVC	RED
9	1	MALE COUPLING NUT	ZINC ALLOY	BLACK
8	3	CONTACT PIN	Cu ALLOY	GOLD PLATE
7	1	MALE INSERT	PVC	BLACK
6	1	90 DEG OVERMOLD	PVC	RED
5	1	FRICITION RING	NYLON	WHITE
4	1	FEMALE COUPLING NUT	ZINC ALLOY	BLACK
3	3	CONTACT SOCKET	Cu ALLOY	GOLD PLATE
2	1	FEMALE INSERT	PVC	BLACK
1	SEE NOTE 5	CABLE	TPE	BLACK
ITEM	QTY	DESCRIPTION	MATERIAL	FINISH

RELEASED	EC NO: IPG2016-0693	2015/11/10
DRWRSTONE	2015/11/20	
CHKDK JOZWIK	2015/12/04	
APPR: BWOODMAN		
DESCRIPTION		

QUALITY SYMBOLS	GENERAL TOLERANCES (UNLESS SPECIFIED)
▽=0	
▽=0	
	ANGULAR ± 1°
	DRAFT WHERE APPLICABLE MUST REMAIN WITHIN DIMENSIONS

DRAWN BY	DATE
RSTONE	2015/11/10
CHECKED BY	DATE
KJOZWIK	2015/11/20
APPROVED BY	DATE
BWOODMAN	2015/12/04
MATERIAL NO.	
	-

SCALE	DESIGN UNITS	THIRD ANGLE PROJECTION
1:1	INCH	
TITLE		
MINI CHANGE CABLE ASSY FEM 90 DEG TO MALE STR EXTERNAL THREAD, RED		
molex		
DOCUMENT NO.	SHEET NO.	
SD-130062-024	1 OF 1	
THIS DRAWING CONTAINS INFORMATION THAT IS PROPRIETARY TO MOLEX INCORPORATED AND SHOULD NOT BE USED WITHOUT WRITTEN PERMISSION		