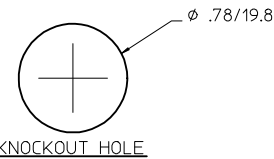
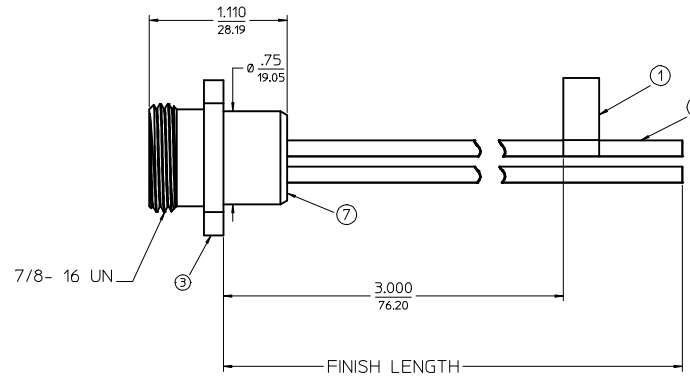
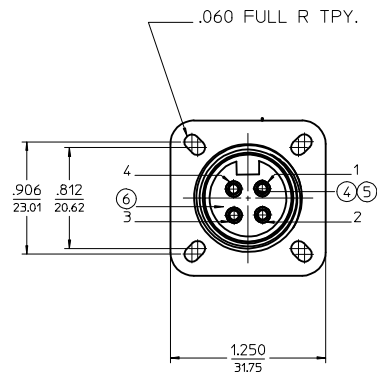
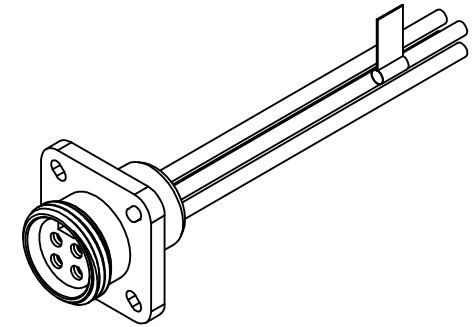


MATERIAL NUMBER	OLD PART NUMBER	FINISH LENGTH
130013-0403	1R4G04A20A1201	1.0'+.75"-0 [3M+19.1-0]

VOLTAGE RATING	600 VAC/VDC
AMPERAGE RATING	10A
PROJECTION	IP67
OPERATING TEMPERATURE	-20° C TO 105° C
UL CERTIFICATIONS	UL RECOGNIZED, FILE NO. E152210
CSA CERTIFICATIONS	CSA CERTIFIED, FILE NO. LR6837



#### WIRING DIAGRAM

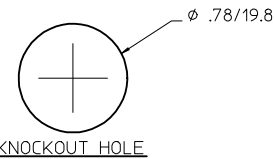
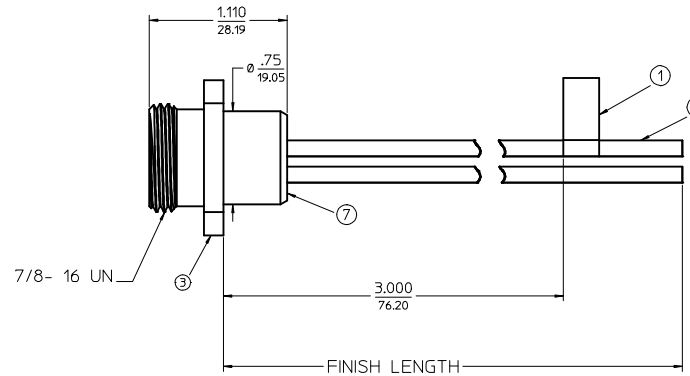
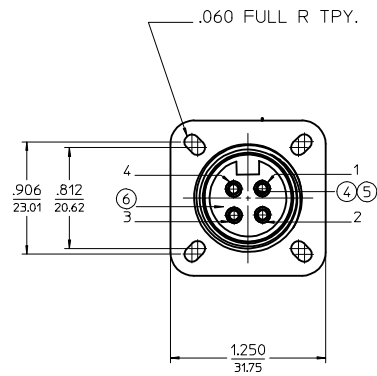
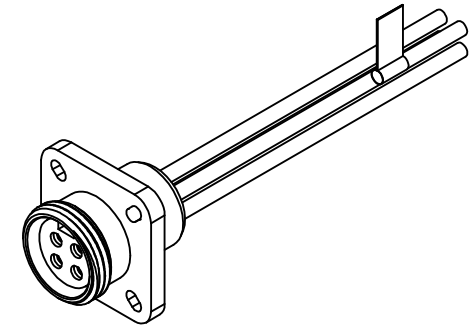
- 1 → BLACK
- 2 → WHITE
- 3 → RED
- 4 → GREEN-YELLOW

ITEM.	QTY.	COMPONENT	MATERIAL	FINISH
1	1	FLAG LABEL	PLASTIC FILM	BLACK/YELLOW
2	4	CONDUCTOR-16 AWG, 26X#30 COPPER STRANDING 600V	PVC	SEE WIRING DIAGRAM
3	1	RECEPTACLE SHELL	STAINLESS STEEL	PASSIVATED
4	4	SOCKET SLEEVE	STAINLESS STEEL	
5	4	CONTACT SOCKET	COPPER ALLOY	GOLD PLATED
6	1	INSERT	PVC	YELLOW
7	1	POTTING	EPOXY	BLACK

<b>RELEASED</b> EC NO: WNA2010-0010 DRAWN: S.GARCIA 2009/07/02 CHECKED: B.WOODMAN APPR: J.MURPHY 2009/07/08 REV DESCRIPTION	QUALITY SYMBOLS	GENERAL TOLERANCES (UNLESS SPECIFIED)	DIMENSION STYLE	SCALE	DESIGN UNITS	THIRD ANGLE PROJECTION
	4 PLACES ±.--- ±.--- 3 PLACES ±.--- ±.005 2 PLACES ±0.013 ±.010 1 PLACE ±0.25 ±.--- ANGULAR ±1/2°	IN/MM 2:1 INCH	DATE S. GARCIA 2009/07/02 DATE B. WOODMAN 2009/07/02 DATE J. MURPHY	TITLE FR RECEPTACLE	MATERIAL NO. SEE CHART	DOCUMENT NO. SD-130013-009
DRAFT WHERE APPLICABLE MUST REMAIN WITHIN DIMENSIONS						
THIS DRAWING CONTAINS INFORMATION THAT IS PROPRIETARY TO MOLEX INCORPORATED AND SHOULD NOT BE USED WITHOUT WRITTEN PERMISSION						

MATERIAL NUMBER	OLD PART NUMBER	FINISH LENGTH
130013-0403	1R4G04A20A1201	1.0'+.75"-0 [3M+19.1-0]

VOLTAGE RATING	600 VAC/VDC
AMPERAGE RATING	10A
PROJECTION	IP67
OPERATING TEMPERATURE	-20° C TO 105° C
UL CERTIFICATIONS	UL RECOGNIZED, FILE NO. E152210
CSA CERTIFICATIONS	CSA CERTIFIED, FILE NO. LR6837



#### WIRING DIAGRAM

- 1 → BLACK
- 2 → WHITE
- 3 → RED
- 4 → GREEN-YELLOW

ITEM.	QTY.	COMPONENT	MATERIAL	FINISH
1	1	FLAG LABEL	PLASTIC FILM	BLACK/YELLOW
2	4	CONDUCTOR-16 AWG, 26X#30 COPPER STRANDING 600V	PVC	SEE WIRING DIAGRAM
3	1	RECEPTACLE SHELL	STAINLESS STEEL	PASSIVATED
4	4	SOCKET SLEEVE	STAINLESS STEEL	
5	4	CONTACT SOCKET	COPPER ALLOY	GOLD PLATED
6	1	INSERT	PVC	YELLOW
7	1	POTTING	EPOXY	BLACK

<b>RELEASED</b> EC NO: WNA2010-0010 DRAWN: S.GARCIA 2009/07/02 CHECKED: B.WOODMAN APPR: J.MURPHY 2009/07/08 REV DESCRIPTION	QUALITY SYMBOLS	GENERAL TOLERANCES (UNLESS SPECIFIED)	DIMENSION STYLE	SCALE	DESIGN UNITS	THIRD ANGLE PROJECTION
	4 PLACES ±.005 ±.005 3 PLACES ±.005 ±.005 2 PLACES ±0.013 ±.010 1 PLACE ±0.25 ±.010 ANGULAR ±1/2°	IN/MM INCH 2:1	INCH INCH	IN/MM INCH	2:1 INCH	INCH INCH
		DRAFT WHERE APPLICABLE MUST REMAIN WITHIN DIMENSIONS	DRAWN BY: S.GARCIA CHECKED BY: B.WOODMAN APPROVED BY: J.MURPHY	DATE: 2009/07/02 DATE: 2009/07/02 DATE:	TITLE: FR RECEPTACLE	
			MATERIAL NO. SEE CHART	DOCUMENT NO. SD-130013-009	MOLEX INCORPORATED SHEET NO. 1 OF 1	
			THIS DRAWING CONTAINS INFORMATION THAT IS PROPRIETARY TO MOLEX INCORPORATED AND SHOULD NOT BE USED WITHOUT WRITTEN PERMISSION			