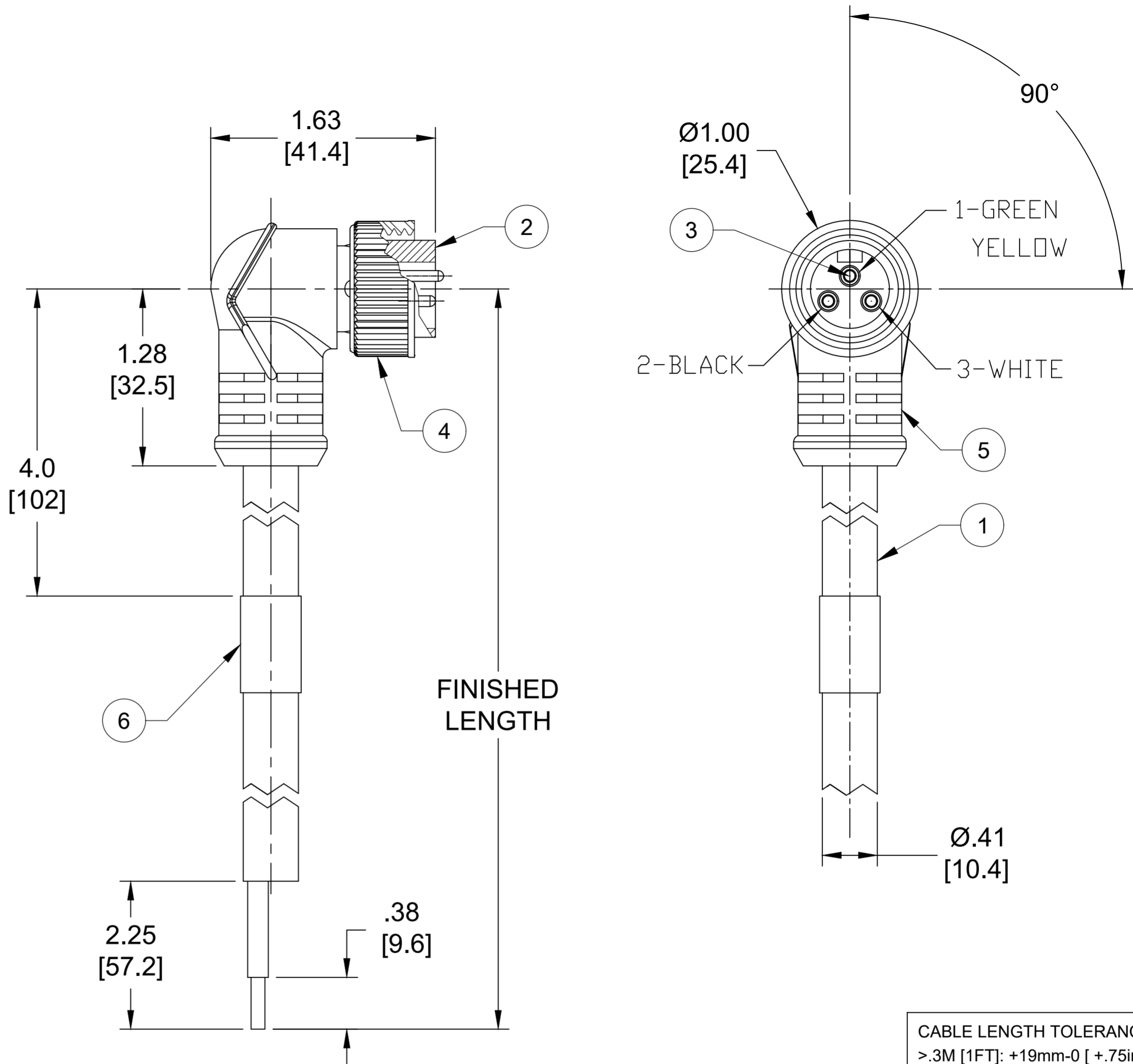
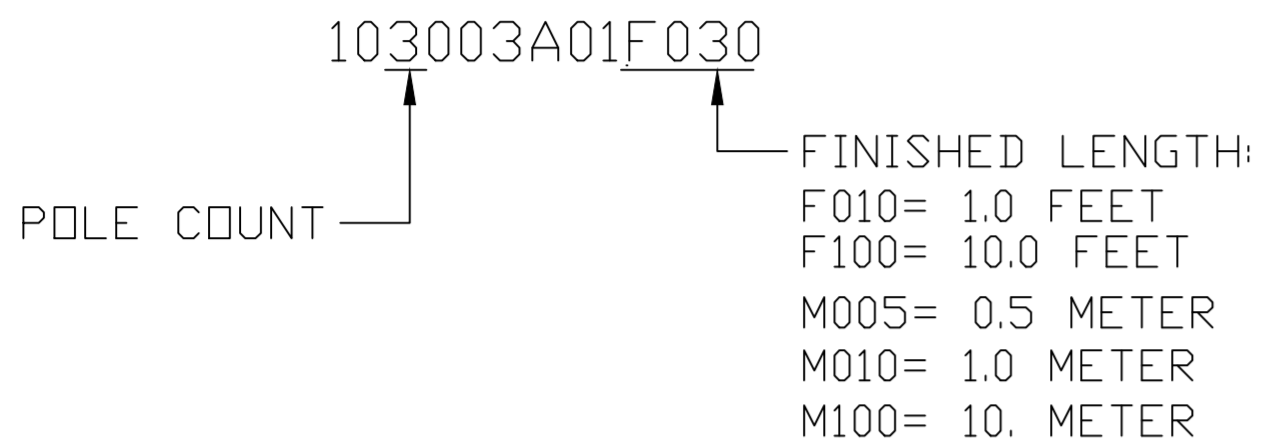


PART NO.	ENGINEERING NO.	FINISHED LENGTH
1300060643	103003A01F030	3.0FT [91.4M]
1300060647	103003A01F060	6.0FT [1.8M]
1300060657	103003A01F200	20.0FT [6.1M]

REF. THIS DRAWING SUPERSEDES SD-130006-035 REV-1 (A)

PART NUMBER LEGEND



- NOTES:**
1. MATERIAL: AS NOTED
 2. FINISH: AS NOTED
 3. ELECTRICAL:
VOLTAGE: 500V PER IEC60664
600V PER UL2238
CURRENT: 13A
 4. TEMP RATING: -20°TO +80°C
 5. PROTECTION: IP67 (WHEN MATED)
 6. COUPLING THREAD: 7/8-16UN
 7. UL RECOGNIZED FILE: E152210
CSA CERTIFIED FILE: LR6837
 8. ALL DIMS ARE FOR REFERENCE UNLESS TOLERANCED OR NOTED OTHERWISE

CABLE LENGTH TOLERANCES	
>.3M [1FT]:	+19mm-0 [+ .75in-0]
.3 - .9M [1 - 3FT]:	+44.5mm-0 [+1.75in-0]
.9 - 1.8M [3 - 6FT]:	+55.6mm-0 [+2.19in-0]
1.8 - 3.7M [6 - 12FT]:	+88.9mm-0 [+3.50in-0]
3.7 - 7.3M [12 - 24FT]:	+165.1mm-0 [+6.50in-0]
7.3-14.6M [24 - 48FT]:	+317.5mm-0 [+12.50in-0]
14.6 - 30.5M [48-100FT]:	+622.3mm-0 [+24.50in-0]
OVER 30M [100FT]	+2% OF FINISHED LENGTH

ITEM	DESCRIPTION	MATERIAL	FINISH
6	WRAP LABEL	VINYL	BLACK/YELLOW
5	OVERMOLD	TPE	YELLOW
4	COUPLING NUT, INT. THD	ZINC DIE-CAST	NICKEL PLATED
3	CONTACT PIN	COPPER ALLOY	GOLD PLATED
2	MALE INSERT	TPE	YELLOW
1	CABLE, 16/3, STOOW	PVC JACKET	YELLOW

SYMBOLS DIMENSION UNITS: INCH/MM SCALE: 1:1 CURRENT REV DESC: REDRAWN, WAS SD-130006-035				molex MINI CHANGE CABLE ASSY, 3P, MALE, 90 DEG 16AWG, STOOW, INTERNAL THREAD	
GENERAL TOLERANCES (UNLESS SPECIFIED)		EC NO: 624117 DRWN: RSTONE 2019/09/10 CHK'D: MZIELINSKI 2019/09/19 APPR: BWOODMAN 2019/10/03		PRODUCT CUSTOMER DRAWING	
4 PLACES ± .004 ± .004 3 PLACES ± .004 ± .004 2 PLACES ± .004 ± .004 1 PLACE ± .004 ± .004 0 PLACES ± .004 ± .004		INITIAL REVISION: DRWN: RSTONE 2019/09/10 APPR: BWOODMAN 2019/10/03		DOCUMENT NUMBER: 1300060643 DOC TYPE: PSD DOC PART: 000 REVISION: A	
ANGULAR TOL ± .004 ° DRAFT WHERE APPLICABLE MUST REMAIN WITHIN DIMENSIONS		THIRD ANGLE PROJECTION		DRAWING: C-SIZE SERIES: 130006 MATERIAL NUMBER: --- CUSTOMER: --- SHEET NUMBER: 1 OF 1	