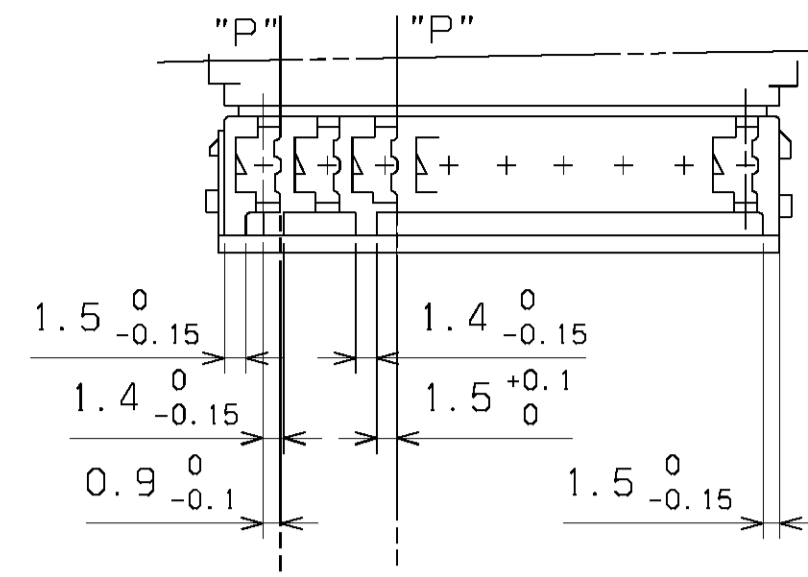
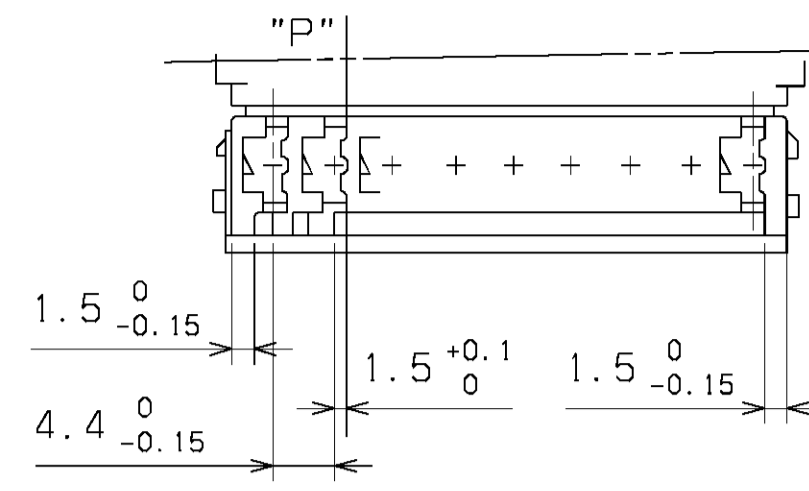


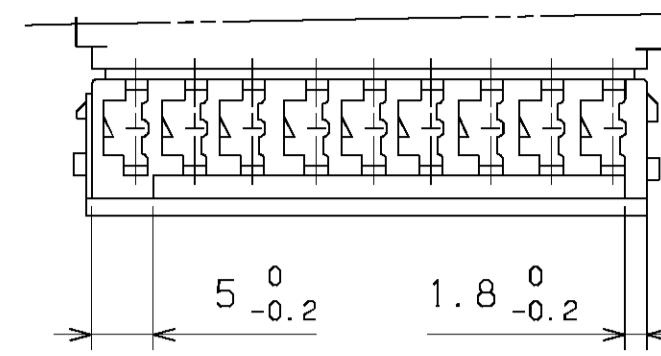
"P" = Plancher 0989361095



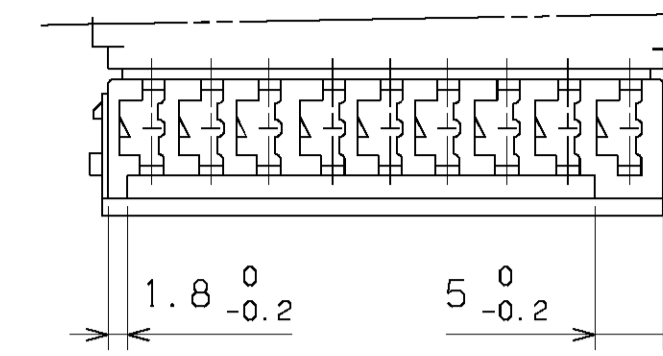
0989361094



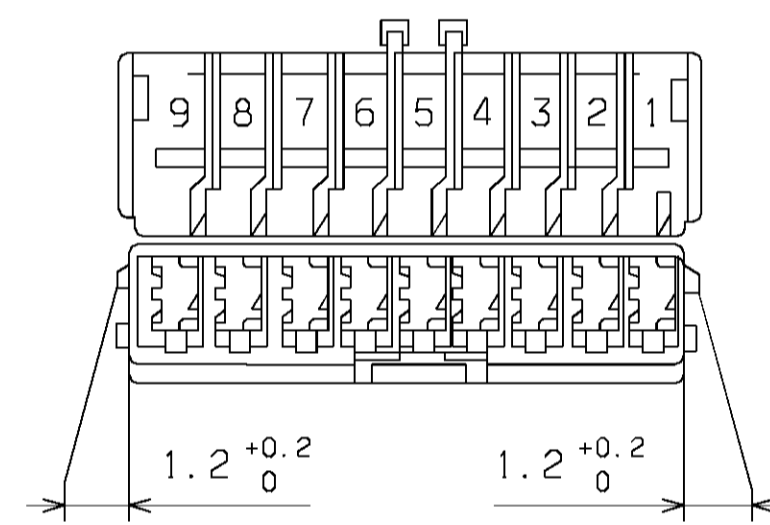
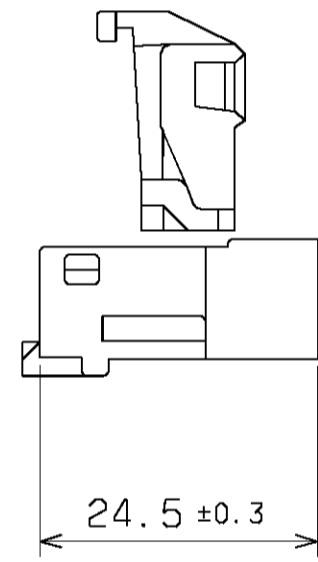
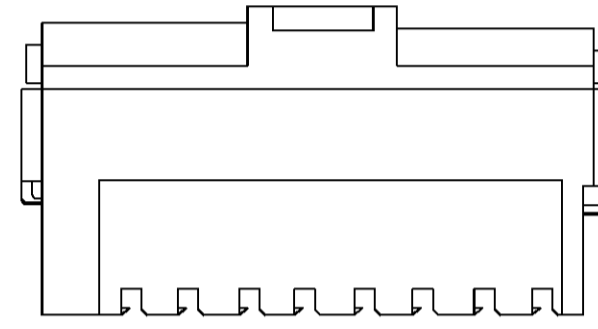
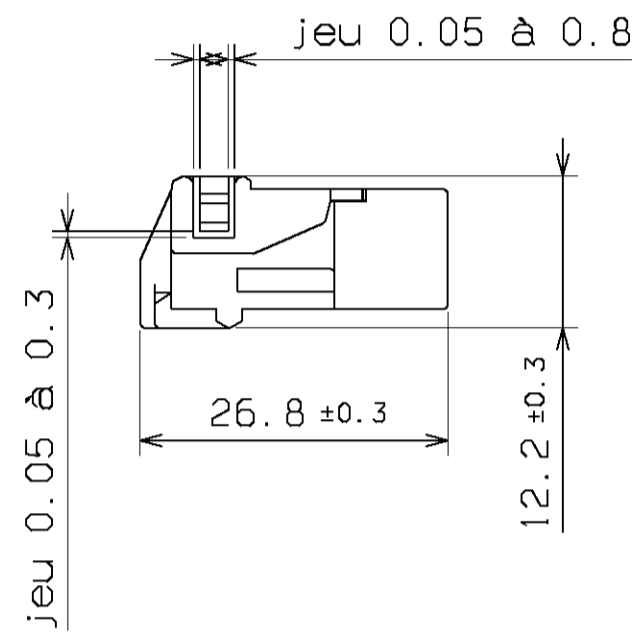
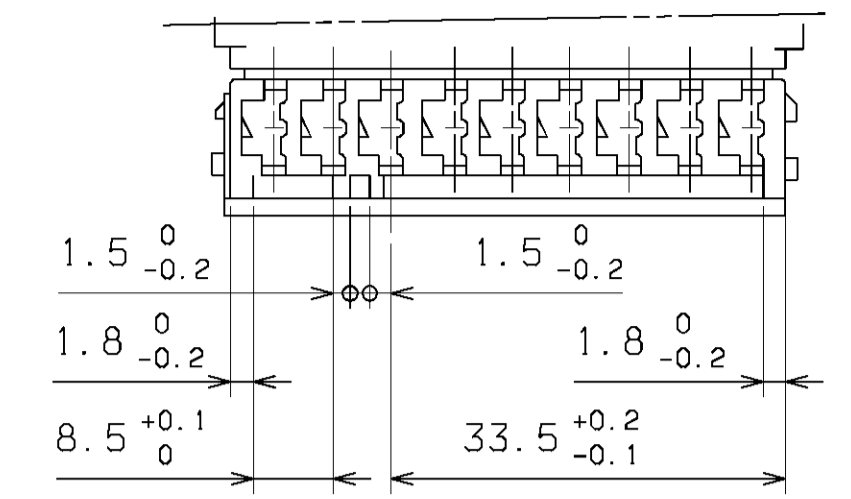
0989361099



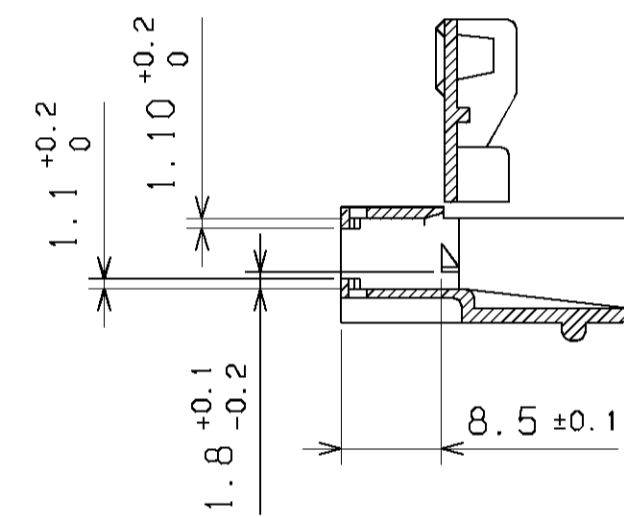
0989361090



0989361096

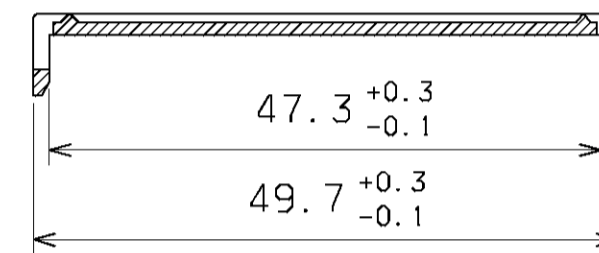


COUPE BB

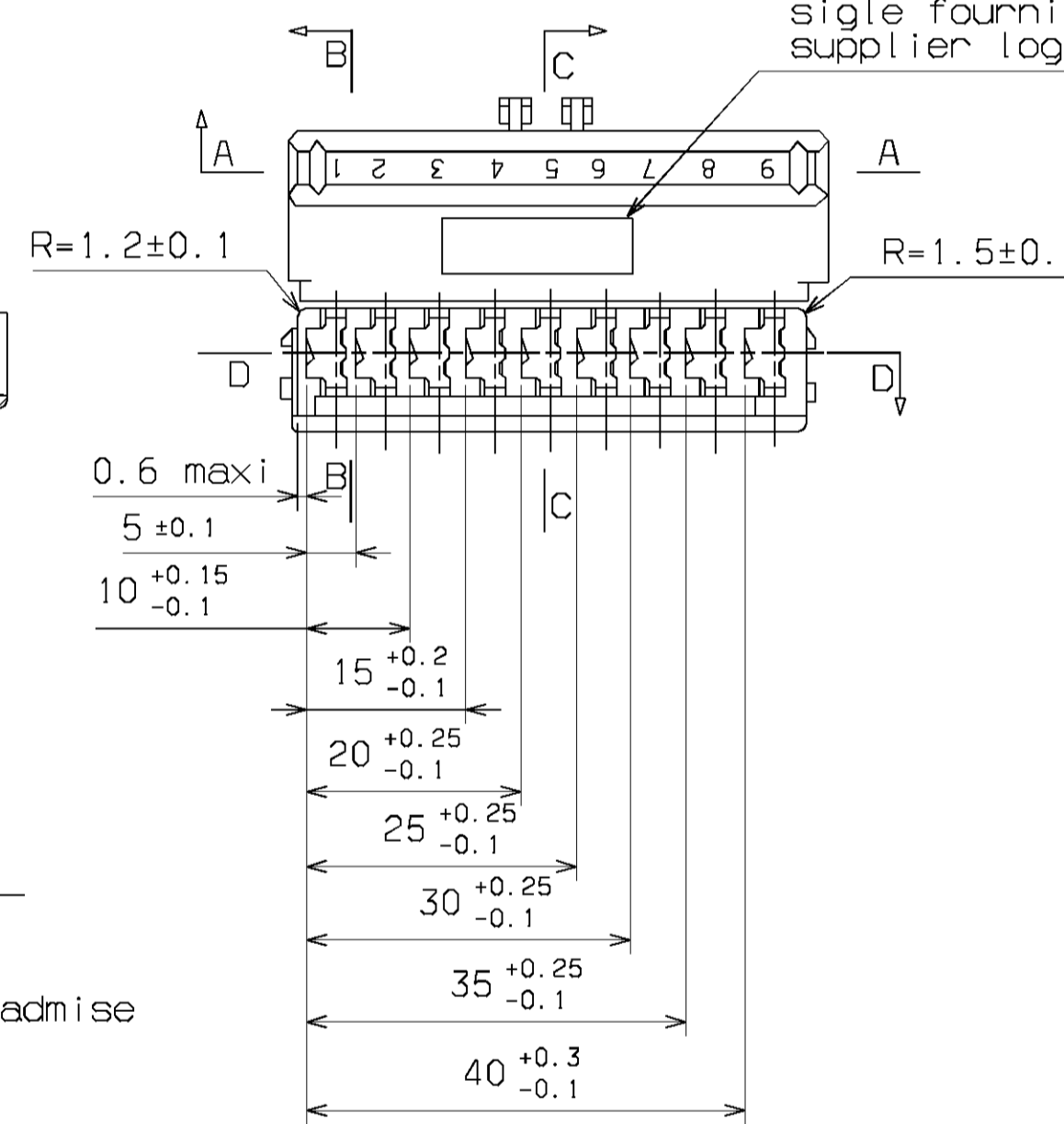


COUPE AA

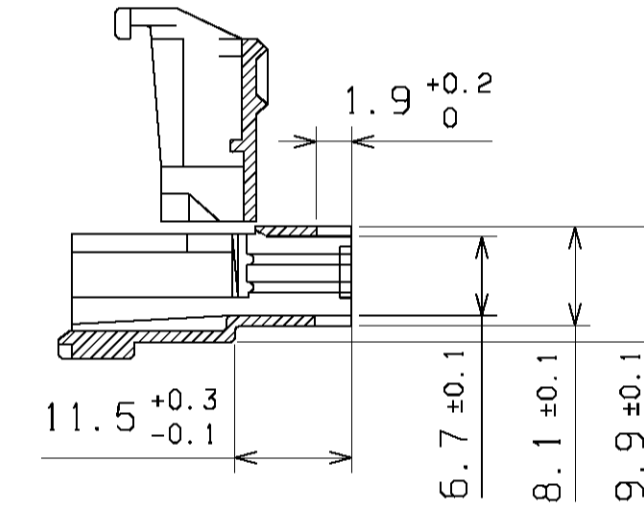
CLOISONS NON REPRESENTEES



sigle fournisseur
supplier logo

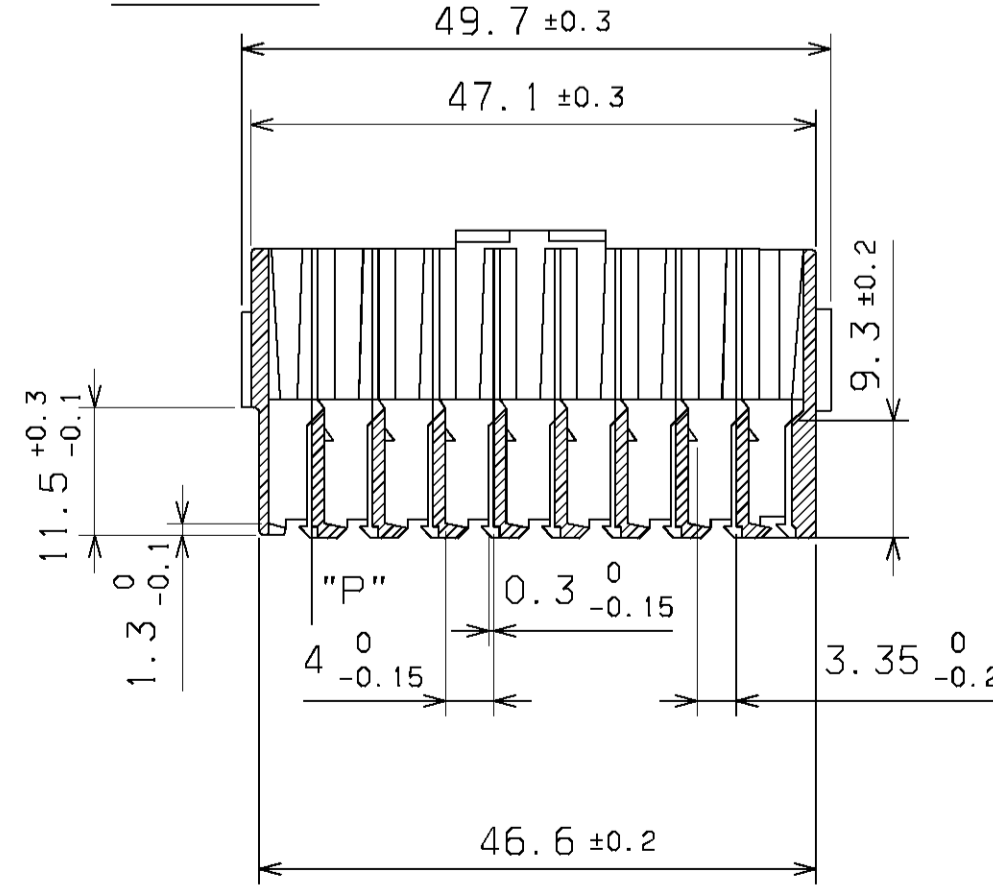


COUPE CC

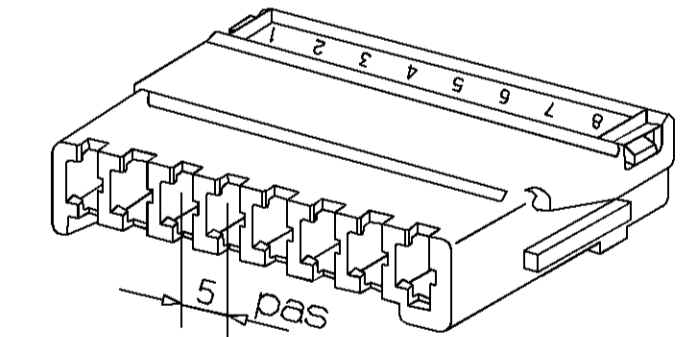


Autre version admise

COUPE DD



Référence	Couleur	Mat i ère/Mater ial
0989361096	BLEU	PA 6.6
0989361090	BLANC	PA 6.6
0989361099	MARRON	PA 6.6
0989361094	JAUNE	PA 6.6
0989361095	VERT	PA 6.6



NOTA: COTES A CONTROLER SUR PIECES EN ETAT STABILISE
A 2.5% ±0.5% DE TENEUR EN EAU
CONNEXIONS A EMPLOYER:

CAPACITE DES ALVEOLES		
SERTISSAGE	CONDUCTEUR section en mm ²	ISOLANT Øext. en mm
sur fil unitaire	3 ² maxi	4 maxi
SUR FILS JUMELÉS	juxtaposés	1 ² + 1.4 ²
	superposés	0.6 ² + 2 ²

0988901014 0988951014 0988952014	0.35 à 1mm ² (isolant réduit)
0988901011 0988903011 0988951011 0988952011	0.35 à 1mm ²
0988901012 0988903012 0988951012 0988952012	1 à 3mm ²

ENTER DESCRIPTION EC NO: G2006-0100 DRAWN: PBOUQUIN 2005/10/05 CH: KO: JDUCCLOS 2005/10/05 APPR: LSTICKEIR 2005/10/05	DESCRIPTION REV	GENERAL TOLERANCES (UNLESS SPECIFIED)		DIMENSION STYLE MM ONLY		SCALE 2:1	DESIGN UNITS METRIC	FIRST ANGLE PROJECTION	
		4 PLACES ± ± 3 PLACES ± ± 2 PLACES ± ± 1 PLACE ± ±	mm INCH	DRAWN BY HE	DATE 84/04/20	TITLE CSP5 RCPT HSG W/ CAP PA6/6 9CKT			
		ANGULAR ± °		CHECKED BY JLD	DATE 05/09/23	APPROVED BY LST			
		DRAFT WHERE APPLICABLE MUST REMAIN WITHIN DIMENSIONS		MATERIAL NO. SEE CHART	DOCUMENT NO. SD-98936-004	SHEET NO. 1 OF 1			
SIZE A1		THIS DRAWING CONTAINS INFORMATION THAT IS PROPRIETARY TO MOLEX INCORPORATED AND SHOULD NOT BE USED WITHOUT WRITTEN PERMISSION							

FROM DRAWING P/N 449...22... IND. D 96/05/02
D1 Change part numbers, supplier logo and drawing frame 05/09/23
Modif.