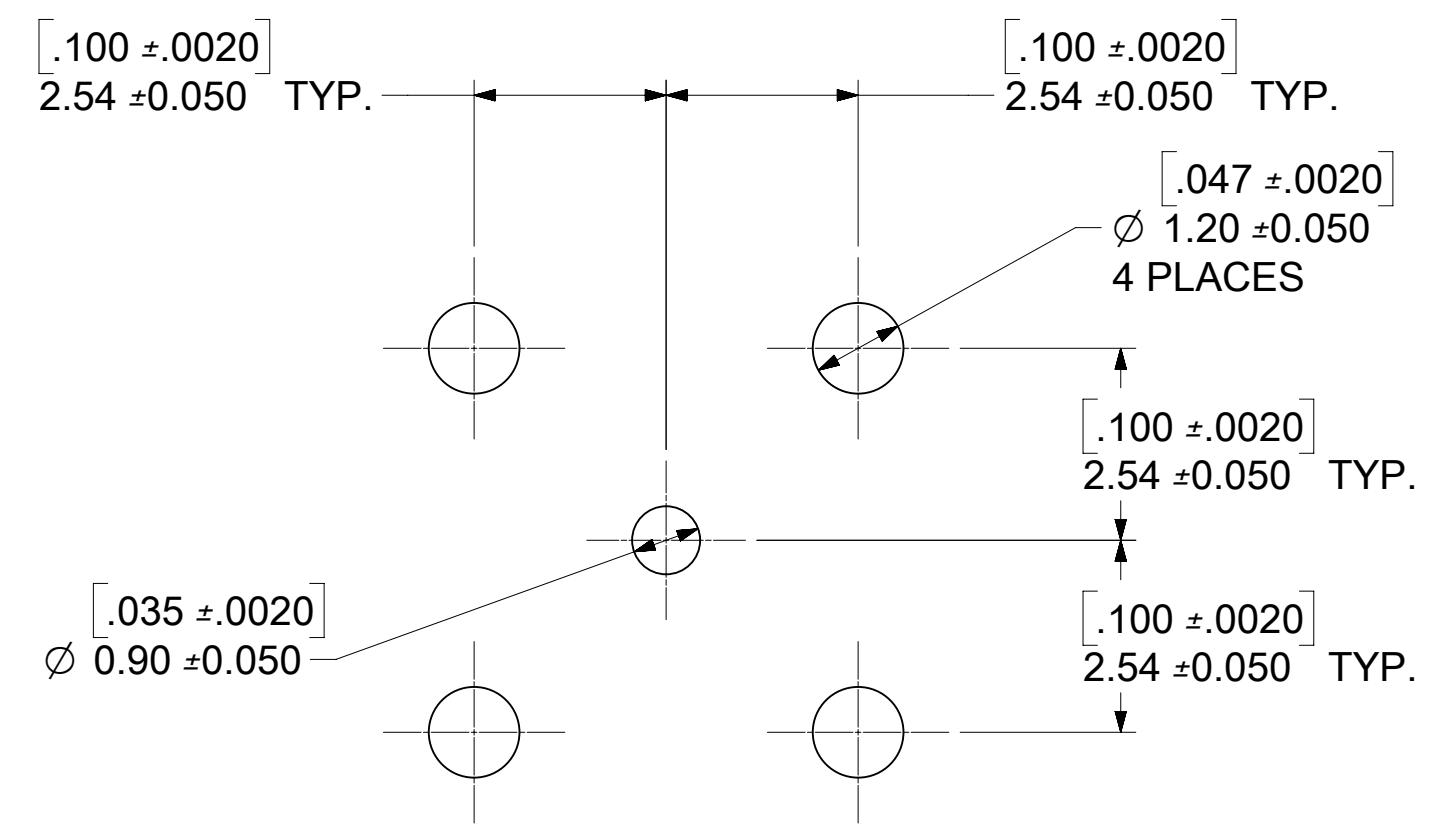
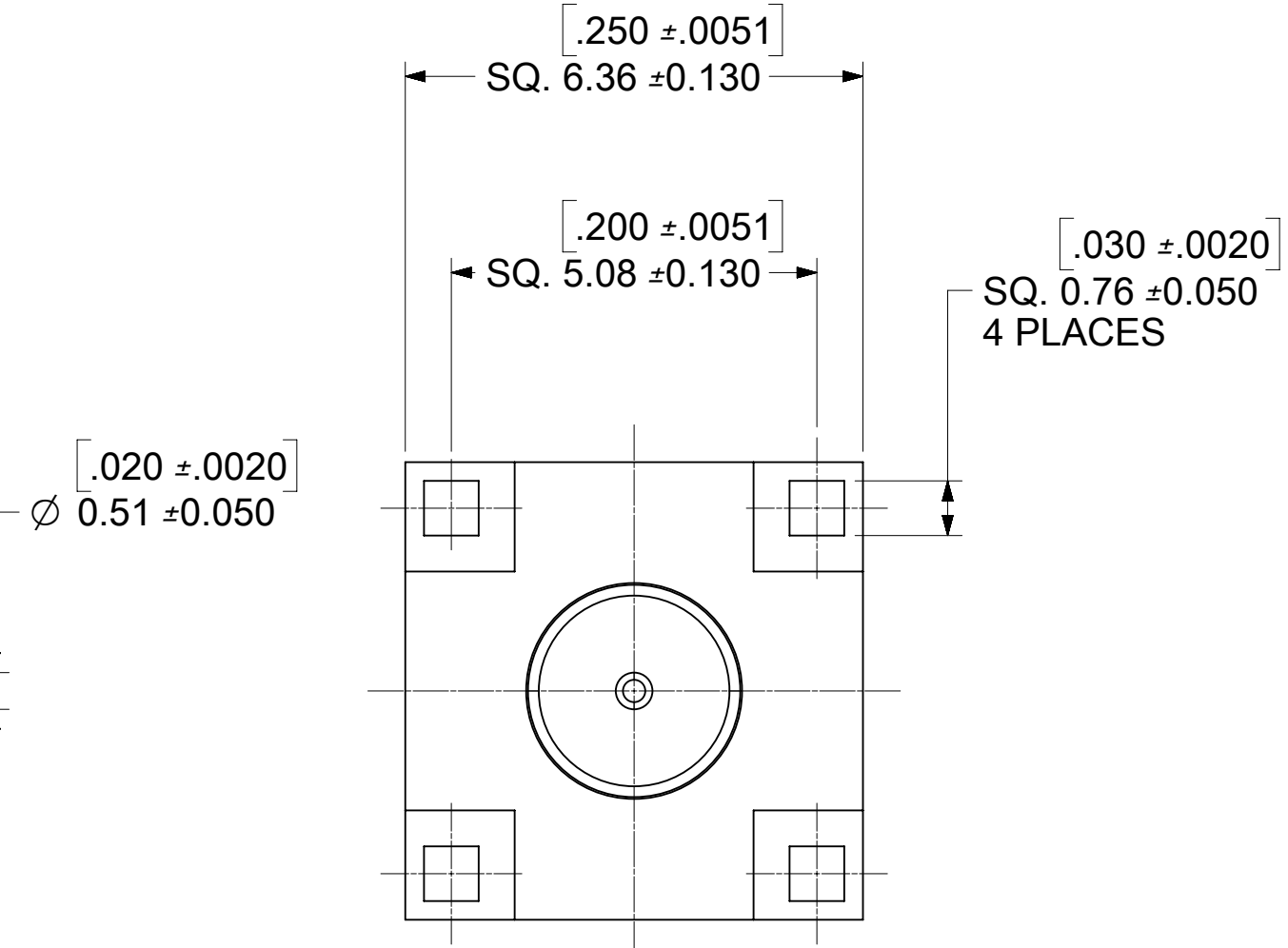
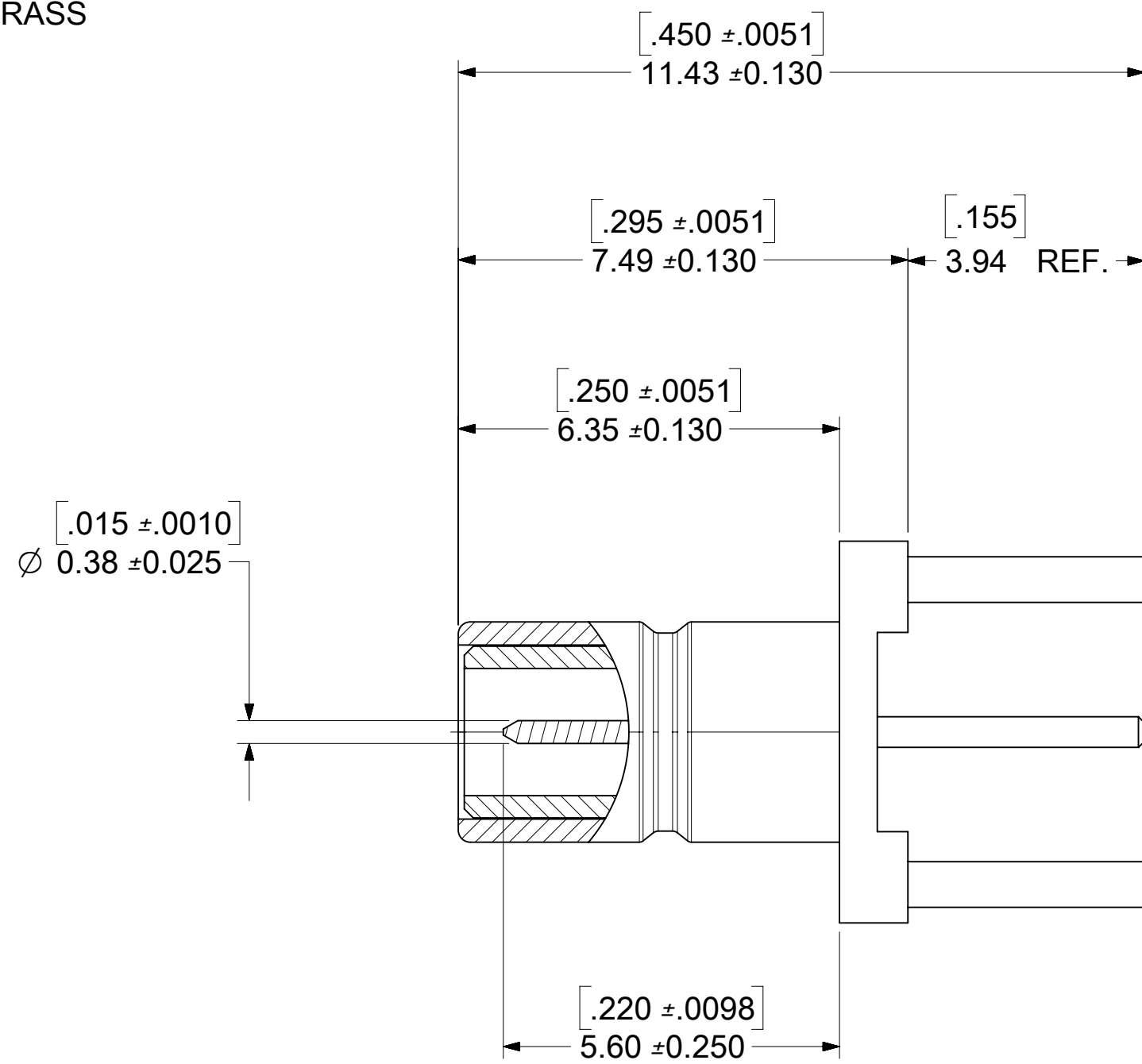
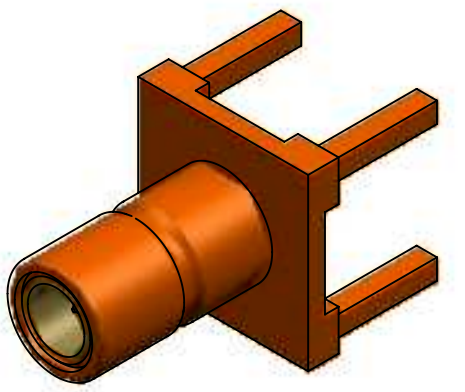


MATERIAL AND FINISHES

BODY, CENTER CONTACT: BRASS  
PLATED GOLD

INSULATOR: TEFLON

PACKAGING (SEE TABLE)



RECOMMENDED PCB MOUNTING HOLE

PS-89675-3540	PRODUCT SPECIFICATION
SPECIFICATION	DESCRIPTION

73404-3010	1 PIECE 73100-0258 IN SINGLE BAG WITH LABEL
73100-0258	TRAY
PART NO.	PACKAGING

2017/11/06	A4	MIGRATION TO NX AND ADDED DIM. PER RF17-E129
2015/11/09	A3	73100-0258 PACKAGE UPDATE TO FRAY RF15-E384
DATE	REV.	DESCRIPTION

RELEASE STATUS P1 RELEASE DATE 09.11.2017 01:59:51

QUALITY SYMBOLS	THIS DRAWING CONTAINS INFORMATION THAT IS PROPRIETARY TO MOLEX ELECTRONIC TECHNOLOGIES, LLC AND SHOULD NOT BE USED WITHOUT WRITTEN PERMISSION		DIMENSION UNITS HYBRID	SCALE 1:1	<b>molex</b>
	DRWN BY ELIN	DATE 2017/11/04			
GENERAL TOLERANCES (UNLESS SPECIFIED)	ANGULAR TOL ± 2.0 °		CHKD BY SSS	DATE 2011/03/31	SPECIAL 75 OHM SMB JACK VERTICAL PCB TH SMB-J/PCB
4 PLACES ±	3 PLACES ±	2 PLACES ±	1 PLACE ±	0 PLACES ±	
DRAFT WHERE APPLICABLE MUST REMAIN WITHIN DIMENSIONS	DRWING SIZE C	THIRD ANGLE PROJECTION	APPR BY MHUANG	DATE 2006/06/06	PRODUCT CUSTOMER DRAWING
EC NO: 16772	CHKD: YCHENG	DRWING SIZE: C	SERIES 73100	MATERIAL NUMBER	CUSTOMER GENERAL MARKET
A4	REV APPR: YCHENG	THIRD ANGLE PROJECTION	DOCUMENT NUMBER SD-73100-0258	DOC TYPE PSD	DOC PART 001
					SHEET NUMBER 1 OF 1

MATERIALS AND FINISHES

SEE SD-73100-0258

P/N: 73404-3010: THIS IS P/N: 73100-0258  
PLACED IN A SINGLE BAG

QUALITY SYMBOLS ▽ = 0 ▽ = 0 ▽ = 0 ▼ = 0 ▽ = 0 ☒ = 0 ■ = 0 ▽ = 0	THIS DRAWING CONTAINS INFORMATION THAT IS PROPRIETARY TO MOLEX ELECTRONIC TECHNOLOGIES, LLC AND SHOULD NOT BE USED WITHOUT WRITTEN PERMISSION									
	EC NO: 167722 DRWN: ELIN CHKD: REV / APPR: YCHENG	2017/11/07 2017/11/09	GENERAL TOLERANCES (UNLESS SPECIFIED)		DIMENSION UNITS	SCALE	<b>molex</b> SPECIAL 75 OHM SMB JACK VERTICAL PCB TH SMB-J/PCB, EWR-4676			
			ANGULAR TOL ± 2.0 °		HYBRID	1:1				
			4 PLACES ±	DRWN BY	DATE	PRODUCT CUSTOMER DRAWING				
			3 PLACES ±	AROBERTSON	2011/03/31					
			2 PLACES ±	CHKD BY	DATE	SERIES MATERIAL NUMBER CUSTOMER 73404 GENERAL MARKET				
	1 PLACE ±	SSS	2011/03/31							
	0 PLACES ±	APPR BY	DATE	DOCUMENT NUMBER DOC TYPE DOC PART SHEET NUMBER SD-73404-301 PSD 001 1 OF 1						
	DRAFT WHERE APPLICABLE MUST REMAIN WITHIN DIMENSIONS		DRAWING SIZE					THIRD ANGLE PROJECTION		
	A2	C								