

1 Scope

The present specifications shall apply to a RH1C.

2 Outline

Type	Silicon Diode	
Structure	Resin Molded	Flammability:UL94-V0(Equivalent)
Applications	High Frequency Rectification, etc.	

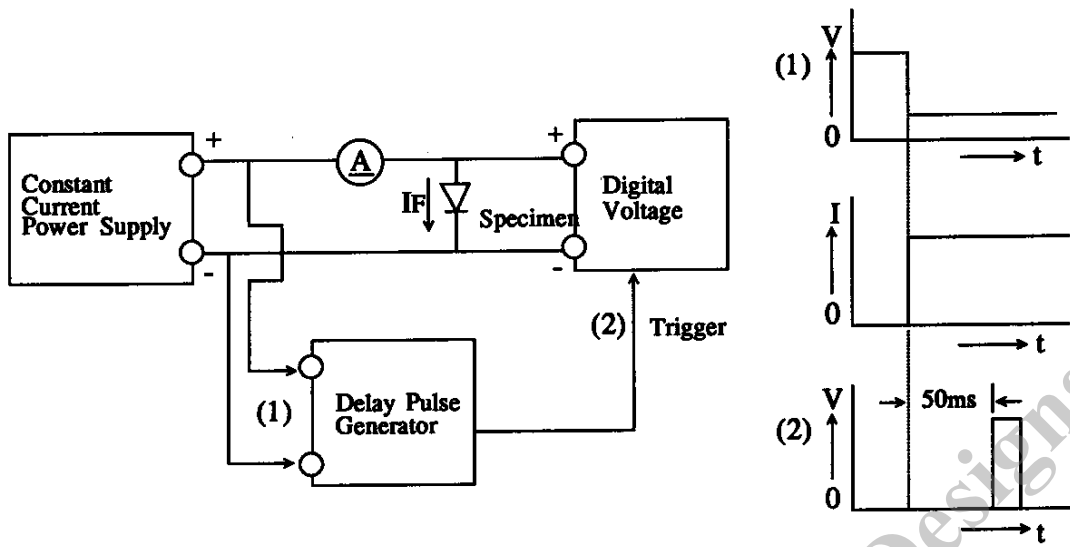
3 Absolute maximum ratings

No.	Item	Symbol	Unit	Rating	Conditions
1	Transient Peak Reverse Voltage	V_{RSM}	V	1000	
2	Peak Reverse Voltage	V_{RM}	V	1000	
3	Average Forward Current	$I_{F(AV)}$	A	0.6	Refer to derating curve in Section 6
4	Peak Surge Forward Current	I_{FSM}	A	35	10ms. Half sine wave, one shot
5	I^2t Limiting Value	I^2t	A^2s	6.125	$1\text{ ms} \leq t \leq 10\text{ ms}$
6	Junction Temperature	T_j	$^{\circ}C$	-40 to +150	
7	Storage Temperature	T_{stg}	$^{\circ}C$	-40 to +150	

4 Electrical characteristics ($T_a=25^{\circ}C$, unless otherwise specified)

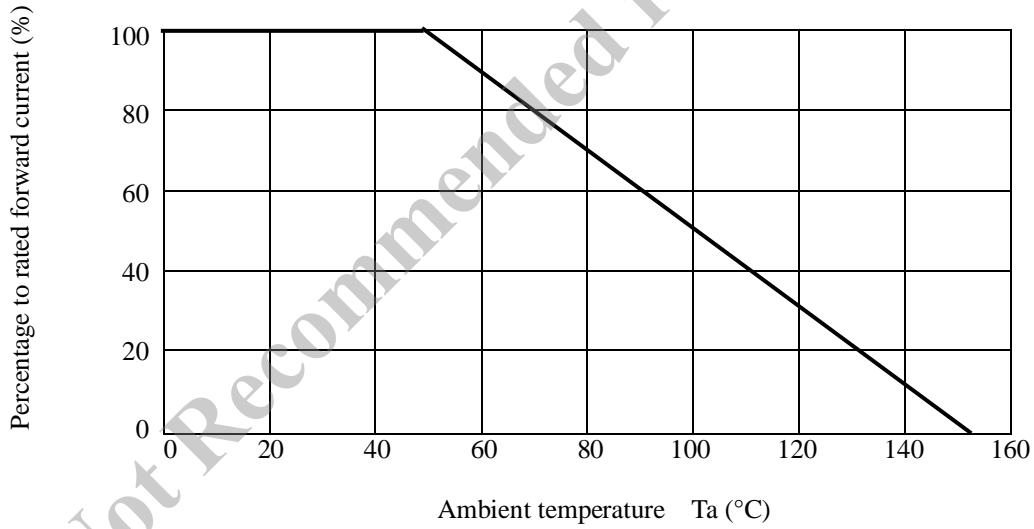
No.	Item	Symbol	Unit	Value	Conditions
1	Forward Voltage Drop	V_F	V	1.3 max.	$I_F=0.6A$
2	Reverse Leakage Current	I_R	μA	5 max.	$V_R=V_{RM}$
3	Reverse Leakage Current Under High Temperature	$H \cdot I_R$	μA	70 max.	$V_R=V_{RM}, T_a=100^{\circ}C$
4	Reverse Recovery Time	Trr-1	μs	4.0 max.	$I_F=I_{RP}=10mA$ 90% Recovery point, $T_j=25^{\circ}C$
		Trr-2	μs	1.3 max.	$I_F=100mA, I_R=200mA$ 75% Recovery point, $T_j=25^{\circ}C$
5	Thermal Resistance	$R_{th(j-l)}$	$^{\circ}C/W$	15 max.	Between Junction and Lead

5 V_F test and test circuit



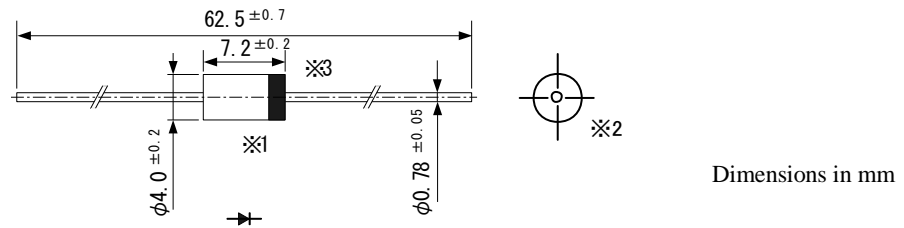
6 Derating

Derating to the ambient temperature.
Power loss generated by voltage is not taken into consideration.



7 Package information

7-1 Package type, physical dimensions and material



*1 The allowance position of Body against the center of whole lead wire is 0.5mm (max.)

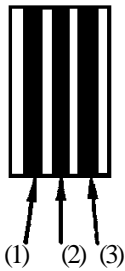
*2 The centric allowance of lead wire against center of physical body is 0.3mm (max.)

*3 The burr may exit up to 2mm from the body of lead

7-2 Appearance

The body shall be clean and shall not bear any stain, rust or flaw.

7-3 Marking



(1) Polarity indication (Cathode Band)

(2) Marking Type number RH1C

(3) Lot number 1

First digit : Last digit of year

Second digit : Month

From 1 to 9 for Jan. to Sep. O for Oct., N for Nov., and D for Dec.

Lot number 2 (ten days)

· Top of the month

·· Middle of month

··· End of month

The Type number and Lot number are to be marked in yellow.

The marking on the case of a part, which is printed in two positions, should be legible in either of the two at least