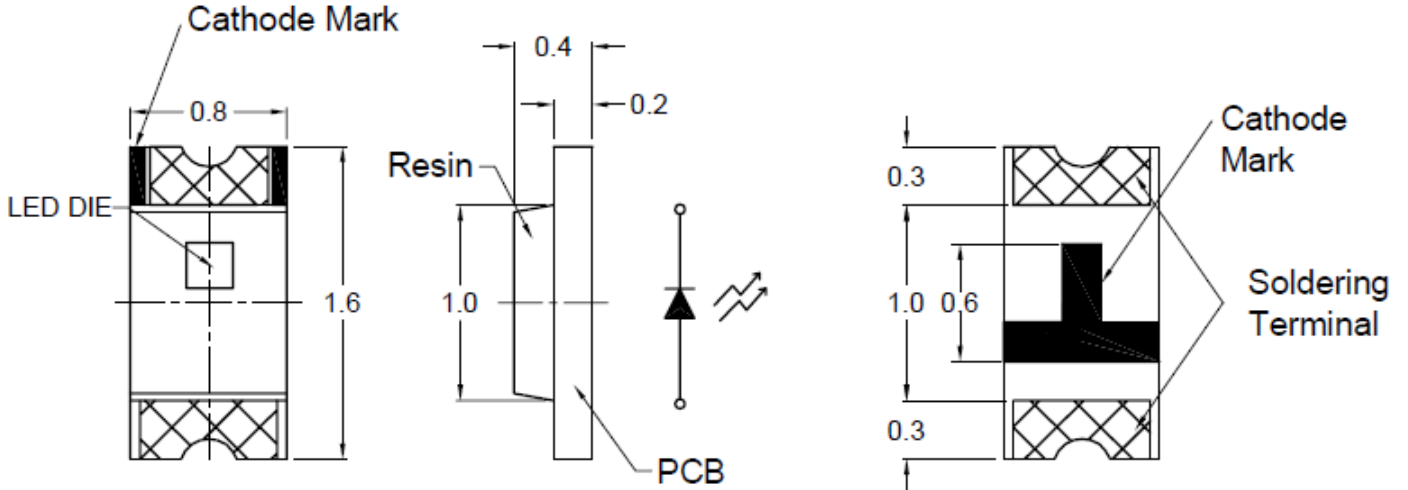
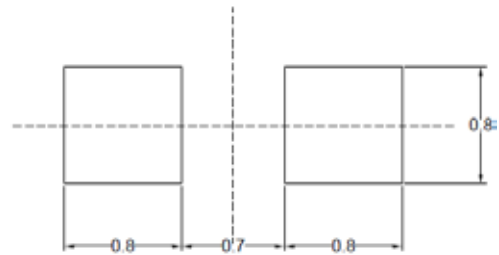


**SPECIFICATION** **CS63CUV405C**
**PACKAGE OUTLINES**

**Recommended Pad Layout**

**Notes:**

1. All dimensions are in millimeters (inches).
2. Tolerance is  $\pm 0.25\text{mm}$  (0.01") unless otherwise noted.
3. Specifications are subject to change without notice.

Part Number	Chip Material	Color of Emission	Lens Type	Viewing Angle
CS63CUV405C	InGaN	UV	Water Clear	150°



ChromeLED Corp. reserves the right to make changes at any time in order to supply the best product possible. The most current version of this document will always be available at: [www.chromeled.com](http://www.chromeled.com)

**ABSOLUTE MAXIMUM RATINGS**
**(TA=25°C)**

Parameter	Symbol	Max Rating	Unit
Forward Current	I <sub>F</sub>	30	mA
Reverse Current @ 5V	I <sub>R</sub>	10	μA
Power Dissipation	P <sub>d</sub>	111	mW
Operating Temperature Range	T <sub>OP</sub>	-40~+80	°C
Storage Temperature Range	T <sub>STG</sub>	-40~+85	°C
Peak Pulsing Current (1/10 duty f = 10KHz)	I <sub>FP</sub>	125	mA
Soldering Temperature	T <sub>SOL</sub>	Max 260°C for 5 sec Max	

**OPTICAL-ELECTRICAL CHARACTERISTICS**
**(TA=25°C)**

Parameter	Symbol	Test Condition	Value			Unit
			Min	Typ	Max	
Luminous Intensity	I <sub>v</sub>	I <sub>F</sub> = 20mA	1.0	4.2	-	mcd
Forward Voltage	V <sub>F</sub>	I <sub>F</sub> = 20mA	-	3.2	3.7	V
Reverse Leakage Current	I <sub>R</sub>	V <sub>R</sub> = 5V	-	-	10	μA
Viewing Angle at 50% I <sub>v</sub>	2θ <sub>1/2</sub>	I <sub>F</sub> = 20mA	-	150	-	Deg
Wavelength at Peak Emission	λ <sub>P</sub>	I <sub>F</sub> = 20mA	-	405	-	nm

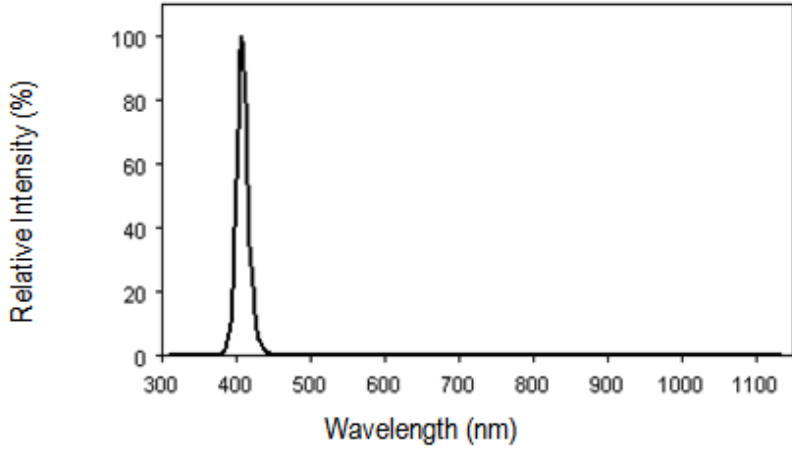
\*Tolerance of viewing angle: -10 / +5 deg.



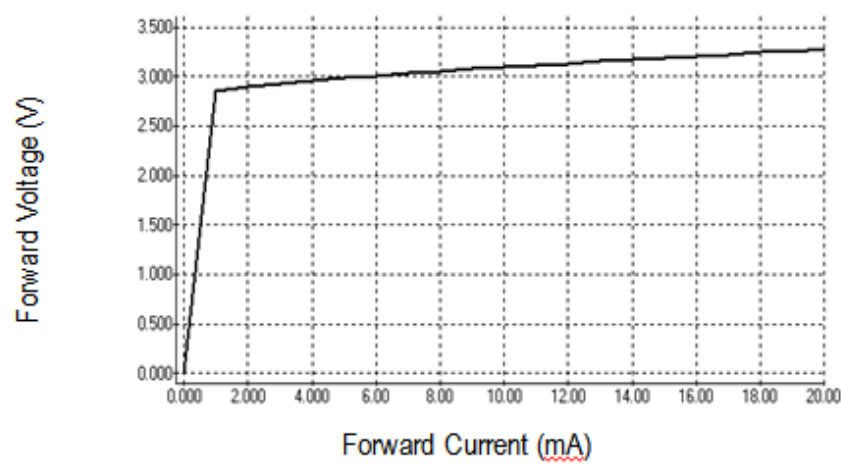
ChromeLED Corp. reserves the right to make changes at any time in order to supply the best product possible. The most current version of this document will always be available at: [www.chromeled.com](http://www.chromeled.com)

**OPTICAL CHARACTERISTIC CURVES**

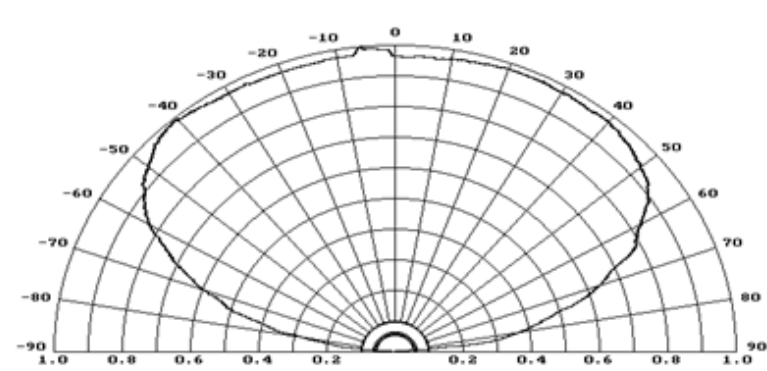
Relative Intensity vs. Wavelength



Forward Current vs. Forward Voltage



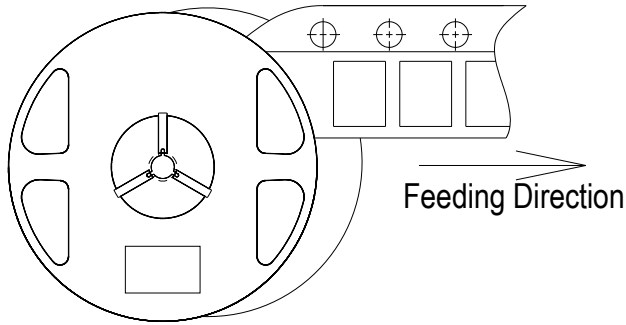
Directive Characteristics



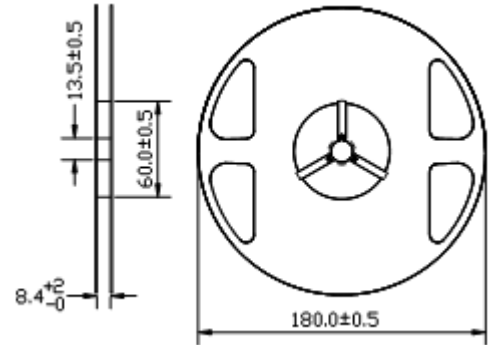
ChromeLED Corp. reserves the right to make changes at any time in order to supply the best product possible. The most current version of this document will always be available at: [www.chromeled.com](http://www.chromeled.com)

## PACKAGING SPECIFICATION

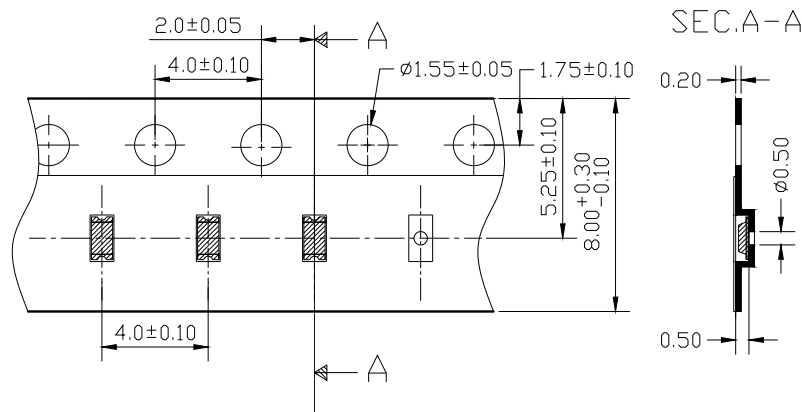
Feeding Direction



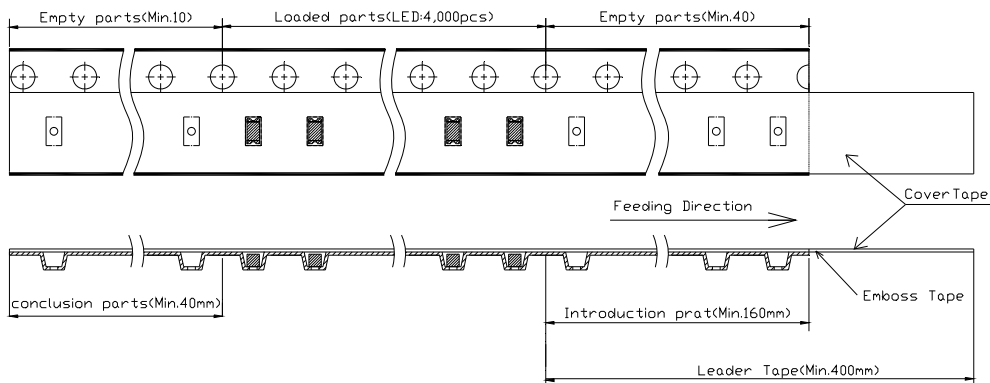
Dimensions of Reel (unit: mm)



Dimensions of Tape (unit: mm)



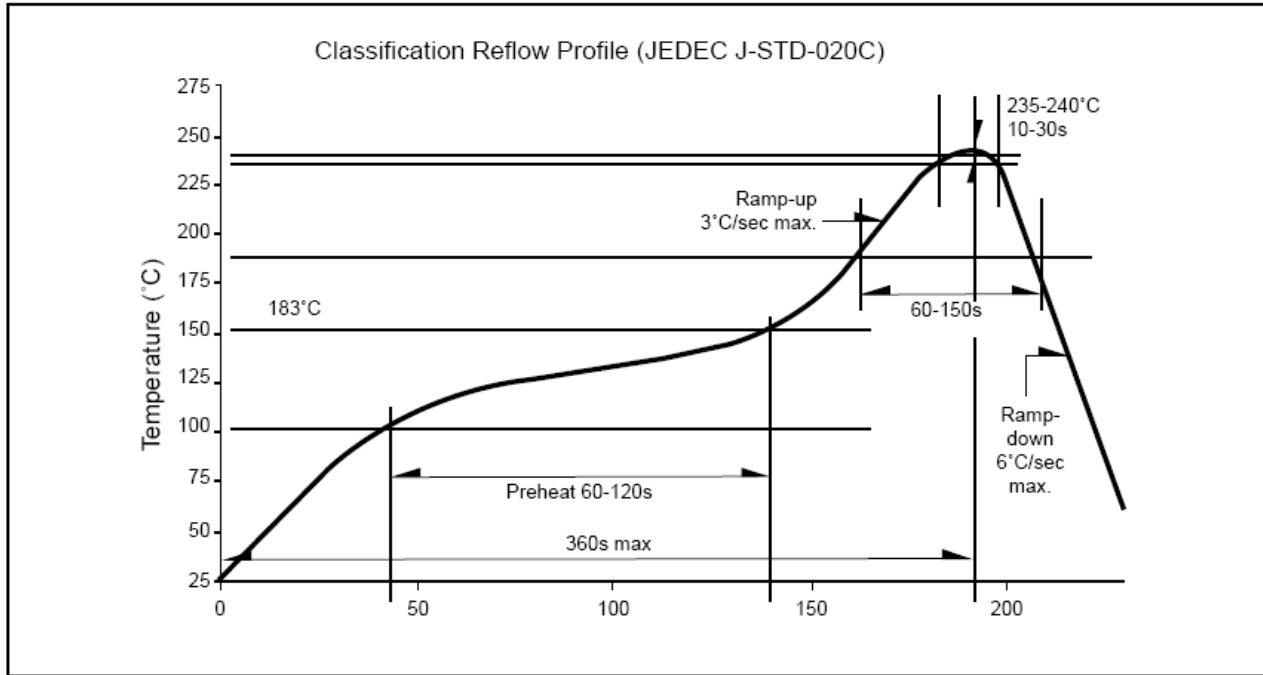
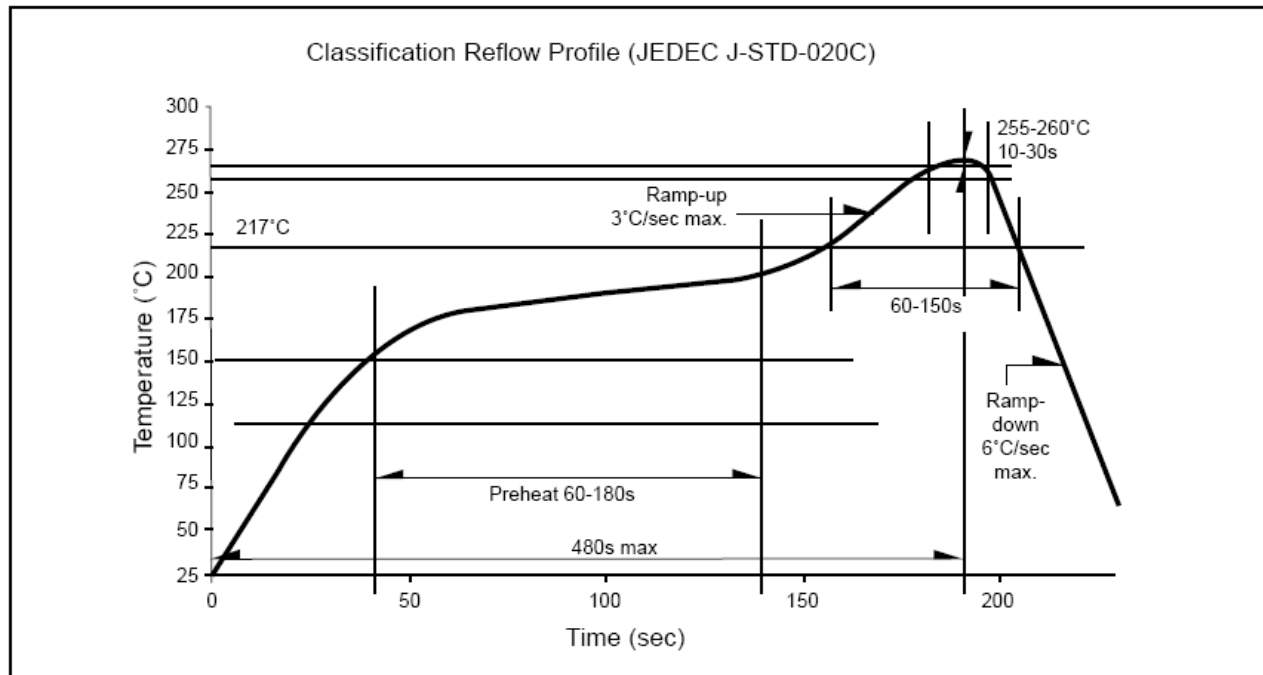
Arrangement of Tape



1. Empty component pockets are sealed with top cover tape
2. The maximum number of missing lamps is two
3. The cathode is oriented towards the tape sprocket hole
4. 4,000 pcs/Reel



ChromeLED Corp. reserves the right to make changes at any time in order to supply the best product possible. The most current version of this document will always be available at: [www.chromeled.com](http://www.chromeled.com)

**SOLDERING CONDITIONS**
**RECOMMENDED Sn-PB IR-Reflow Soldering Profile**

**RECOMMENDED Pb-Free Soldering Profile**


ChromeLED Corp. reserves the right to make changes at any time in order to supply the best product possible. The most current version of this document will always be available at: [www.chromeled.com](http://www.chromeled.com)