

M-FLEX ISOLATED CAN BRIDGE

M-Flex Isolated CAN Bridge is a two-channel CANbus bridge for interconnecting two CANbus networks with power isolation, and is built to withstand the harsh temperatures, shock and vibration, moisture and electrical transients that are common to these environments.



M-Flex CAN Bridge Modules are typically used for construction, agriculture and turf care equipment, utility and power sports vehicles, marine, military, outdoor power equipment and similar harsh environment applications.



FEATURES

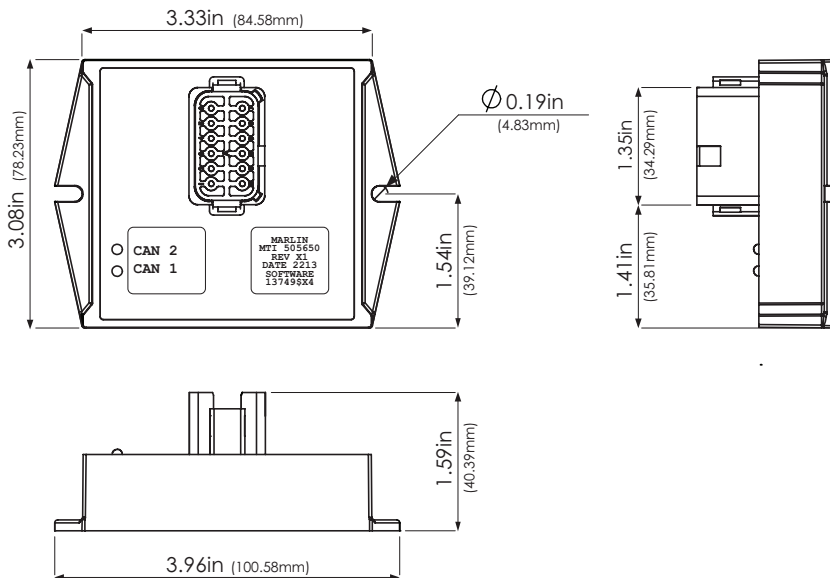
- Designed for severe duty, outdoor mobile applications.
- Two CANbus for bridging between two networks.
- Galvanic isolation between the 2 CAN network power supplies.
- Designed for 12V and 24 V applications.
- Operate as a bridge and node simultaneously.
- Each channel configurable for 250, 500, 1000 Kbps.
- Each channel has 40 filters to pass or block messages based on entire CAN ID, J1939, or J1939 Source Address.
- Two diagnostic LEDs for CAN bus power and communication status.
- Beacon indicator for identifying bridge module when multiple bridges used on a network
- Fully encapsulated electronics for complete environmental protection.
- Deutsch DT style connectors.
- IP67 rated and IP69K (with appropriate boot)
- RoHS compliant.
- User configurable software tool provided by Marlin.

SPECIFICATIONS

Specifications subject to change without notice. \ Revised 04.23

Supply Voltage	8-36VDC operating range, reverse polarity protected
Baud Rate	Auto detection for 250/500/1000 kbps
CAN Protocol	SAE J1939 CAN 2.0A and 2.0B compliant
CAN Channels	2 Channel bridge for connecting 2 CANbus networks
Connectors	Deutsch DT15-12PA
Mounting	(2) M6 or 1/4" screws (6.35mm screws)
Ingress Protection	IP67 rated and IP69K with appropriate boot)
Operating Temperature	-40C to 85C
Storage Temperature	-40C to 85C
Weight	5.5 oz
Packaging	3.0"W x 3.0"L x 0.87"H (76.2mm x 76.2mm x 22.1mm) Noryl enclosure with mounting tabs, fully encapsulated

DIMENSIONS



For a detailed specification visit
marlintech.com/m-flex

Marlin Technologies, Inc.
 101 Industrial Drive \ P.O. Box 123
 Horicon, WI 53032-1803
 920.485.4463 \ P
 920.485.2899 \ F

MARLINTECH.COM

Made in the USA with Imported Materials