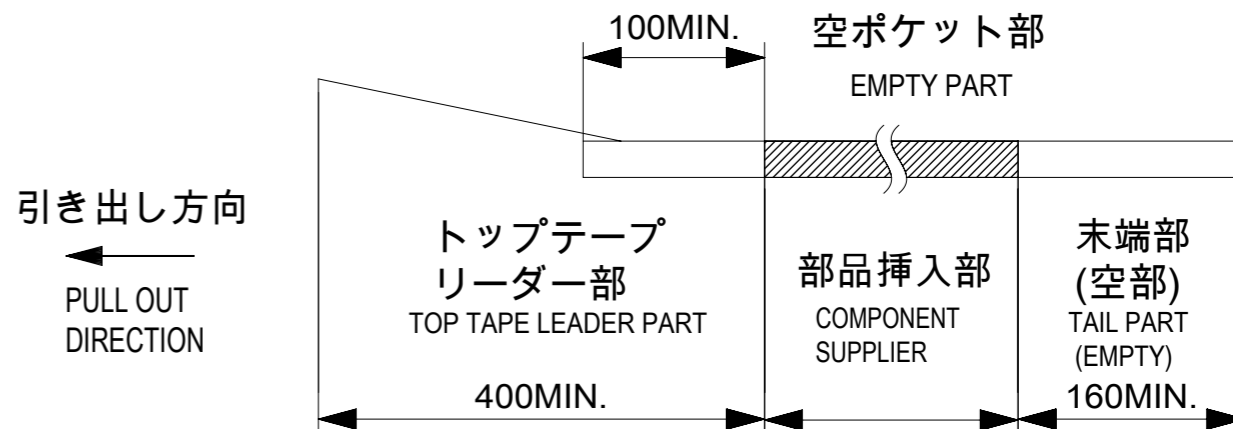


NOTES

- 梱包数量 : 1500個 / リール
NUMBER OF CONNECTORS : 1500 PCS/REEL.
- リードテープ長さ
LEAD TAPE LENGTH



- カバーテープの剥離強度については、IEC60286-3に準拠。
TOP TAPE PEEL FORCE IS DEFINED BY IEC 60286-3.
- 製品詳細寸法については、図面 2004851200を参照下さい。
FOR DIMENSIONS OF PRODUCT, REFER TO 2004851200
- 材料 MATERIAL
キャリアテープ : ポリスチレン
CARRIER TAPE : POLYSTYRENE
トップテープ : ポリエチレンテレフタレート、ポリエチレン
TOP TAPE : POLYETHYLENE TEREPHTHALATE, POLYETHYLENE
リール : ポリスチレン<リサイクル材を含む>
REEL: POLYSTYRENE RECYCLED MATERIAL CONTAINED
- ELV及びRoHS適合品 ELV AND RoHS COMPLIANT.

| | | | | | | |
|---|---------|------------------------|---------|-----------------------------|-----------------|--------------|
| THIS DRAWING CONTAINS INFORMATION THAT IS PROPRIETARY TO MOLEX ELECTRONIC TECHNOLOGIES, LLC AND SHOULD NOT BE USED WITHOUT WRITTEN PERMISSION | | CURRENT REV DESC: | | molex | | |
| DIMENSION UNITS | SCALE | | | | | |
| mm | NTS | | | EMB PKG ONE-TOUCH RA GND HT | | |
| GENERAL TOLERANCES (UNLESS SPECIFIED) | | | | PRODUCT CUSTOMER DRAWING | | |
| ANGULAR TOL | ± 1.0 ° | | | DOCUMENT NUMBER | | |
| 4 PLACES | ± 0.1 | EC NO: 648126 | | 2004850200 | | |
| 3 PLACES | ± 0.1 | DRWN: TYAMANE | | PSD | | |
| 2 PLACES | ± 0.1 | CHK'D: YMATSUMOTO | | 000 | | |
| 1 PLACE | ± 0.1 | APPR: SHOSHIKAWA | | B | | |
| 0 PLACES | ± 0.1 | INITIAL REVISION: | | REVISION | | |
| DRAFT WHERE APPLICABLE MUST REMAIN WITHIN DIMENSIONS | | THIRD ANGLE PROJECTION | DRAWING | SERIES | MATERIAL NUMBER | CUSTOMER |
| | | | A3-SIZE | 200485 | SEE TABLE | GENERAL |
| | | | | | | SHEET NUMBER |
| | | | | | | 1 OF 3 |

10

9

8

7

6

5

4

3

2

1

F

F

E

E

D

D

C

C

B

B

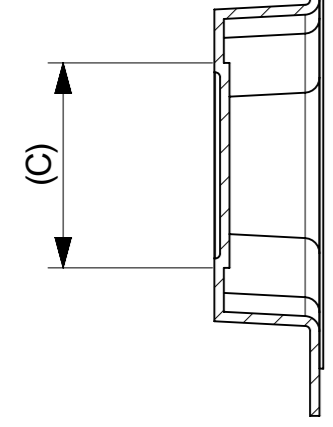
A

A

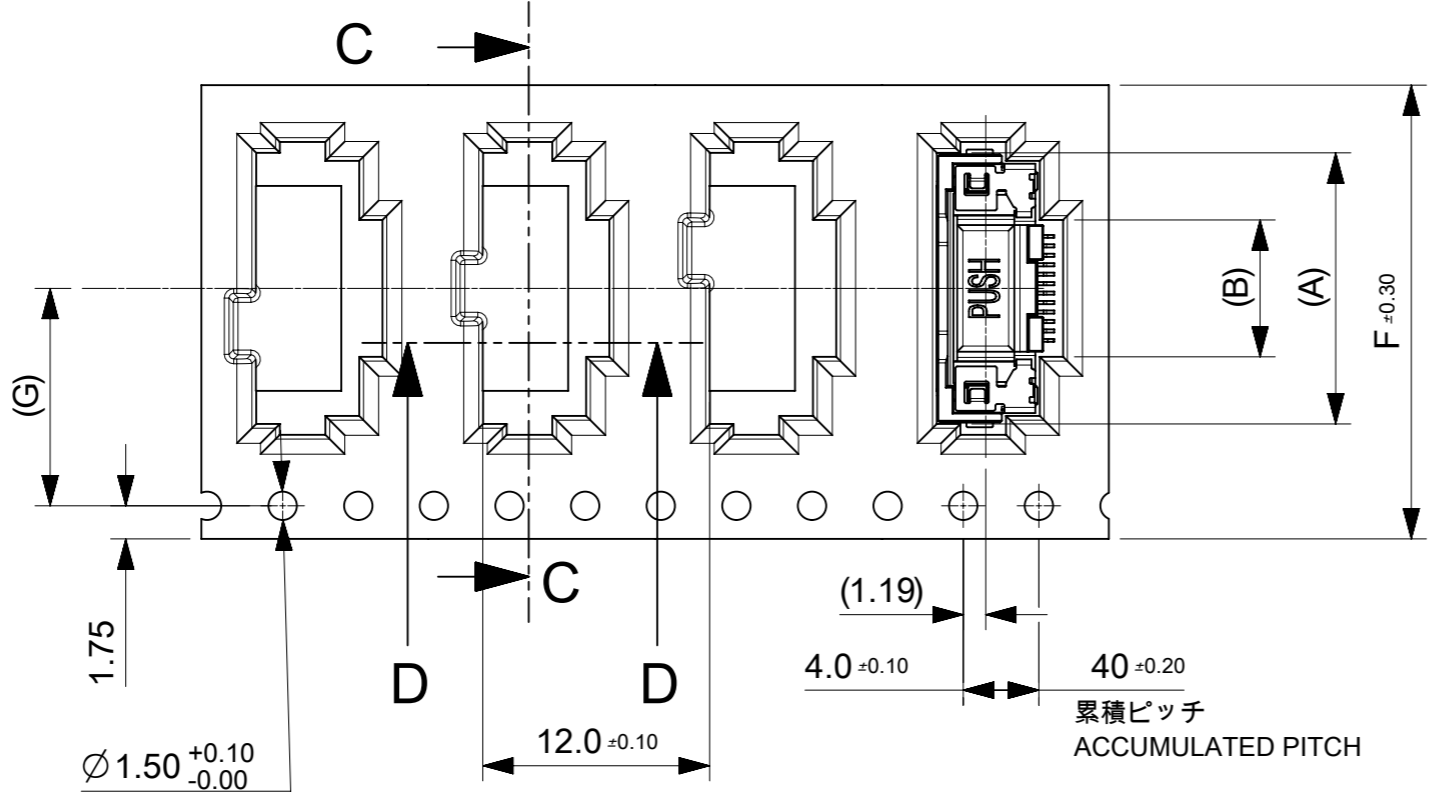
引き出し方向
PULL OUT
DIRECTION

TOP TAPE

C



SECTION C-C



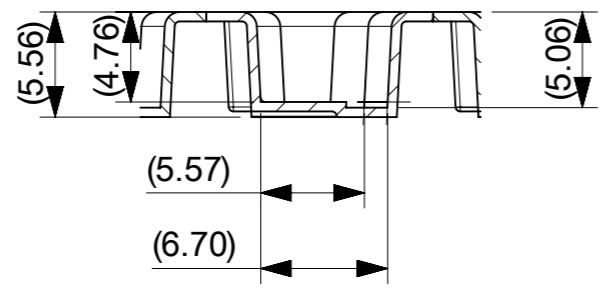
$\varnothing 1.50^{+0.10}_{-0.00}$

(1.19)

4.0 ± 0.10

40 ± 0.20

累積ピッチ
ACCUMULATED PITCH



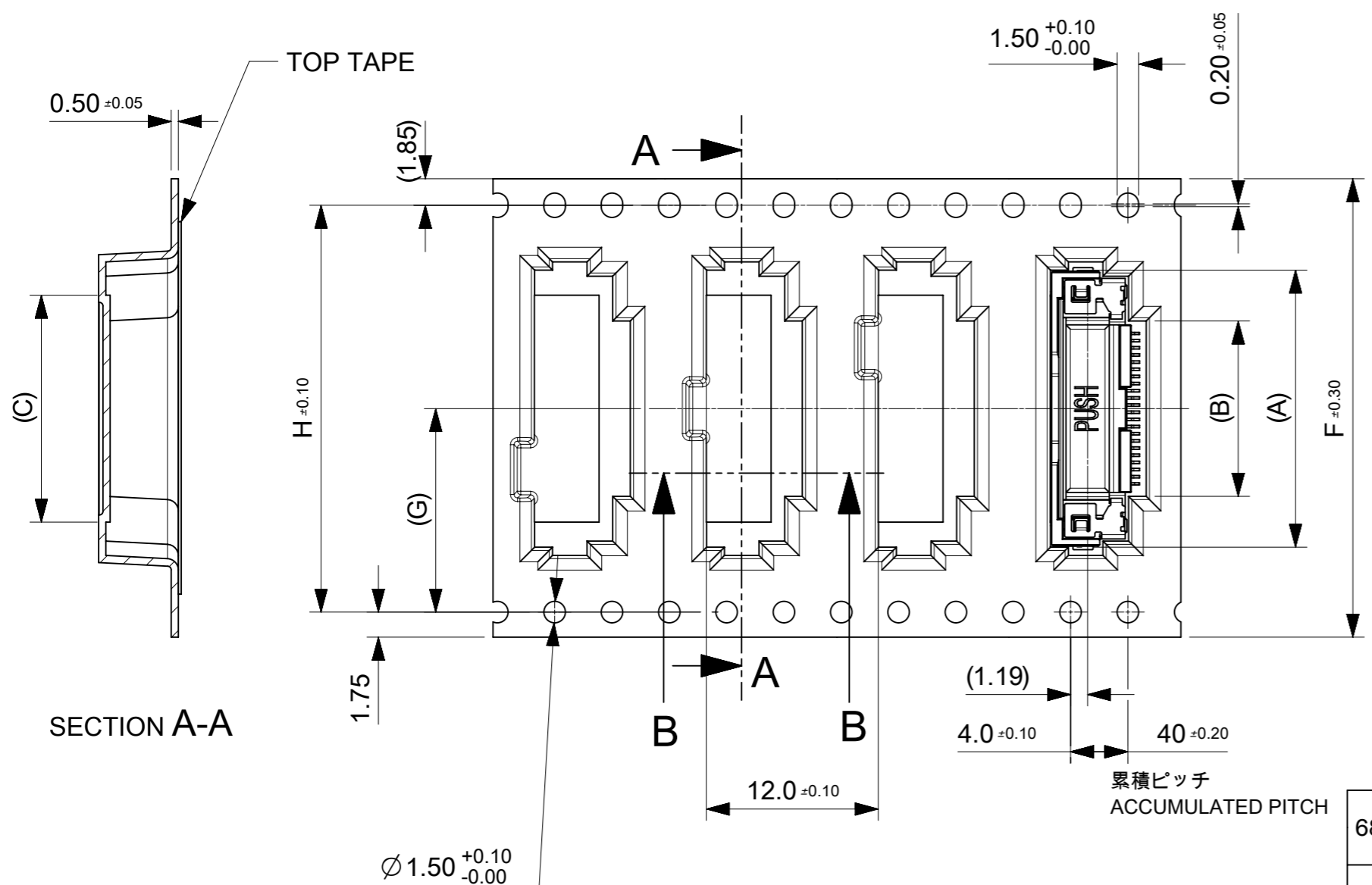
SECTION D-D

| | | | | | | | | |
|------|----|------|------|-------|------|-------|------------------|-----|
| 11.5 | 24 | 29.4 | 25.4 | 11.34 | 7.04 | 14.34 | 2004850210 | 10 |
| G | F | E | D | C | B | A | EMBOSSED PACKAGE | Ckt |
| | | | | | | | オーダー番号 ORDER NO. | |

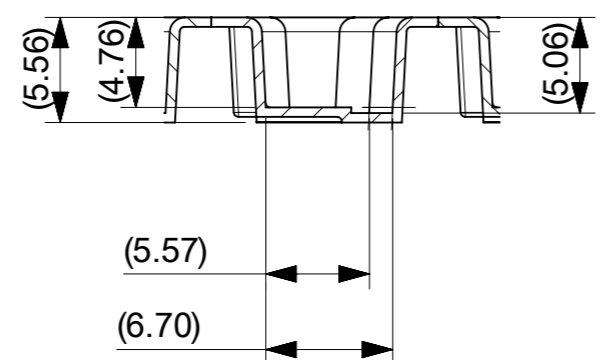
| | | | | | | | | | | | |
|---|--|----------------|--|--|--|-----------------------------|--|----------------|--|-----------------|----------|
| THIS DRAWING CONTAINS INFORMATION THAT IS PROPRIETARY TO MOLEX ELECTRONIC TECHNOLOGIES, LLC AND SHOULD NOT BE USED WITHOUT WRITTEN PERMISSION | | | | | | | | | | | |
| DIMENSION UNITS mm | | SCALE NTS | | CURRENT REV DESC: | | | | | | molex | |
| GENERAL TOLERANCES (UNLESS SPECIFIED) | | | | EC NO: 648126 DRWN: TYAMANE 2020/10/14 CHK'D: YMATSUMOTO 2020/10/30 APPR: SHOSHIKAWA 2020/11/02 | | | | | | | |
| ANGULAR TOL ± 1.0° | | | | PRODUCT CUSTOMER DRAWING | | | | | | DOCUMENT NUMBER | |
| 4 PLACES ± 0.1 | | 3 PLACES ± 0.1 | | 2 PLACES ± 0.1 | | 1 PLACE ± 0.1 | | 0 PLACES ± 0.1 | | 2004850200 | |
| INITIAL REVISION: | | | | DRWN: TYAMANE 2018/10/04 | | APPR: SHOSHIKAWA 2020/06/08 | | DOC TYPE | | DOC PART | REVISION |
| DRAFT WHERE APPLICABLE MUST REMAIN WITHIN DIMENSIONS | | | | THIRD ANGLE PROJECTION | | DRAWING | | SERIES | | MATERIAL NUMBER | |
| | | | | A3-SIZE | | 200485 | | CUSTOMER | | SHEET NUMBER | |
| | | | | | | SEE TABLE | | GENERAL | | 2 OF 3 | |

CONNECTOR NO. 20048512**

引き出し方向
PULL OUT
DIRECTION



SECTION A-A



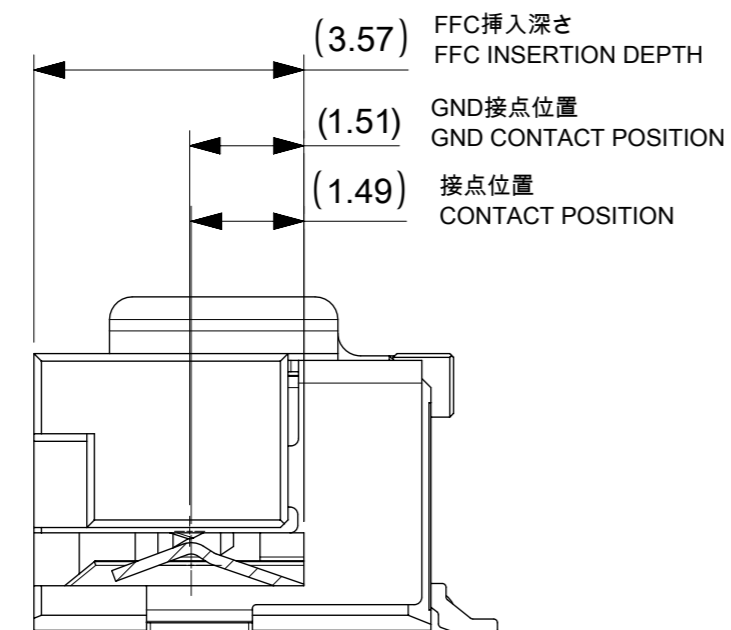
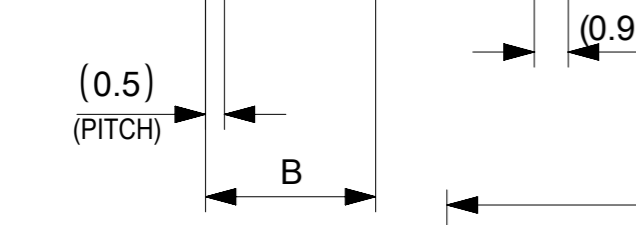
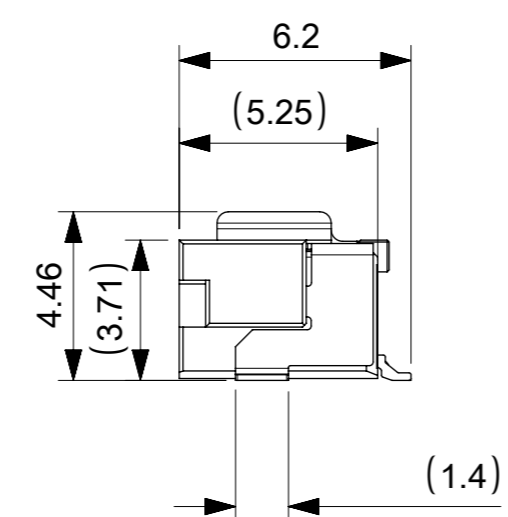
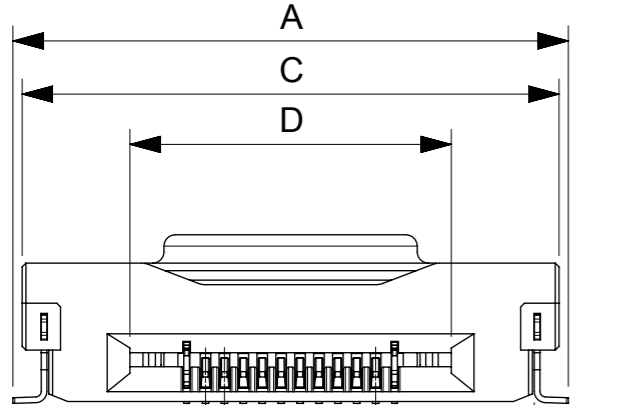
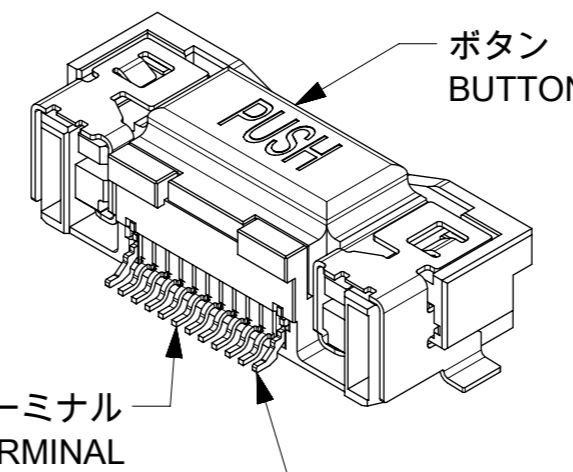
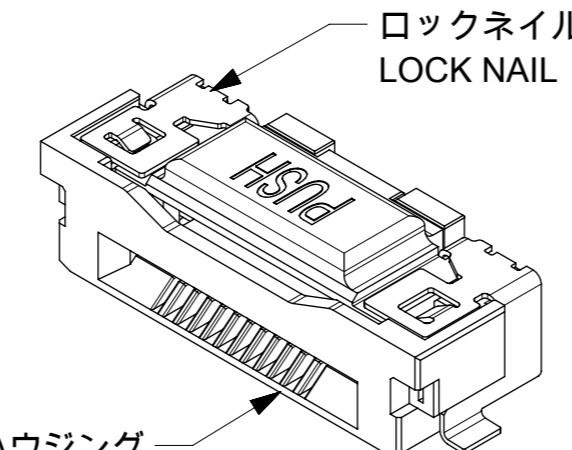
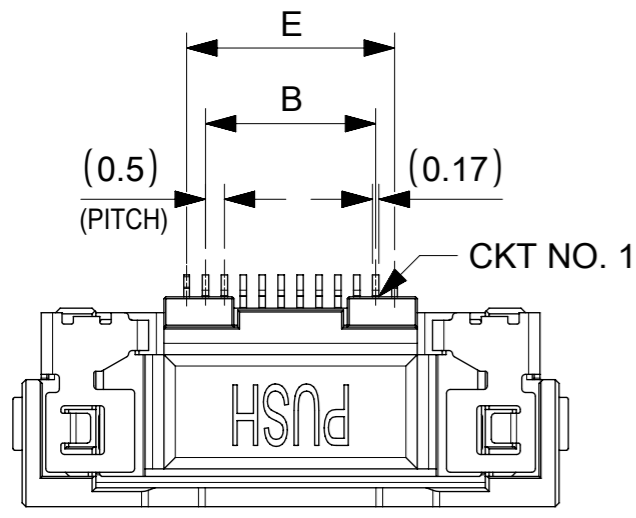
SECTION B-B

CONNECTOR NO. 20048512**

| | | | | | | | | | |
|------|------|----|------|------|-------|-------|-------|------------------|-----|
| 68.4 | 34.2 | 72 | 78.1 | 73.5 | 45.84 | 42.04 | 49.34 | 2004850280 | 80 |
| | | | | | 40.84 | 37.04 | 44.34 | 2004850270 | 70 |
| 52.4 | 26.2 | 56 | 61.4 | 75.4 | 35.84 | 32.04 | 39.34 | 2004850260 | 60 |
| | | | | | 31.34 | 27.54 | 34.84 | 2004850251 | 51 |
| | | | | | 30.84 | 27.04 | 34.34 | 2004850250 | 50 |
| 40.4 | 20.2 | 44 | 49.4 | 45.4 | 25.84 | 22.04 | 29.34 | 2004850240 | 40 |
| | | | | | 23.34 | 19.54 | 26.84 | 2004850235 | 35 |
| | | | | | 20.84 | 17.04 | 24.34 | 2004850230 | 30 |
| 28.4 | 14.2 | 32 | 37.4 | 33.4 | 15.84 | 12.04 | 19.34 | 2004850220 | 20 |
| H | G | F | E | D | C | B | A | EMBOSSED PACKAGE | Ckt |
| | | | | | | | | オーダー番号 ORDER NO. | |

THIS DRAWING CONTAINS INFORMATION THAT IS PROPRIETARY TO MOLEX ELECTRONIC TECHNOLOGIES, LLC AND SHOULD NOT BE USED WITHOUT WRITTEN PERMISSION

| | | | | | |
|--|--------------|------------------------------|--|-----------------------------|--|
| DIMENSION UNITS mm | SCALE NTS | CURRENT REV DESC: | | molex | |
| GENERAL TOLERANCES (UNLESS SPECIFIED) | | EC NO: 648126 | | | |
| ANGULAR TOL | ± 1.0 ° | DRWN: TYAMANE 2020/10/14 | | EMB PKG ONE-TOUCH RA GND HT | |
| 4 PLACES | ± 0.1 | CHK'D: YMATSUMOTO 2020/10/30 | | PRODUCT CUSTOMER DRAWING | |
| 3 PLACES | ± 0.1 | APPR: SHOSHIKAWA 2020/11/02 | | DOCUMENT NUMBER | |
| 2 PLACES | ± 0.1 | INITIAL REVISION: | | 2004850200 | |
| 1 PLACE | ± 0.1 | DRWN: TYAMANE 2018/10/04 | | DOC TYPE | |
| 0 PLACES | ± 0.1 | APPR: SHOSHIKAWA 2020/06/08 | | PSD | |
| DRAFT WHERE APPLICABLE MUST REMAIN WITHIN DIMENSIONS | | THIRD ANGLE PROJECTION | | DOC PART | |
| | | DRAWING | | 000 | |
| | | SERIES | | REVISION | |
| | | A3-SIZE | | B | |
| | | 200485 | | SHEET NUMBER | |
| | | SEE TABLE | | 3 OF 3 | |
| | | GENERAL | | | |



- NOTES:
- 1.使用材料 MATERIAL
 ハウジング: 液晶ポリマー, ガラス充填, UL94V-0(黒)
 HOUSING: LIQUID CRYSTAL POLYMER, GLASS FILLED, UL94V-0(BLACK)
 ボタン: 液晶ポリマー, ガラス充填, UL94V-0(ナチュラル)
 BUTTON: LIQUID CRYSTAL POLYMER, GLASS FILLED, UL94V-0(NATURAL)
 ターミナル: 銅合金(t=0.15)
 TERMINAL: COPPER ALLOY
 ロックネイル: 銅合金(t=0.15)
 LOCK NAIL: COPPER ALLOY
 GNDターミナル: 銅合金(t=0.15)
 GND TERMINAL: COPPER ALLOY
 - 2.めっき仕様 PLATING
 ターミナル TERMINAL
 接点部: 金めっき 0.1μm以上
 CONTACT AREA: GOLD 0.1 MICROMETER MINIMUM
 半田付け部: 金めっき
 SOLDER TAIL AREA: GOLD
 下地めっき: ニッケル 1.0μm以上
 UNDERPLATE: NICKEL 1.0 MICROMETER MINIMUM
 ロックネイル LOCK NAIL
 錫めっき(1.0μm以上)
 TIN PLATING (1.0 MICROMETER MIN.)
 GNDターミナル GND TERMINAL
 錫めっき(1.0μm以上)
 TIN PLATING (1.0 MICROMETER MIN.)
 - 3.平坦度は0.1ミリ以下とする。
 COPLANALITY TO BE 0.1 MAXIMUM.

| | | | | | | | |
|---------------------------------|------|------|------|------|-------|------------------|---------|
| 1.323 | 40.5 | 43.5 | 49.2 | 39.5 | 49.69 | 2004850280 | 80 |
| 1.215 | 35.5 | 38.5 | 44.2 | 34.5 | 44.69 | 2004850270 | 70 |
| 1.072 | 30.5 | 33.5 | 39.2 | 29.5 | 39.69 | 2004850260 | 60 |
| 0.957 | 26 | 29 | 34.7 | 25 | 35.19 | 2004850251 | 51 |
| 0.942 | 25.5 | 28.5 | 34.2 | 24.5 | 34.69 | 2004850250 | 50 |
| 0.796 | 20.5 | 23.5 | 29.2 | 19.5 | 29.69 | 2004850240 | 40 |
| 0.702 | 18 | 21 | 26.7 | 17 | 27.19 | 2004850235 | 35 |
| 0.650 | 15.5 | 18.5 | 24.2 | 14.5 | 24.69 | 2004850230 | 30 |
| 0.504 | 10.5 | 13.5 | 19.2 | 9.5 | 19.69 | 2004850220 | 20 |
| 0.358 | 5.5 | 8.5 | 14.2 | 4.5 | 14.69 | 2004850210 | 10 |
| NET WEIGHT (g) | E | D | C | B | A | EMBOSSED PACKAGE | CIRCUIT |
| CONNECTOR SERIES NO. 20048512** | | | | | | ORDER NO. | |

THIS DRAWING CONTAINS INFORMATION THAT IS PROPRIETARY TO MOLEX ELECTRONIC TECHNOLOGIES, LLC AND SHOULD NOT BE USED WITHOUT WRITTEN PERMISSION

mm 5:1

GENERAL TOLERANCES (UNLESS SPECIFIED)

ANGULAR TOL ± 1.0°

4 PLACES ± 0.1

3 PLACES ± 0.1

2 PLACES ± 0.1

1 PLACE ± 0.1

0 PLACES ± 0.1

DRAFT WHERE APPLICABLE MUST REMAIN WITHIN DIMENSIONS

THIRD ANGLE PROJECTION

DRAWING A3-SIZE

SERIES 200485

MATERIAL NUMBER SEE TABLE

CUSTOMER GENERAL

SHEET NUMBER 1 OF 2

EC NO: 650466

DRWN: TYAMANE 2020/12/02

CHK'D: YMATSUMOTO 2020/12/02

APPR: SHOSHIKAWA 2020/12/02

INITIAL REVISION:

DRWN: AOKAJIMA 2017/06/06

APPR: SHOSHIKAWA 2020/06/08

DOCUMENT NUMBER 2004851200

DOC TYPE PSD

DOC PART 000

REVISION C

0.5FFC CONN. RA ONE TOUCH ASS'Y GND HT

PRODUCT CUSTOMER DRAWING

