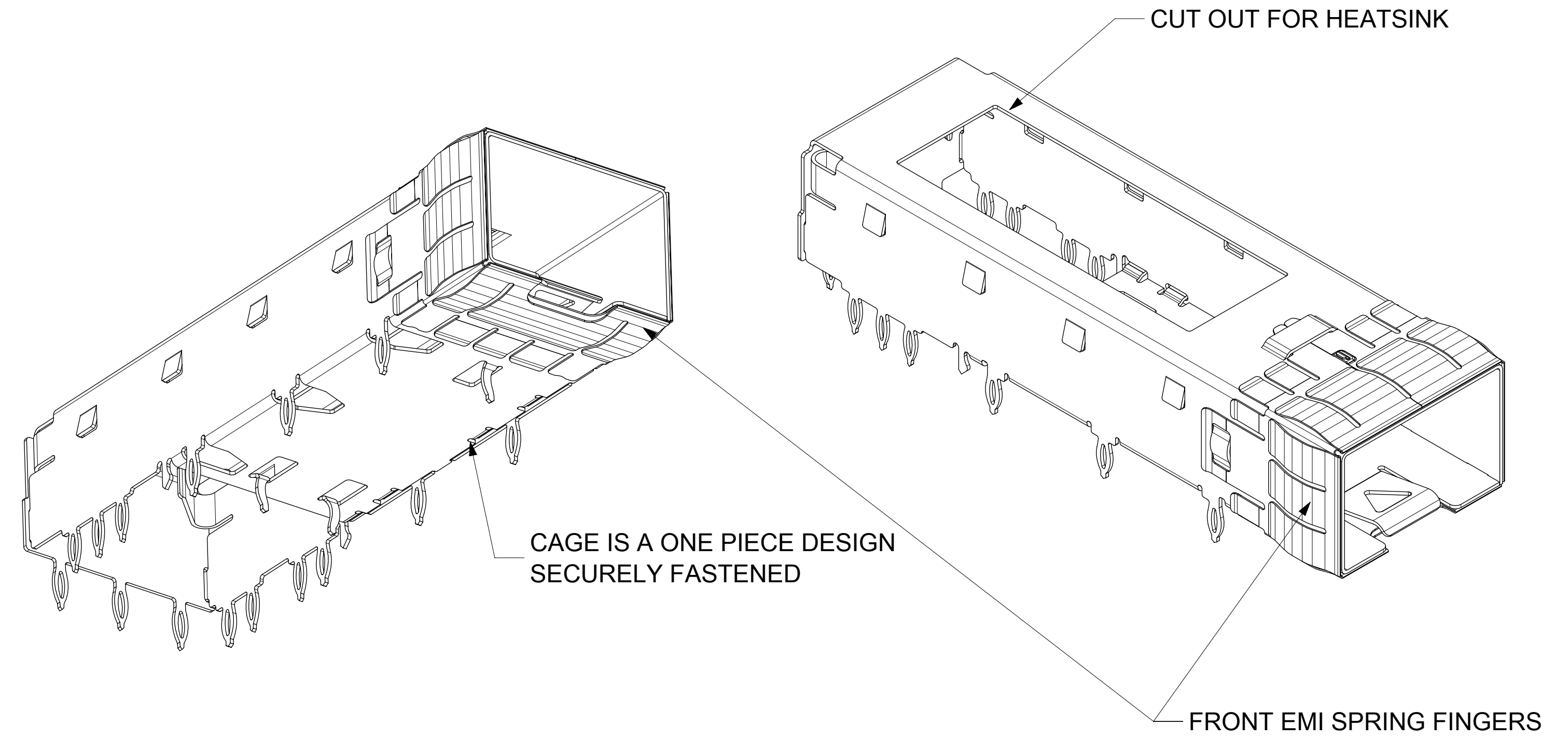
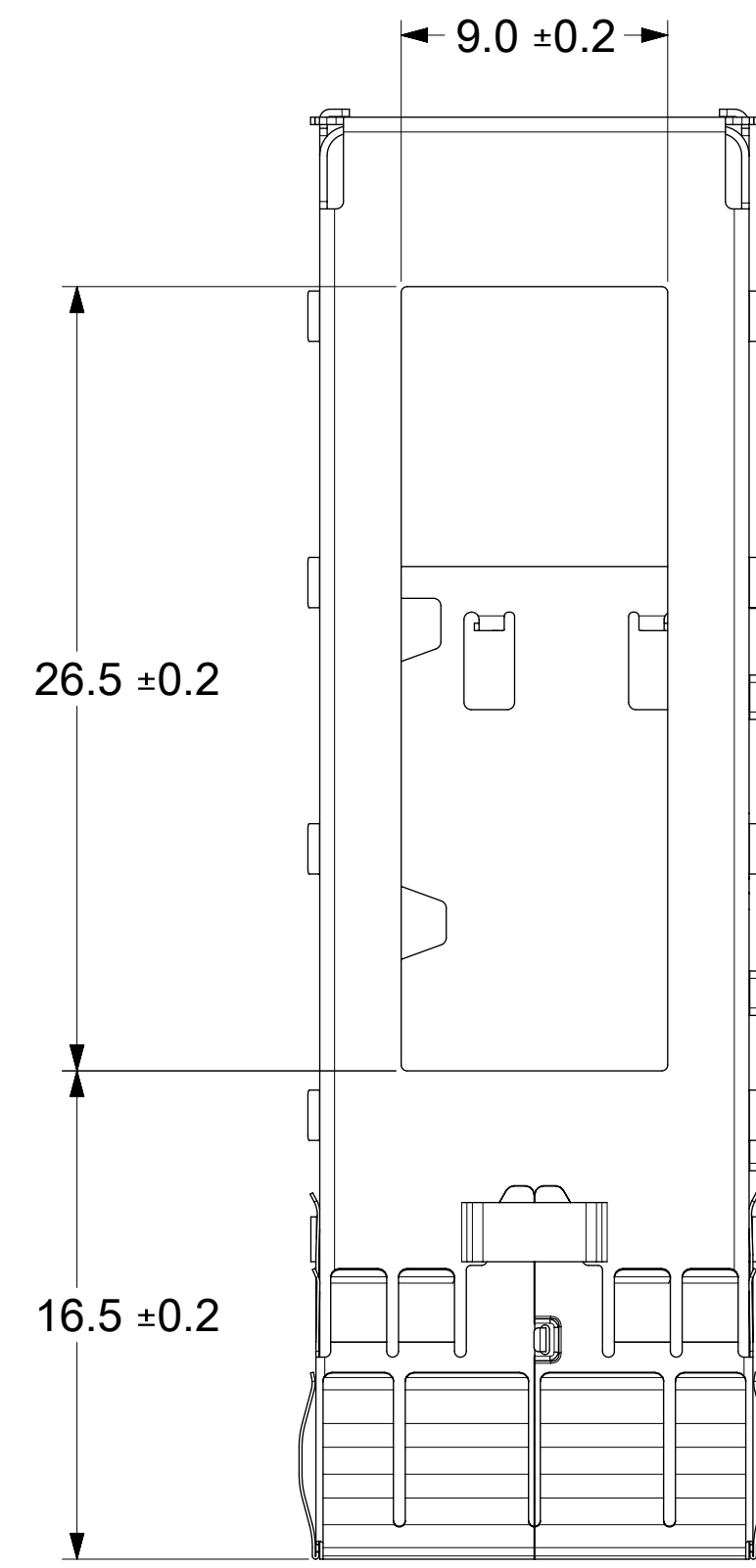
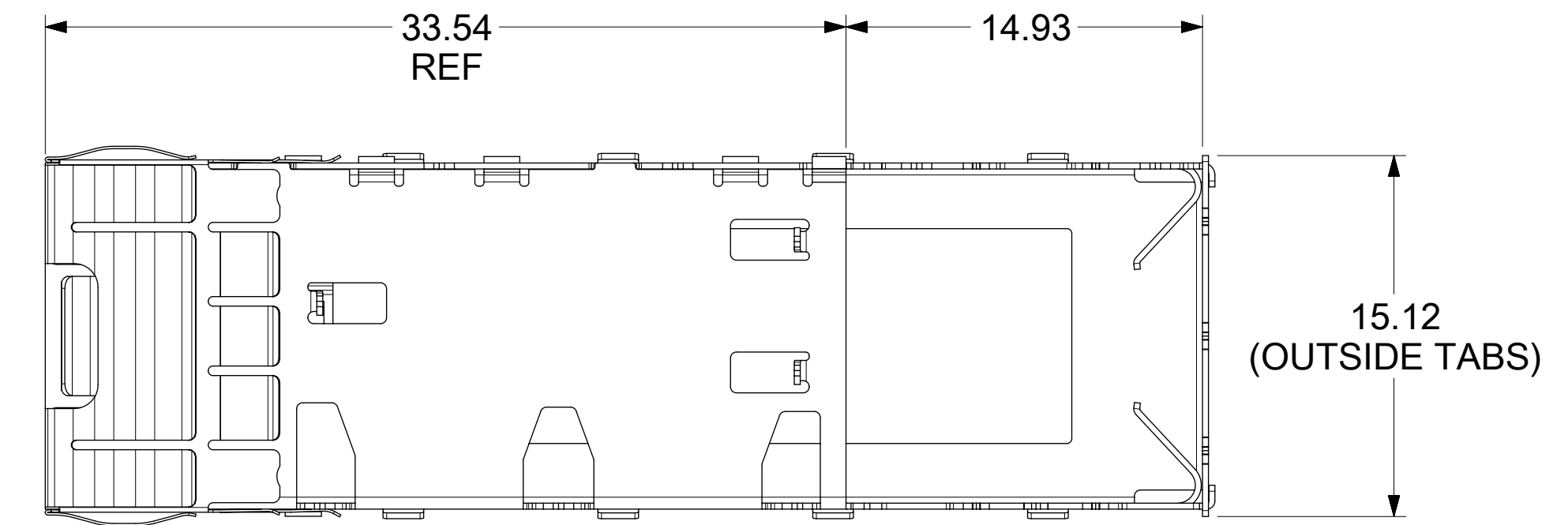
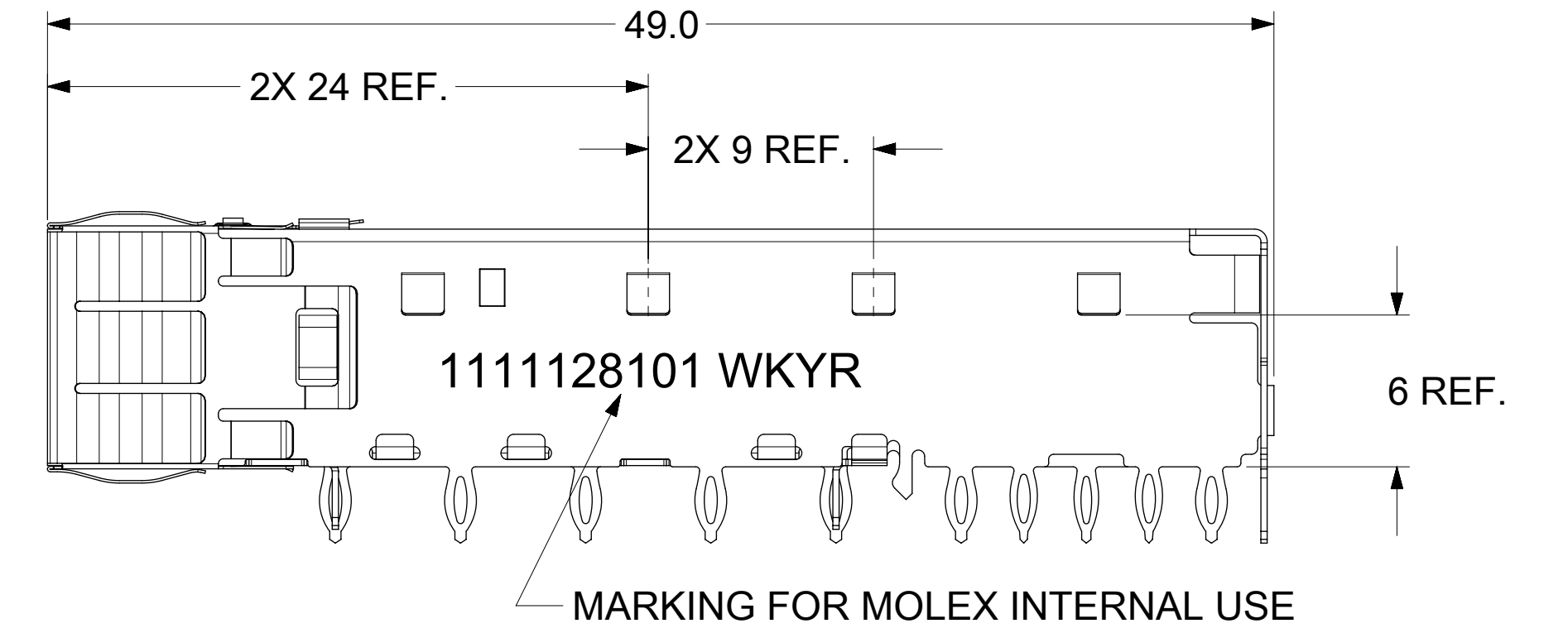
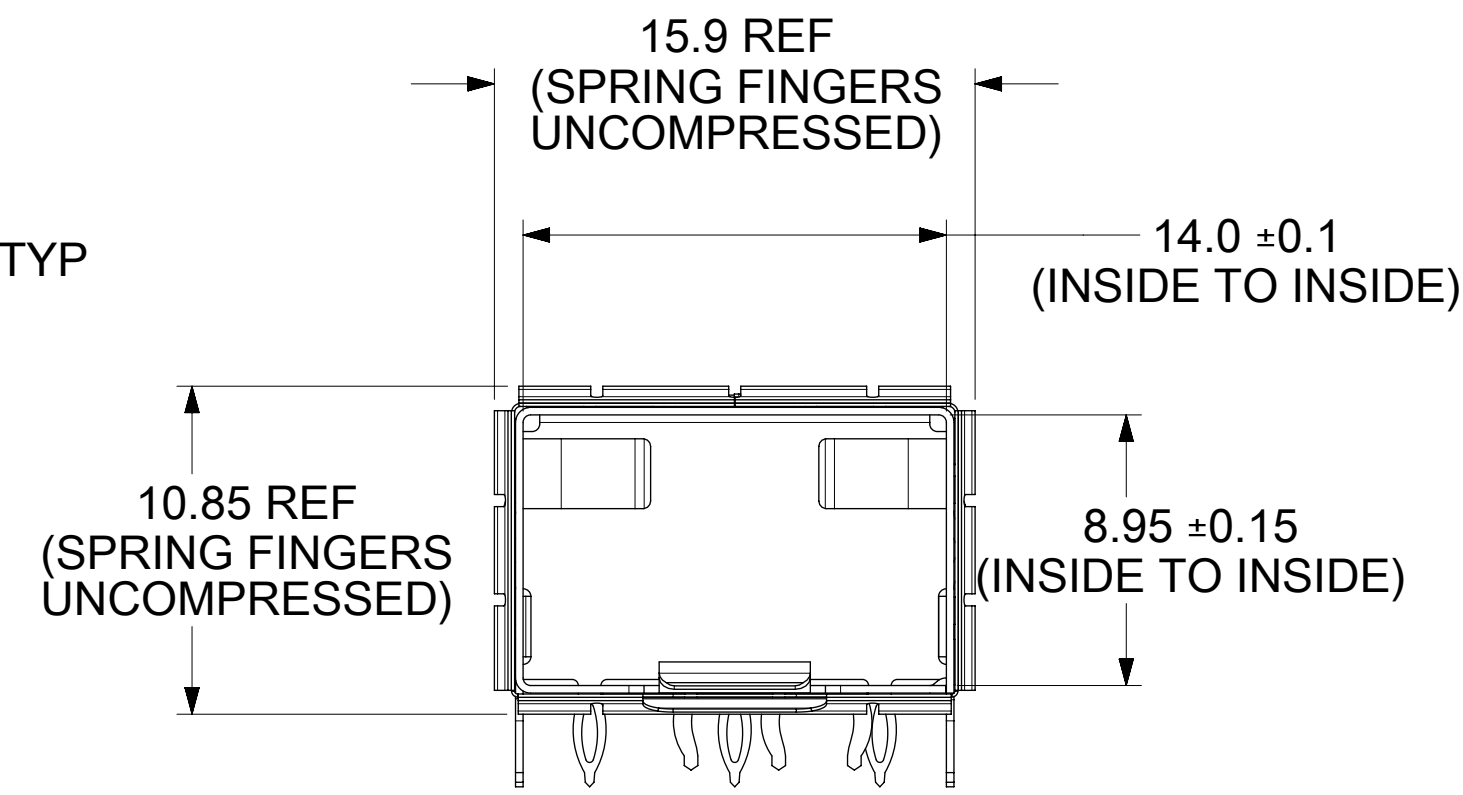
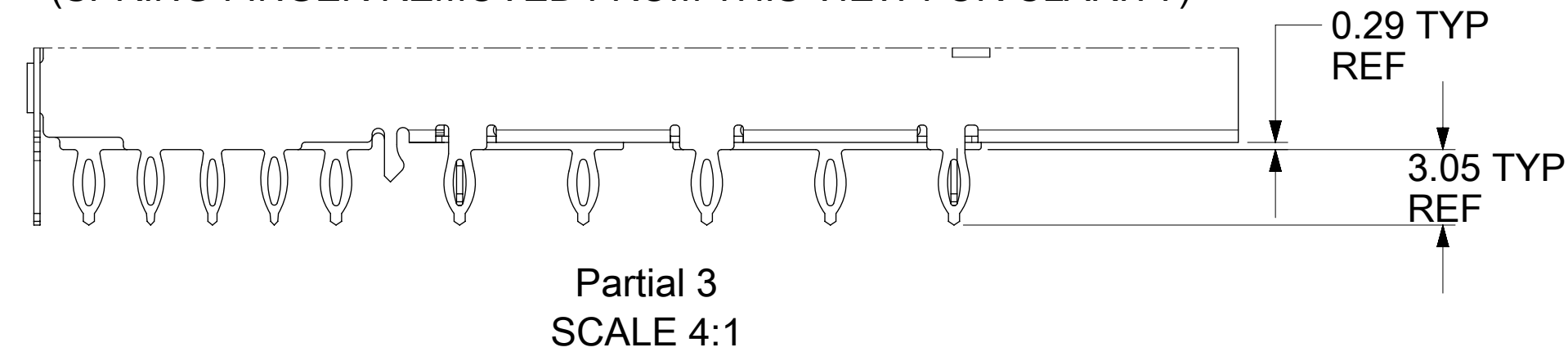


HEATSINK AND HEATSINK SPRING CLIP  
REMOVED TO SHOW CAGE DETAIL  
PART NUMBER 111112-8125 SHOWN



SPECIAL CAGE 111112-8125 WITH LENGTHENED PRESS FIT PINS  
(SPRING FINGER REMOVED FROM THIS VIEW FOR CLARITY)

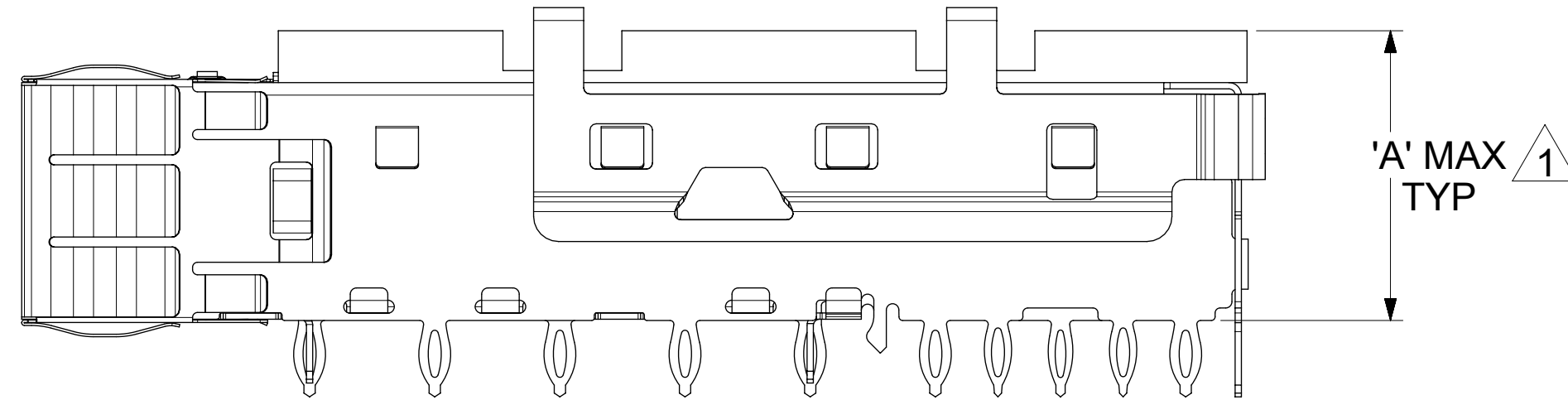
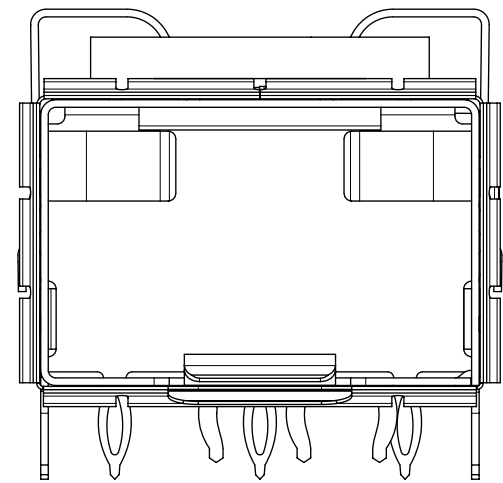
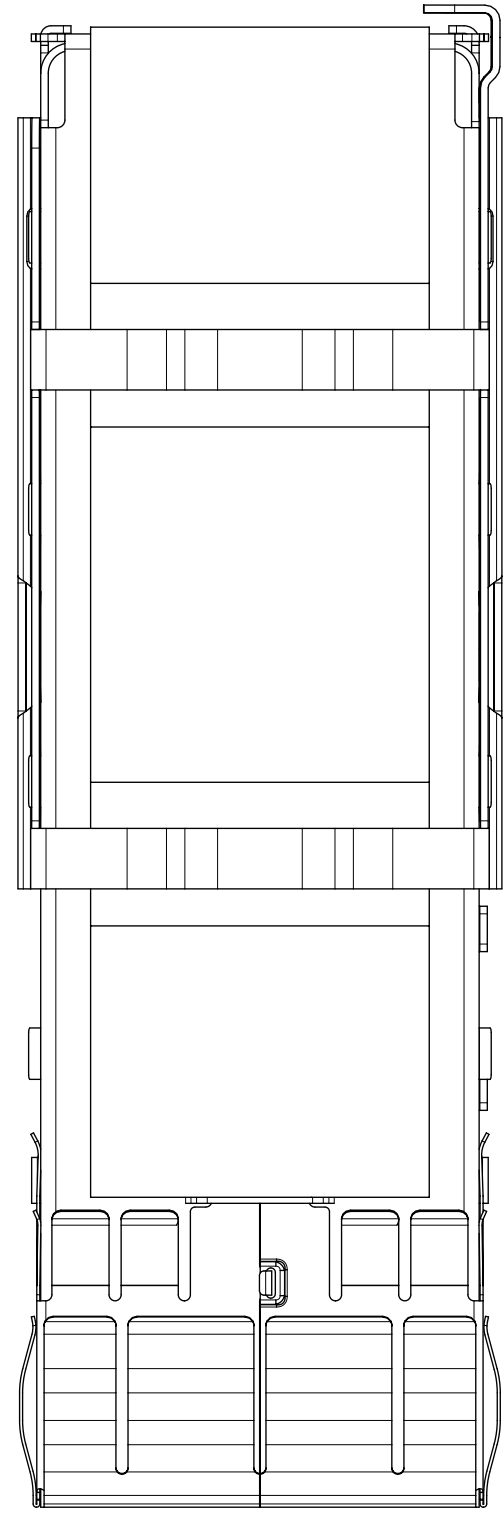
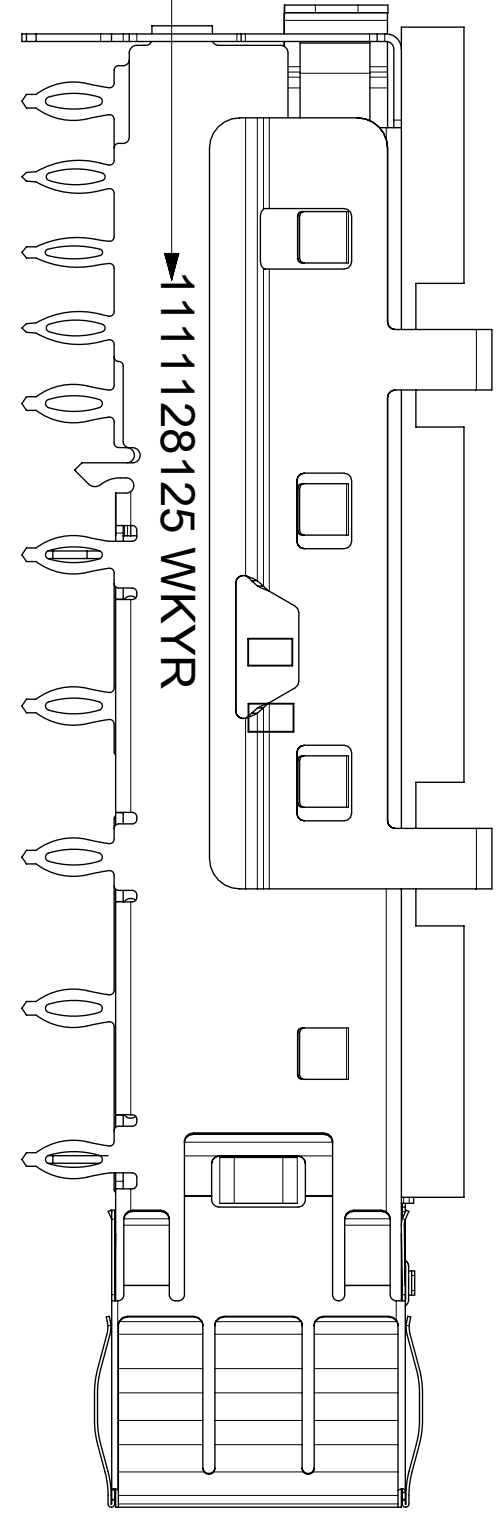


- NOTES:
- MATERIAL:  
CAGE: 0.25mm THICK COPPER ALLOY, NICKEL PLATED.  
FRONT SPRING FINGERS: STAINLESS STEEL.  
HEATSINK: ALUMINUM, NICKEL PLATED.  
HEATSINK SPRING CLIP: STAINLESS STEEL.
  - PRESS FIT LEGS 3.05mm LONG:  
1.57mm MINIMUM PCB THICKNESS FOR SINGLE SIDED USE.
  - PORTS ARE DESIGNED FOR SFP+ TRANSCEIVERS AND ARE COMPATIBLE WITH SFP TRANSCEIVERS.  
THE TOP SURFACE OF THE MODULE MUST BE FLAT (NO PRODUCT LABEL RECESS) AND THERMALLY CONDUCTIVE TO FUNCTION OPTIMALLY.
  - WELD SPOTS WILL SHOW SLIGHT MATERIAL DISCOLORATION.
  - NO ROHS EXEMPTIONS.
  - CUSTOM HEATSINKS AVAILABLE UPON REQUEST.
  - CAGE ASSEMBLY, HEATSINK, AND HEATSINK SPRING CLIP SHIPPED ASSEMBLED.
  - THE MOLEX CAGE REQUIRES USING THE MOLEX HEATSINK SPRING CLIP.

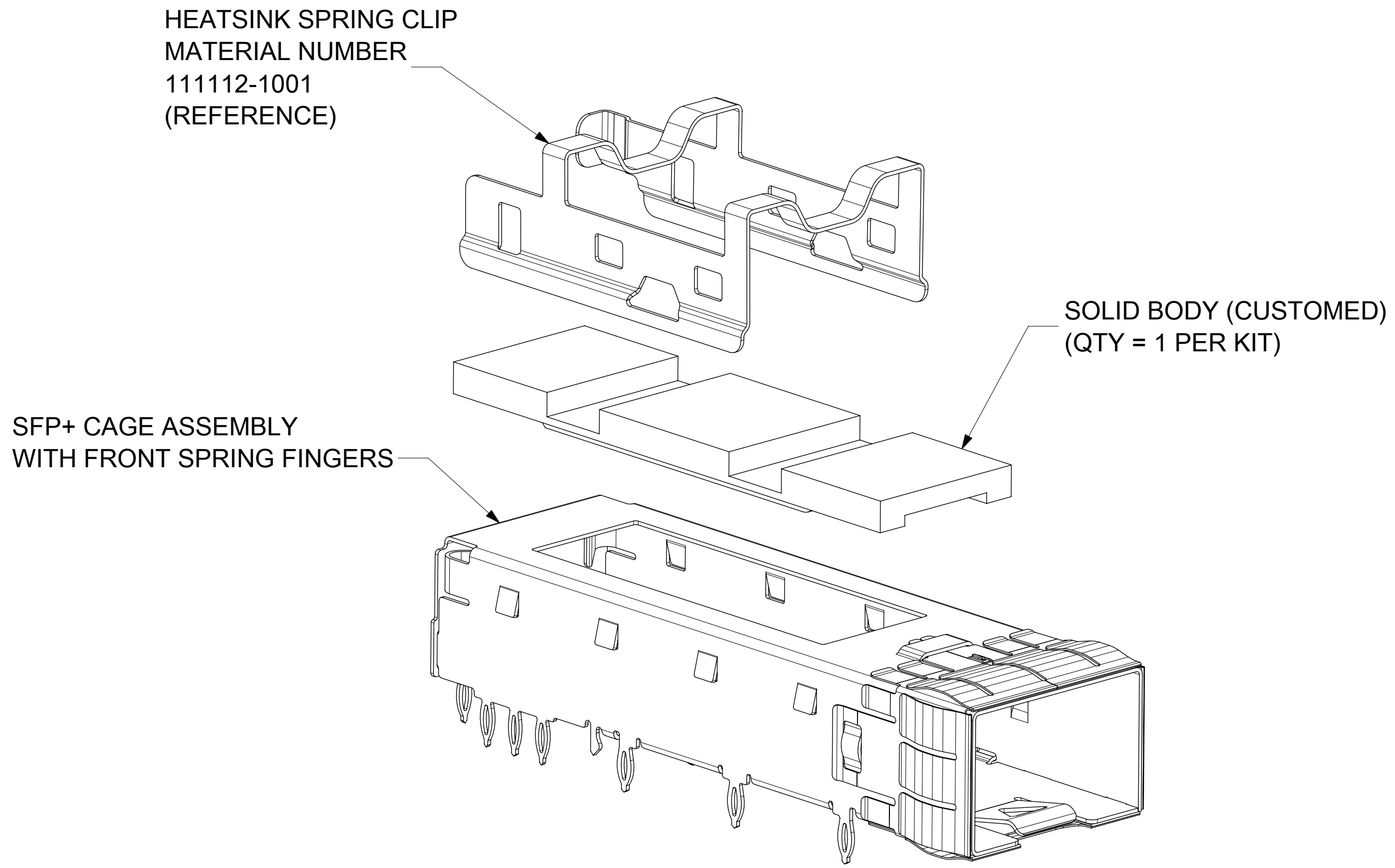
THIS DRAWING CONTAINS INFORMATION THAT IS PROPRIETARY TO MOLEX ELECTRONIC TECHNOLOGIES, LLC AND SHOULD NOT BE USED WITHOUT WRITTEN PERMISSION													
DIMENSION UNITS		SCALE		CURRENT REV DESC: SEE REV TABLE									
mm		4:1											
GENERAL TOLERANCES (UNLESS SPECIFIED)				EC NO: 744064		2022/09/13		<b>SFP+ 1X1 CAGE ASSEMBLY PRESS FIT TYPE W/ SUS EMI SF AND CUSTOM HEAT SINK</b>					
ANGULAR TOL ± 1.0°				DRWN: PKH		2023/03/28							
4 PLACES ±				CHK'D: AMRUTH		2023/03/30		<b>PRODUCT CUSTOMER DRAWING</b>					
3 PLACES ±				APPR: TKUMARKC									
2 PLACES ± 0.13				INITIAL REVISION:				DOCUMENT NUMBER: <b>1111128125</b> DOC TYPE: PSD DOC PART: ASY REVISION: <b>A1</b>					
1 PLACE ± 0.25				DRWN: ABHILT2		2022/04/13							
0 PLACES ±				APPR: SCHIEN		2022/05/27		MATERIAL NUMBER: SEE SHEET 2 CUSTOMER:					
DRAFT WHERE APPLICABLE MUST REMAIN WITHIN DIMENSIONS				THIRD ANGLE PROJECTION		DRAWING: D-SIZE						SERIES: 111112	

111112-8125  
SHOWN ASSEMBLED

CAGE IDENTIFICATION:  
KIT MATERIAL NUMBER  
DATE CODE:  
WK = WEEK 01 THROUGH 52.  
EXAMPLE: 01 = FIRST WEEK OF YEAR, 52 = LAST WEEK OF YEAR  
YR = LAST TWO DIGITS OF THE YEAR. 23, 24, 25  
ETC. EXAMPLE: 2023 = 23.



EXPLODED VIEW

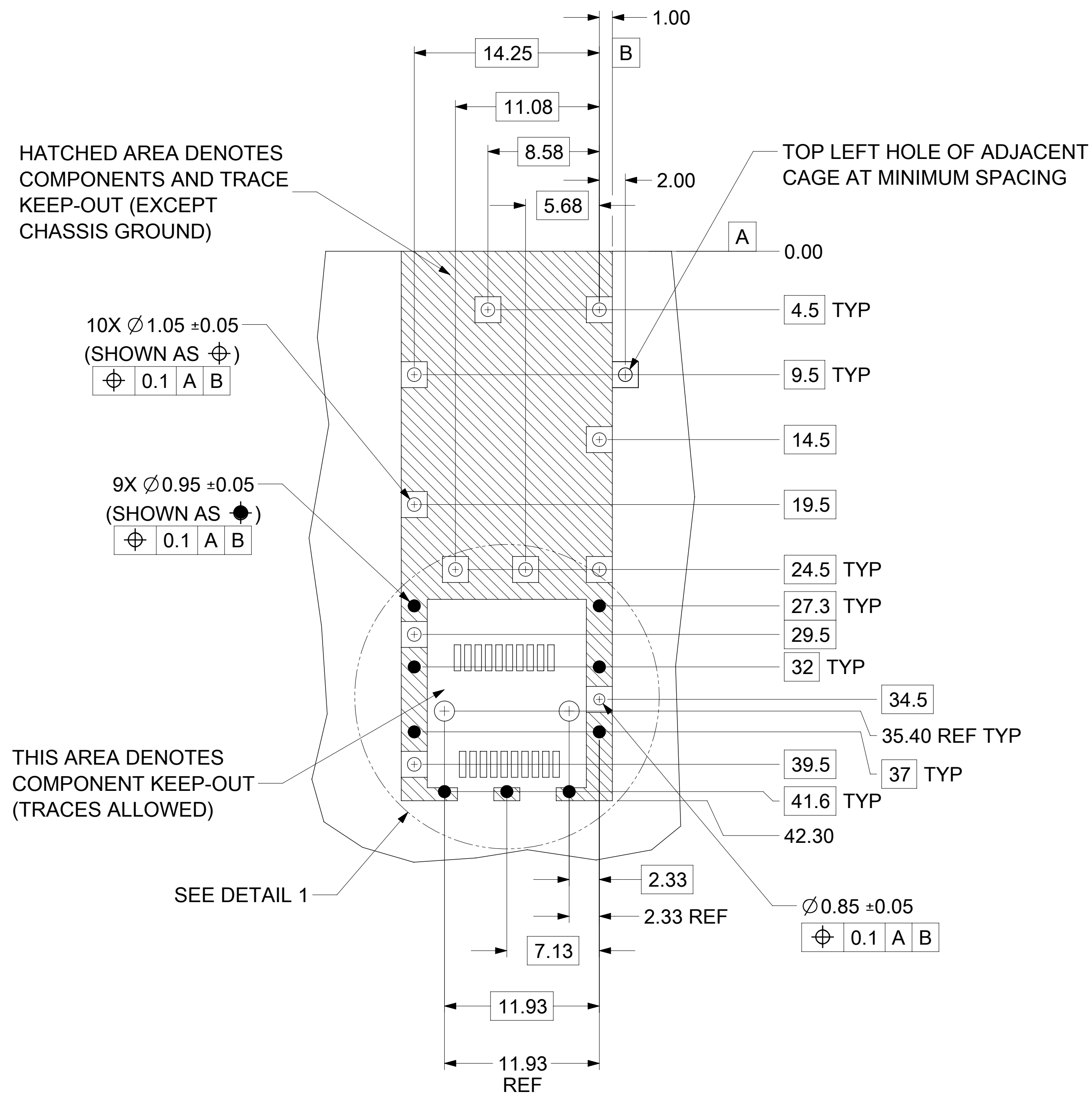


KIT MAT'L NUMBER	APPLICATION	CAGE ASSY	ASSEMBLED DIM 'A'	HEATSINK DIM 'B' (REF)	HEATSINK MAT'L NO. (REF)	POLYIMIDE GASKET ATTACHED
STANDARD CAGE						
1111128125	SOLID BODY	1111128101	12.67	3.07	111112-2091	NO

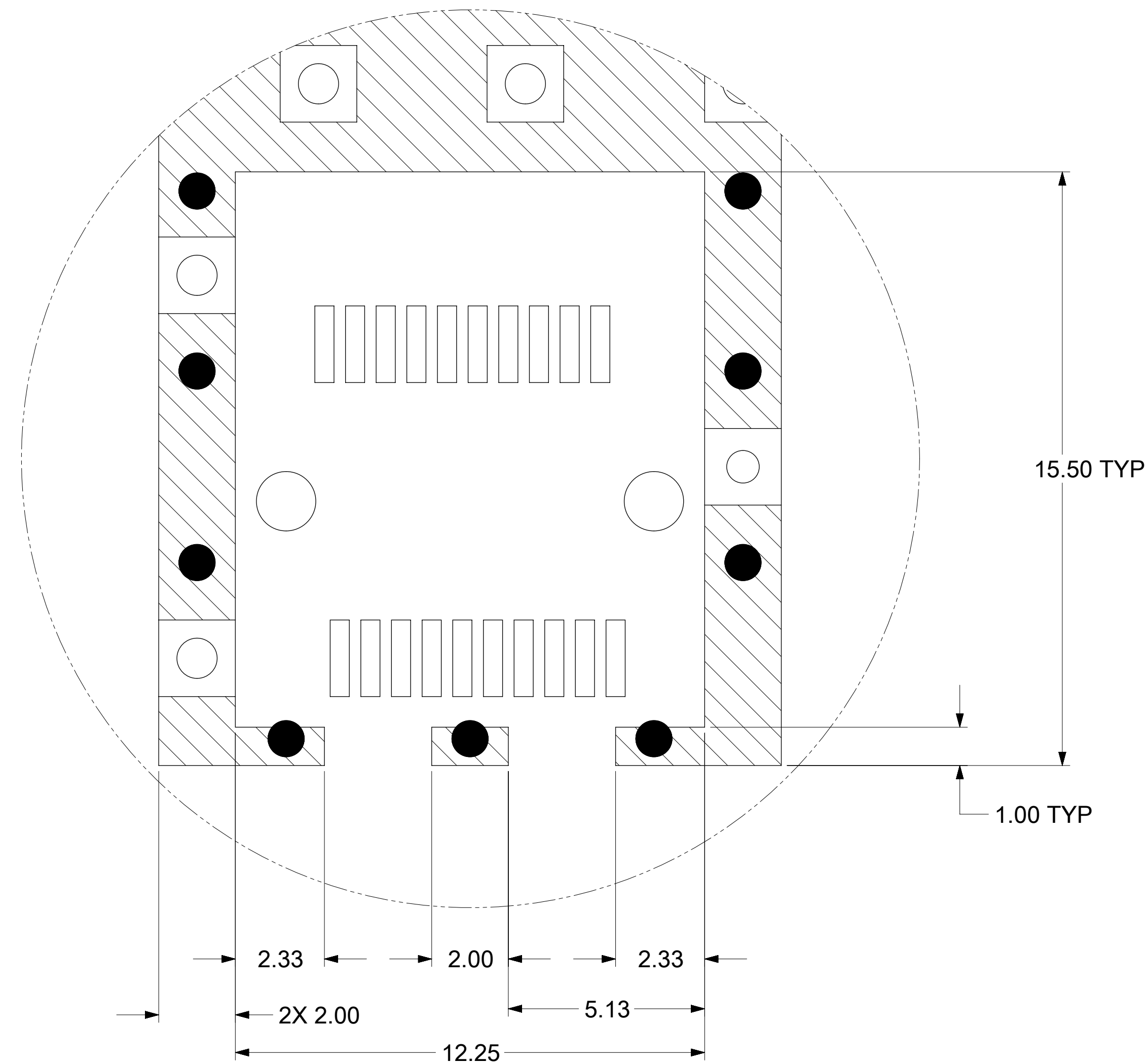
1 HEIGHT OF HEATSINK WITH MODULE INSERTED.  
DIMENSION MAY BE LESS DUE TO MODULE AND HEATSINK VARIATIONS.

THIS DRAWING CONTAINS INFORMATION THAT IS PROPRIETARY TO MOLEX ELECTRONIC TECHNOLOGIES, LLC AND SHOULD NOT BE USED WITHOUT WRITTEN PERMISSION											
DIMENSION UNITS		SCALE		CURRENT REV DESC: SEE REV TABLE						<b>molex</b>	
mm		4:1									
GENERAL TOLERANCES (UNLESS SPECIFIED)				EC NO: 744064							
ANGULAR TOL ± 1.0°				4 PLACES ±				DRWN: PKH 2022/09/13			
3 PLACES ±				3 PLACES ±				CHK'D: AMRUTH 2023/03/28			
2 PLACES ± 0.13				2 PLACES ±				APPR: TKUMARKC 2023/03/30			
1 PLACE ± 0.25				1 PLACE ±				INITIAL REVISION:			
0 PLACES ±				0 PLACES ±				DRWN: ABHILT2 2022/04/13			
								APPR: SCHIEN 2022/05/27			
DRAFT WHERE APPLICABLE MUST REMAIN WITHIN DIMENSIONS		THIRD ANGLE PROJECTION		DRAWING		SERIES		MATERIAL NUMBER		CUSTOMER	
		D-SIZE		111112		SEE SHEET 2				SHEET NUMBER	
										2 OF 5	

# PCB LAYOUT FOR SINGLE SIDE MOUNT



## HOST CONNECTOR DETAIL



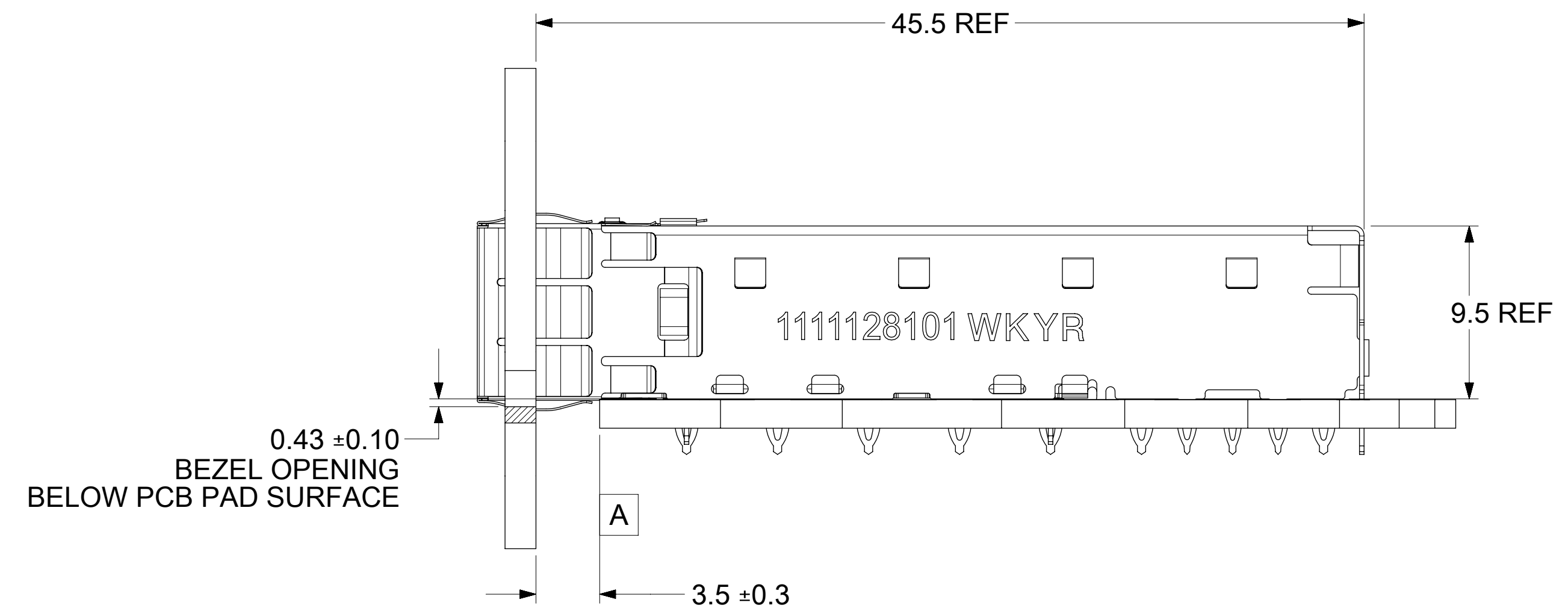
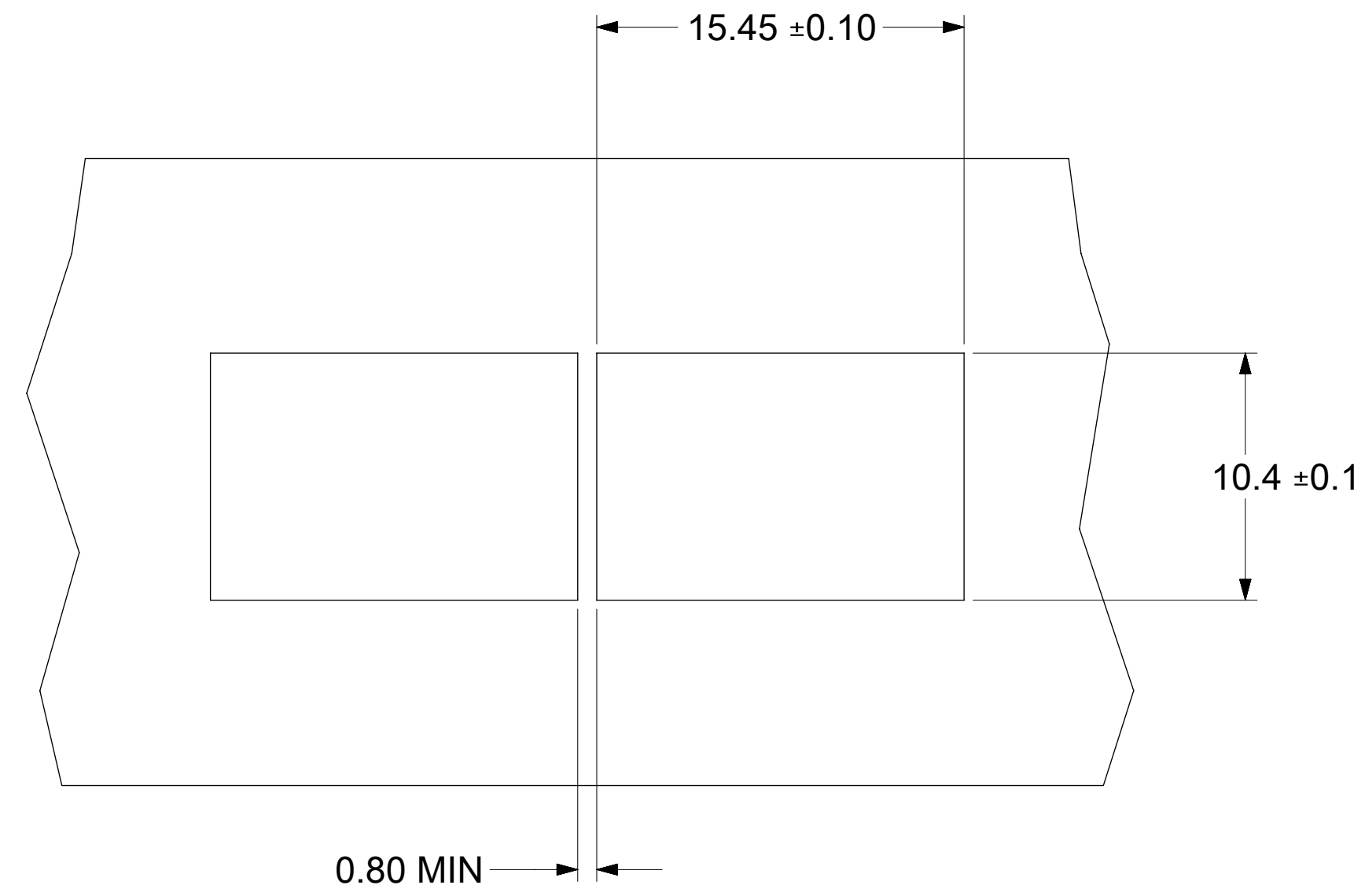
DETAIL 1  
SCALE 10:1

### NOTES:

1. PADS AND VIAS CONNECT TO CHASSIS GROUND (RECOMMEND PADS TO BE 2.00mm SQUARE)
2. RECOMMENDED THRU HOLE PLATING INCLUDES HASL, OSP, OR IMMERSION (GOLD, SILVER, OR TIN).
3. CONNECTOR PAD LAYOUT PER SFP+ MSA WILL ACCOMMODATE MOLEX CONNECTOR SERIES 74441 OR EQUIVALENT.

THIS DRAWING CONTAINS INFORMATION THAT IS PROPRIETARY TO MOLEX ELECTRONIC TECHNOLOGIES, LLC AND SHOULD NOT BE USED WITHOUT WRITTEN PERMISSION											
DIMENSION UNITS		SCALE		CURRENT REV DESC: SEE REV TABLE						<b>molex</b>	
mm		4:1									
GENERAL TOLERANCES (UNLESS SPECIFIED)				EC NO: 744064						SFP+ 1X1 CAGE ASSEMBLY PRESS FIT TYPE W/ SUS EMI SF AND CUSTOM HEAT SINK	
ANGULAR TOL ± 1.0°				DRWN: PKH 2022/09/13						PRODUCT CUSTOMER DRAWING	
4 PLACES ±				CHK'D: AMRUTH 2023/03/28						DOCUMENT NUMBER	
3 PLACES ±				APPR: TKUMARKC 2023/03/30						1111128125	
2 PLACES ± 0.13				INITIAL REVISION:						DOC TYPE	
1 PLACE ± 0.25				DRWN: ABHILT2 2022/04/13						PSD	
0 PLACES ±				APPR: SCHIEN 2022/05/27						DOC PART	
DRAFT WHERE APPLICABLE MUST REMAIN WITHIN DIMENSIONS				THIRD ANGLE PROJECTION		DRAWING		SERIES		REVISION	
				D-SIZE		111112		MATERIAL NUMBER		A1	
				SEE SHEET 2		CUSTOMER		SHEET NUMBER		3 OF 5	


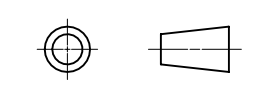
# BEZEL AND BOARD POSITION DIMENSIONS FOR SINGLE SIDE MOUNTING (SPRING FINGER)



**NOTE:**  
1. PCB THICKNESS VARIATION MUST BE CONSIDERED WHEN DETERMINING BEZEL OPENING SIZE AND LOCATION.

THIS DRAWING CONTAINS INFORMATION THAT IS PROPRIETARY TO MOLEX ELECTRONIC TECHNOLOGIES, LLC AND SHOULD NOT BE USED WITHOUT WRITTEN PERMISSION													
DIMENSION UNITS		SCALE		CURRENT REV DESC: SEE REV TABLE						<b>molex</b>			
mm		1:1											
GENERAL TOLERANCES (UNLESS SPECIFIED)				EC NO: 744064 DRWN: PKH 2022/09/13 CHK'D: AMRUTH 2023/03/28 APPR: TKUMARKC 2023/03/30 INITIAL REVISION: DRWN: ABHILT2 2022/04/13 APPR: SCHIEN 2022/05/27								SFP+ 1X1 CAGE ASSEMBLY PRESS FIT TYPE W/ SUS EMI SF AND CUSTOM HEAT SINK	
ANGULAR TOL ± 1.0°													
4 PLACES ±												PRODUCT CUSTOMER DRAWING	
3 PLACES ±													
2 PLACES ± 0.13												DOCUMENT NUMBER <b>1111128125</b>	
1 PLACE ± 0.25													
0 PLACES ±				MATERIAL NUMBER CUSTOMER SEE SHEET 2		SHEET NUMBER 4 OF 5							
DRAFT WHERE APPLICABLE MUST REMAIN WITHIN DIMENSIONS				THIRD ANGLE PROJECTION		DRAWING		SERIES		MATERIAL NUMBER CUSTOMER			
						D-SIZE		111112		SEE SHEET 2			

REVISION	DATE	DESCRIPTION
A	2022/05/24	INITIAL RELEASE
A1	2023/03/28	SHEET 02 : J17 : DTAE CODE DETAILS UPDATED. SHEET 04 : G04 : DIM "9.5 REF" ADDED.

THIS DRAWING CONTAINS INFORMATION THAT IS PROPRIETARY TO MOLEX ELECTRONIC TECHNOLOGIES, LLC AND SHOULD NOT BE USED WITHOUT WRITTEN PERMISSION										
DIMENSION UNITS	SCALE	CURRENT REV DESC: SEE REV TABLE								
mm	1:1									
GENERAL TOLERANCES (UNLESS SPECIFIED)		EC NO: 744064 DRWN: PKH 2022/09/13 CHK'D: AMRUTH 2023/03/28 APPR: TKUMARKC 2023/03/30 INITIAL REVISION: DRWN: ABHILT2 2022/04/13 APPR: SCHIEN 2022/05/27			SFP+ 1X1 CAGE ASSEMBLY PRESS FIT TYPE W/ SUS EMI SF AND CUSTOM HEAT SINK					
ANGULAR TOL	± 1.0°				PRODUCT CUSTOMER DRAWING					
4 PLACES	±				DOCUMENT NUMBER					
3 PLACES	±				1111128125					
2 PLACES	± 0.13				DOC TYPE	DOC PART	REVISION			
1 PLACE	± 0.25	PSD	ASY	A1						
0 PLACES	±	DRAFT WHERE APPLICABLE MUST REMAIN WITHIN DIMENSIONS			THIRD ANGLE PROJECTION	DRAWING	SERIES	MATERIAL NUMBER	CUSTOMER	SHEET NUMBER
				D-SIZE	111112	SEE SHEET 2	5 OF 5			

DOCUMENT STATUS	P1	RELEASE DATE	2023/03/30	11:26:20
-----------------	----	--------------	------------	----------