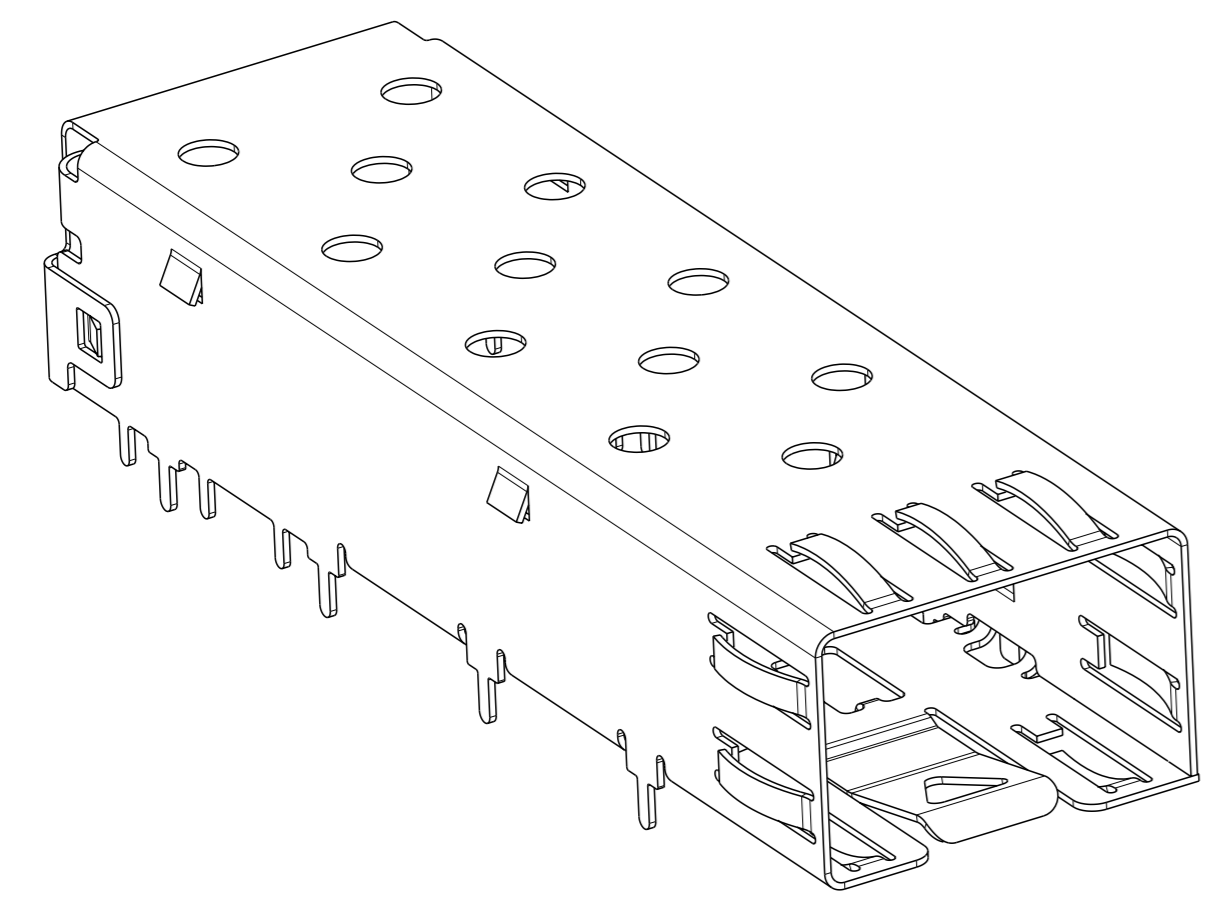
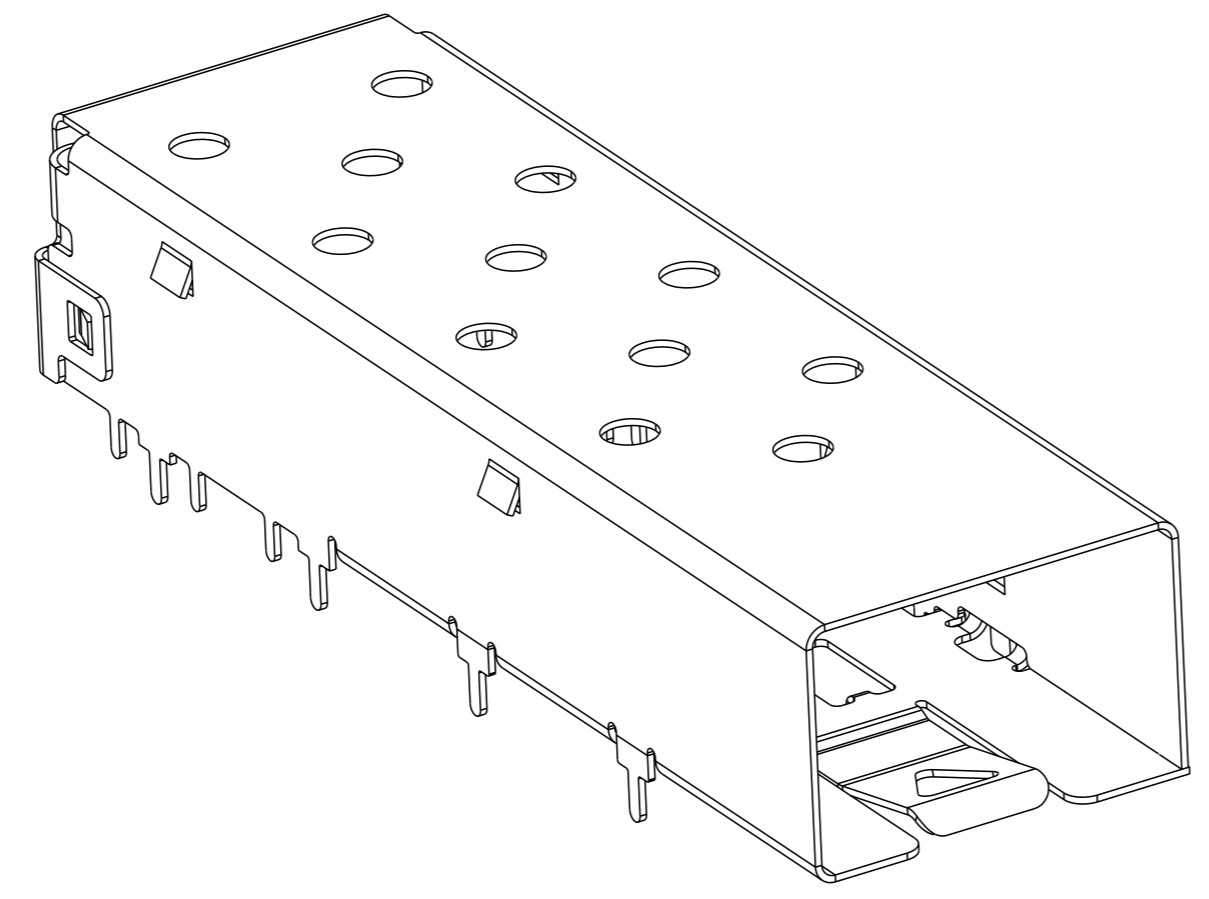


LOC	DIST	REVISIONS					
GP	00	#	LYR	DESCRIPTION	DATE	OWN	APVD
		C		REVISED PER ECR-19-008054	22MAY2019	IT	SH
		C1		ADD PN 2-4	27AUG2019	IT	SH
		C2		ADD PN 1-3 WITH 1.25MM TAILS	15JUN2020	IT	SH
		C3		ADD PN 3-2 PER ECN-21-106888	17MAY2021	SZ	SZ

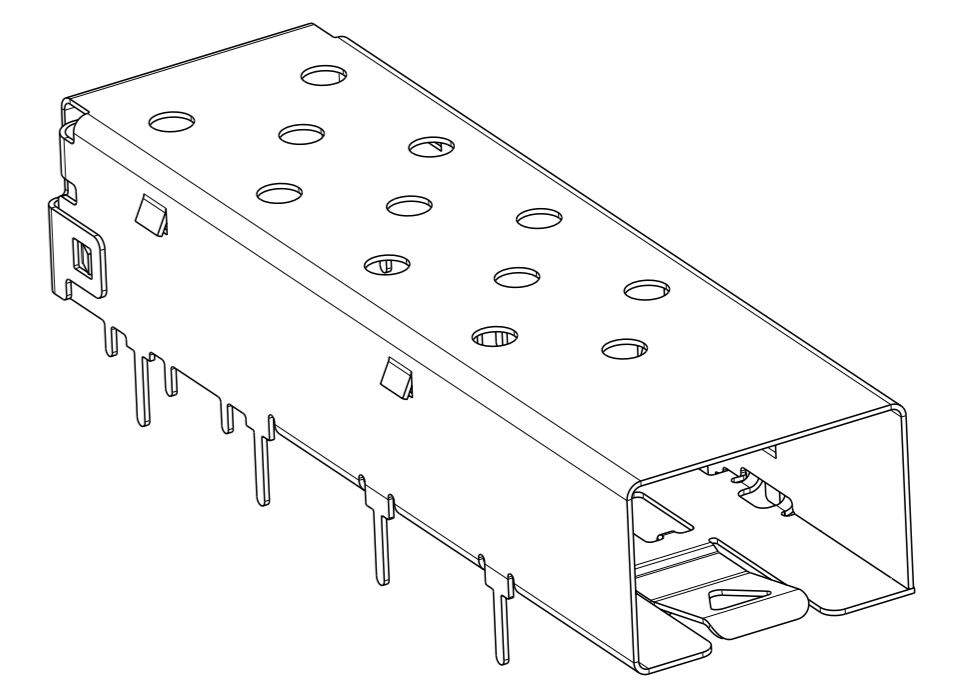


2227303-1, -2, -3, -7
 1-2227303-2/3

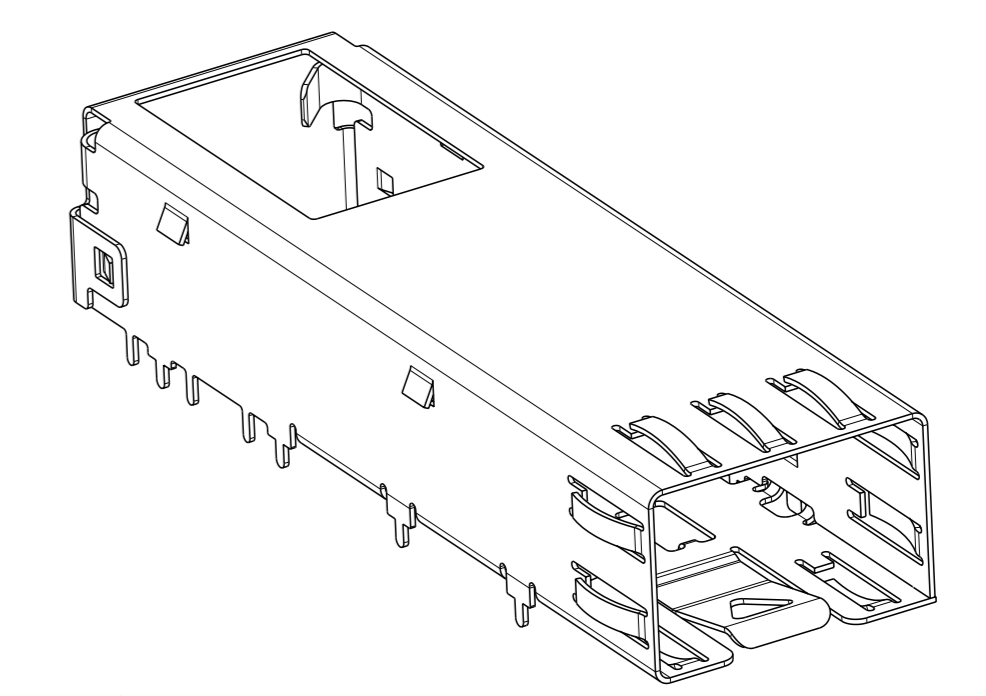
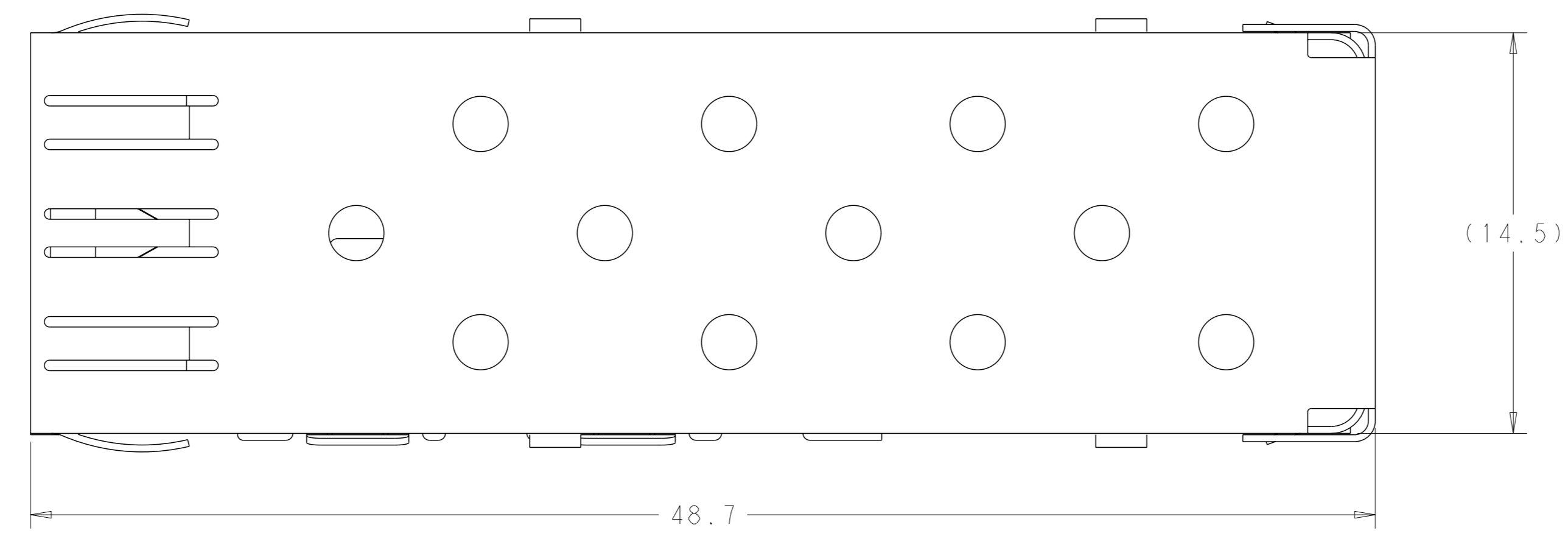


3-2227303-2

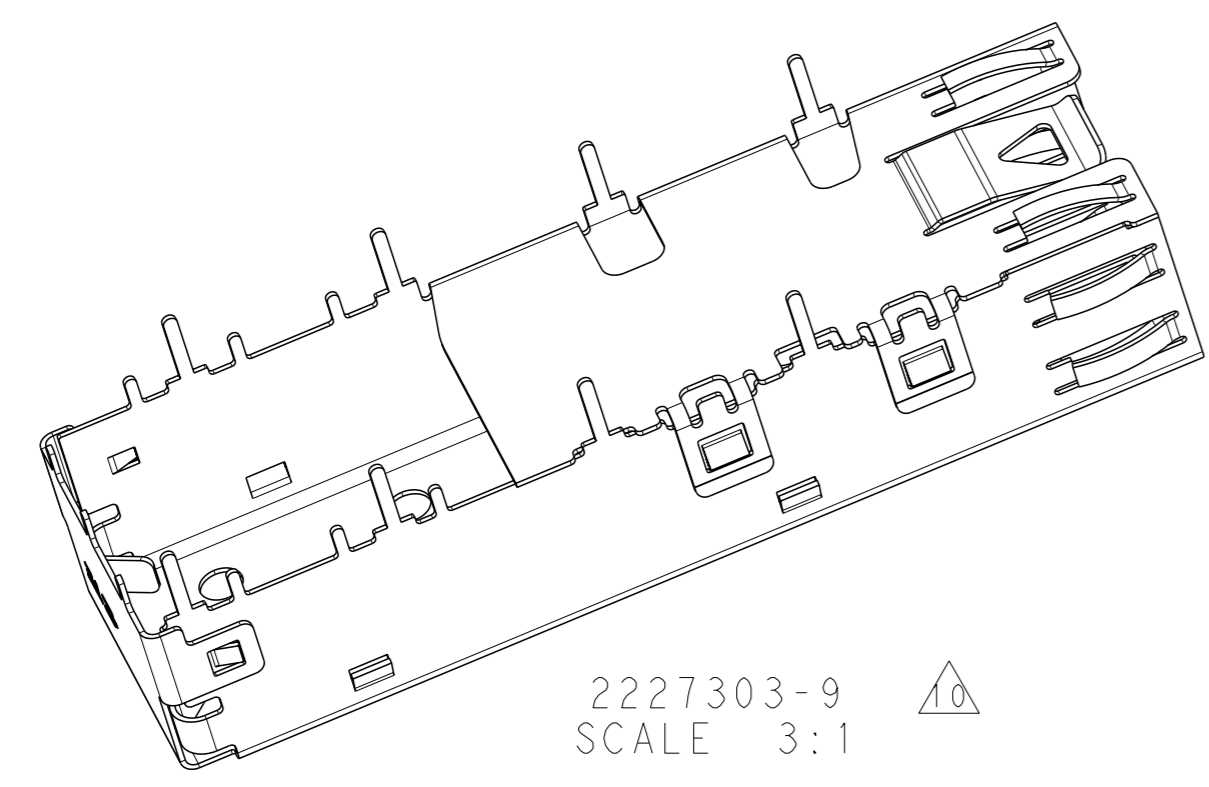
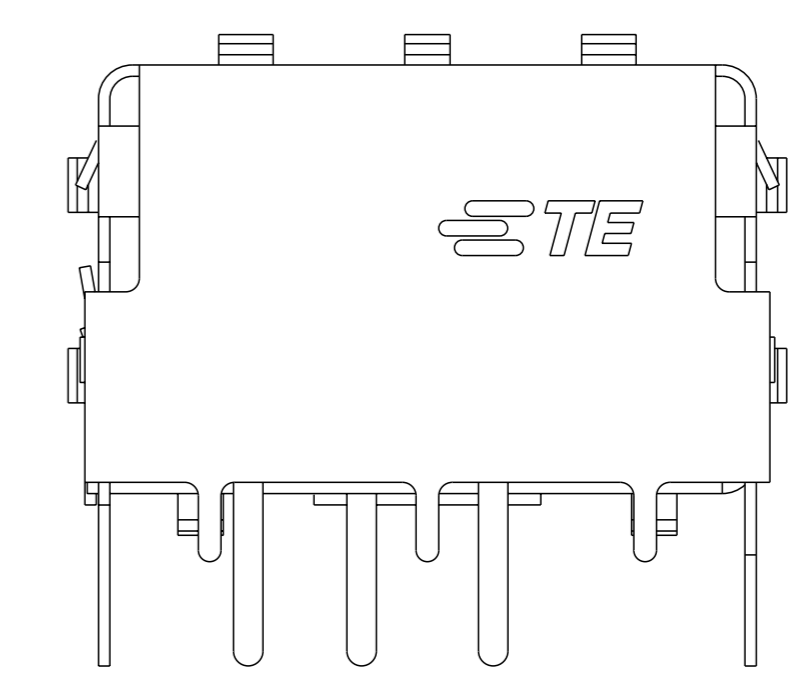
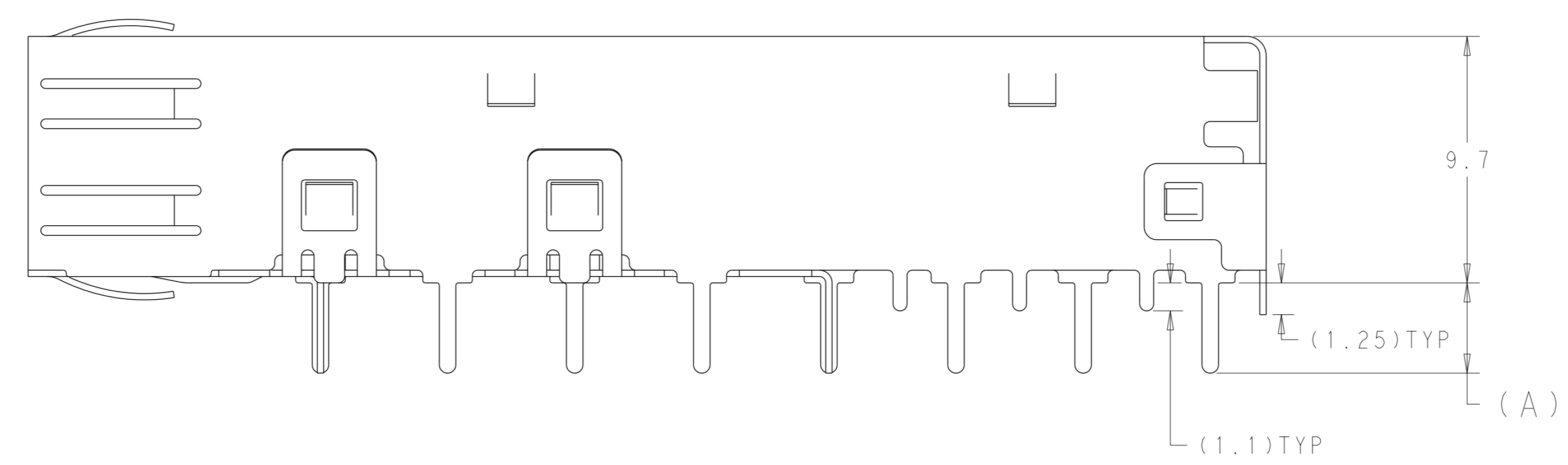
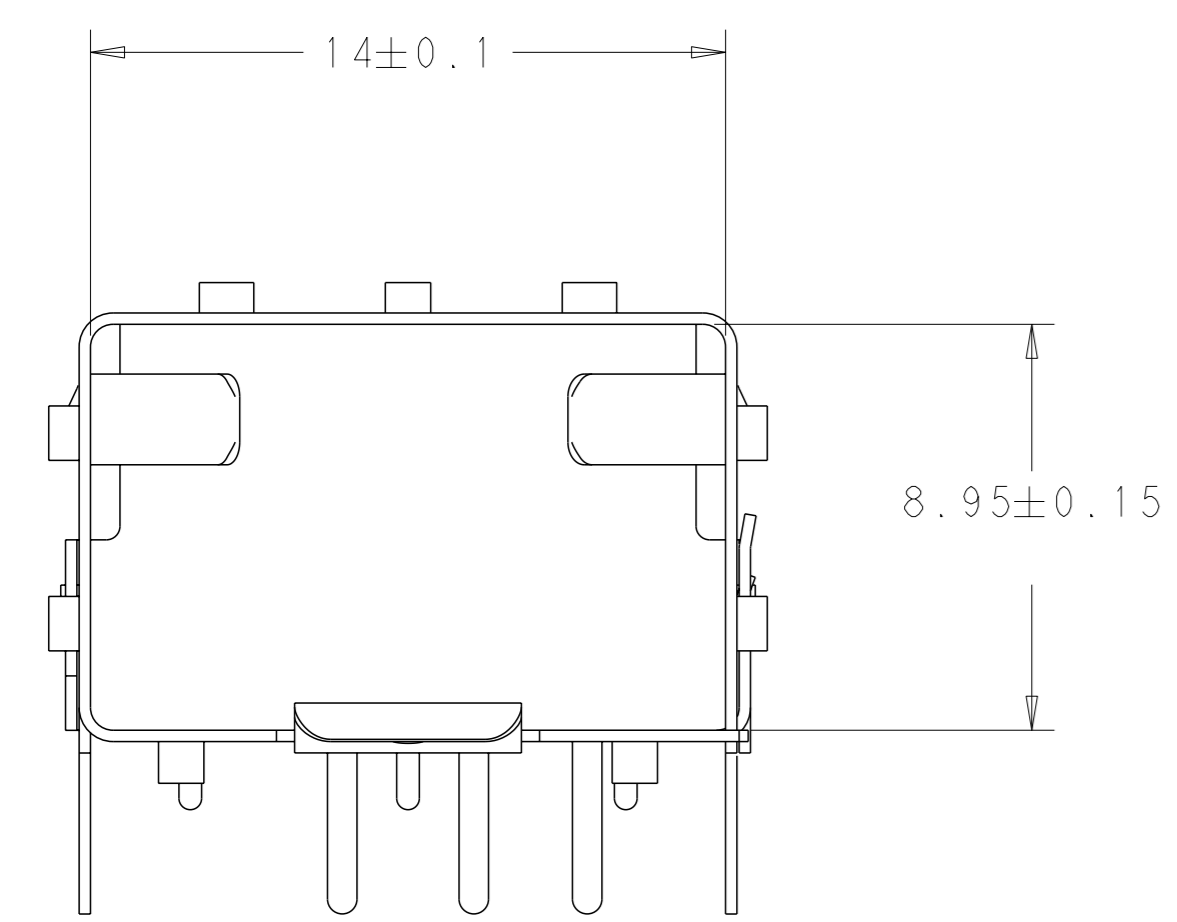
- △ MATERIAL: 0.25mm THICK STAINLESS STEEL.
- △ FINISH: 0.00125mm Min. NICKEL OVER ALL , 0.002mm Min. TIN DIPPED ON SOLDER TABS, NON PLATED EDGES PERMISSIBLE.
- 3. MATES WITH SFP MSA COMPLIANT TRANSCEIVERS.
- △ PADS AND VIAS CHASSIS GROUND.
- △ DATUM AND BASIC DIMENSION ESTABLISHED BY CUSTOMER.
- 6. MINIMUM PC BOARD THICKNESS:
 SINGLE SIDED = 1.50 mm
- △ REFERENCE APPLICATION SPEC. 114-13120, HOLE A, FOR RECOMMENDED DRILL HOLE DIAMETER AND PLATING THICKNESS.
- △ REFERENCE APPLICATION SPEC. 114-13120, HOLE C, FOR RECOMMENDED DRILL HOLE DIAMETER AND PLATING THICKNESS.
- △ ESD PROTECTION PACKAGE.
- △ WITHOUT THREE LOCATION PINS
- △ WITHOUT EMI SPRING
- △ WITH CUSTOMIZED HEATSINK OPEN
- △ PRELIMINARY PART



1-2227303-1



2-2227303-2, 2-2227303-4

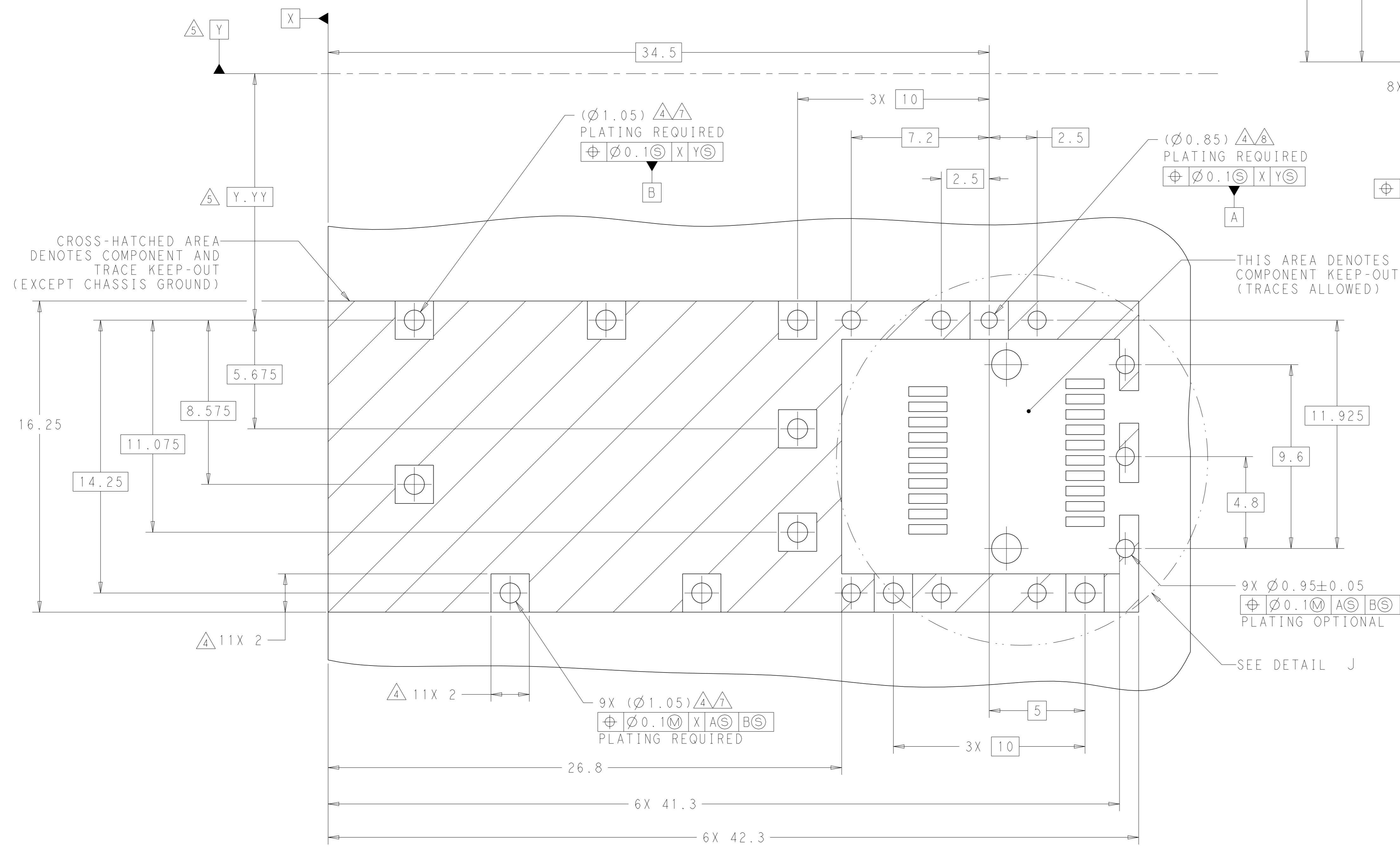
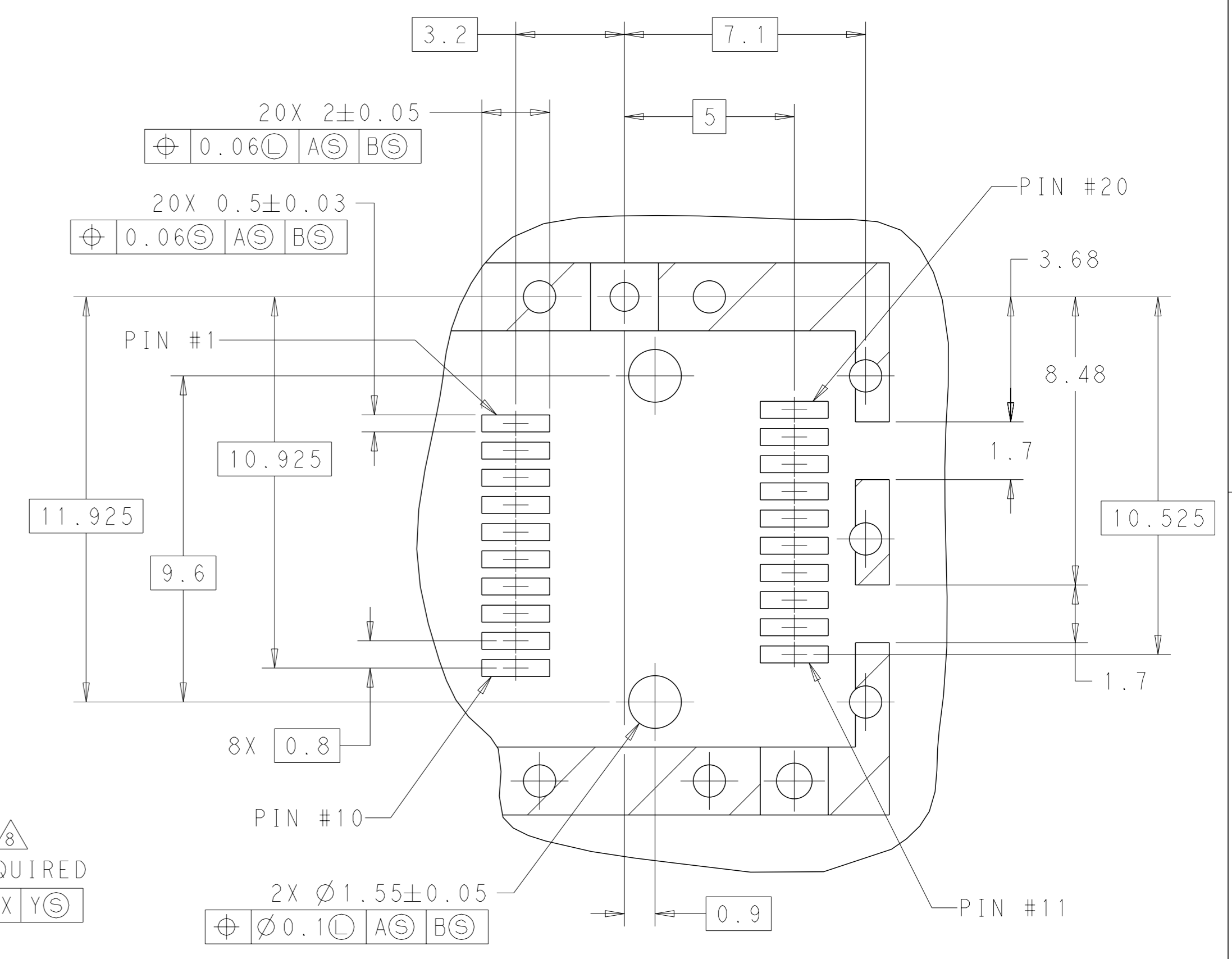
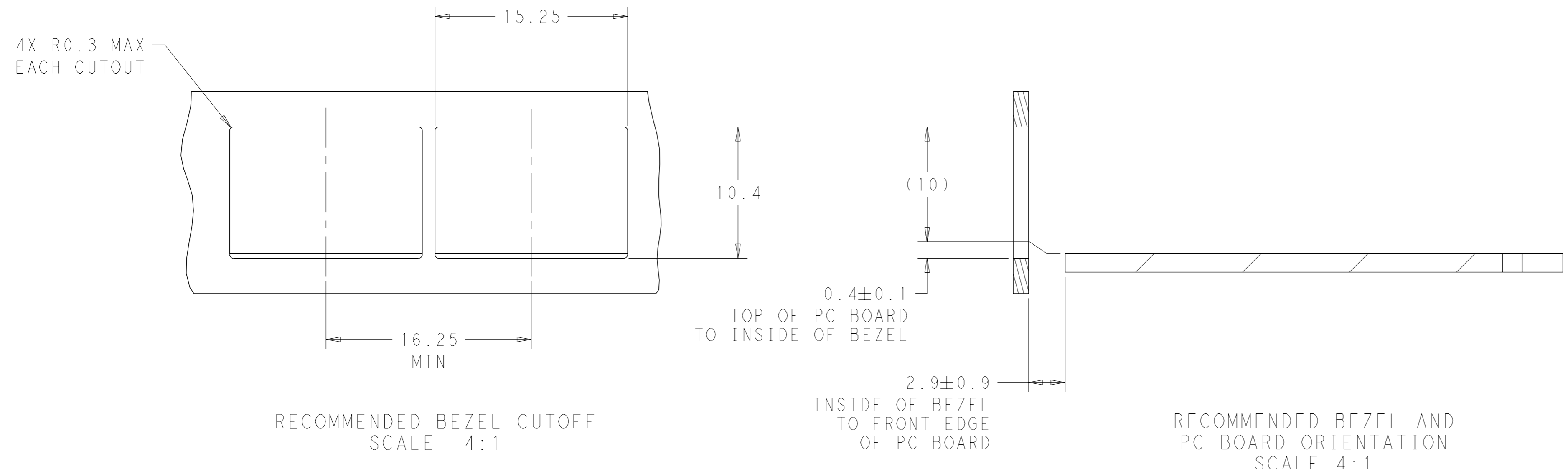


2227303-9
 SCALE 3:1

WITHOUT EMI SPRING	REEL	1.80	3-2227303-2
WITH HEATSINK OPEN	△ REEL	1.25	2-2227303-4
WITH HEATSINK OPEN	△ REEL	1.25	2-2227303-2
WITHOUT EMI SPRING	△ TRAY	3.55	1-2227303-1
WITHOUT LOCATION PIN	△ TRAY	3.55	2227303-9
ALL PINS 3.55 LENGTH	△ TRAY	3.55	2227303-7
STANDARD TYPE WITH AIR VENTS, EMI SPRING, LOCATION PIN	△ REEL	1.25	1-2227303-3
	△ REEL	1.80	1-2227303-2
	TRAY	1.80	2227303-3
	REEL	1.80	2227303-2
TRAY	3.55	2227303-1	
DESCRIPTION	PACKAGING	A	PART NUMBER

THIS DRAWING IS A CONTROLLED DOCUMENT. DIMENSIONING AND TOLERANCING PER ASME Y14.5M-2009.		OWN: C. VALENTINE 19OCT2012	CHK: M. SCHMITT 19OCT2012	APVD: M. SCHMITT 19OCT2012	NAME: SFP, 1X1 SINGLE PIECE CAGE, SOLDER PIN
DIMENSIONS:	TOLERANCES UNLESS OTHERWISE SPECIFIED:	STE			TE Connectivity
mm	0 PLC ±0.1 1 PLC ±0.1 2 PLC ±0.1 3 PLC ±0.1 4 PLC ±0.1 ANGLES ±°	108-1950			RESTRICTED TO
MATERIAL:	FINISH:	114-13120	WEIGHT:	A100779C=2227303	SCALE 6:1 SHEET 1 OF 3 REV C3
Customer Drawing		Customer Drawing			Customer Drawing

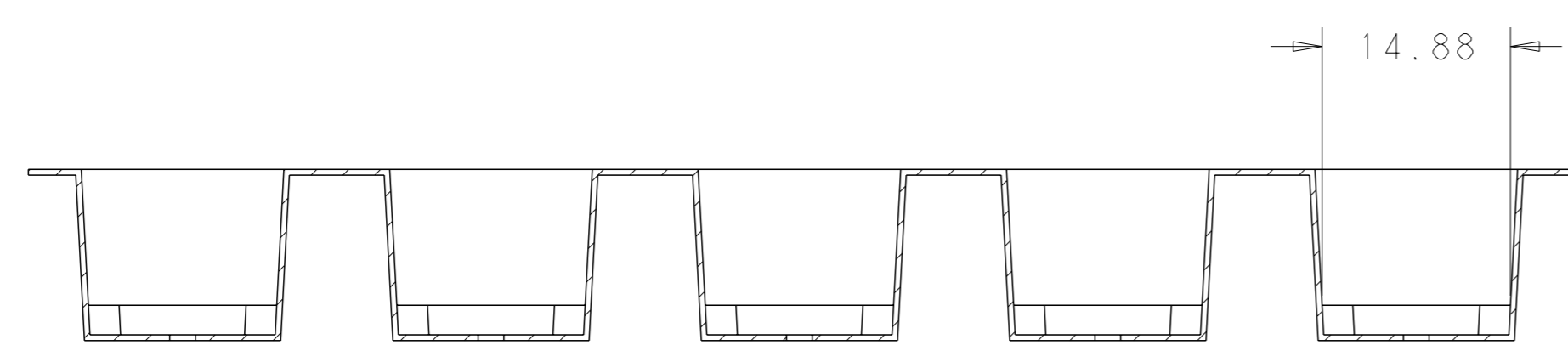
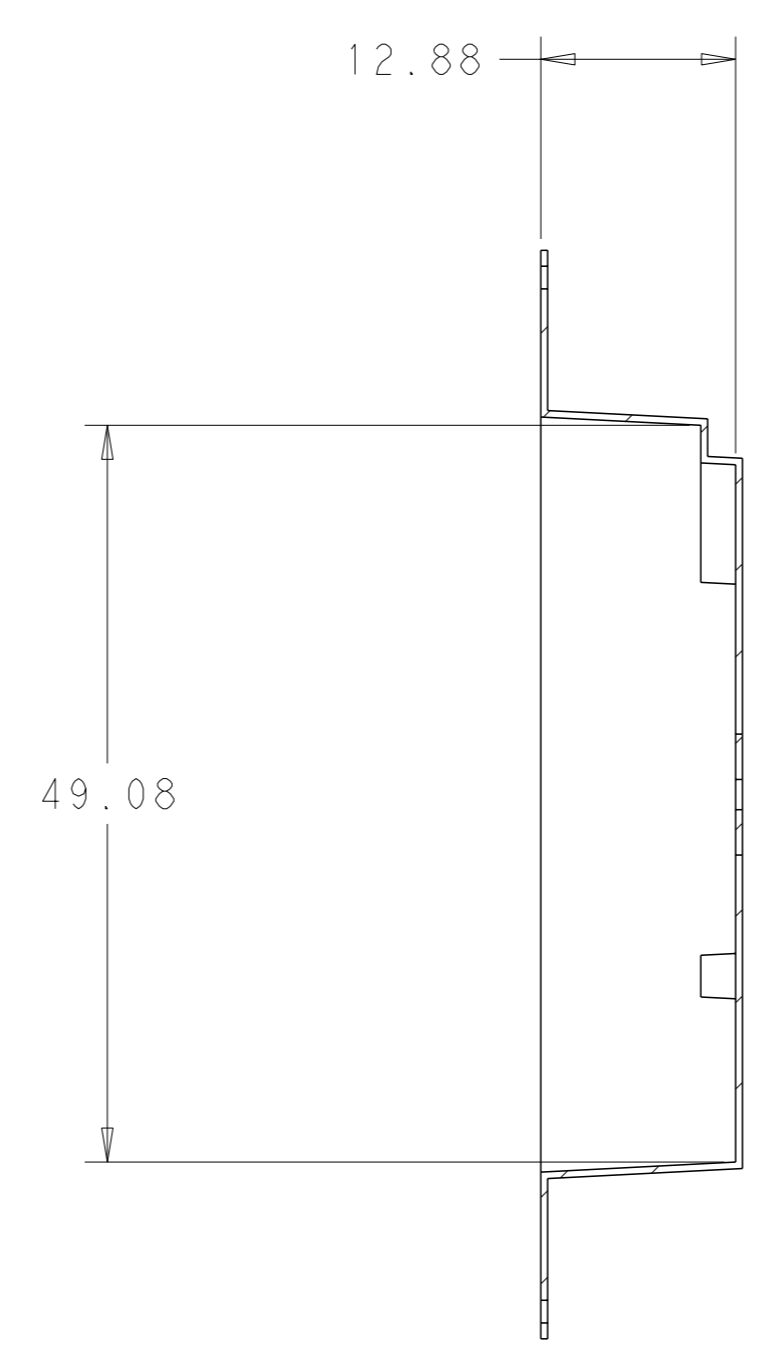
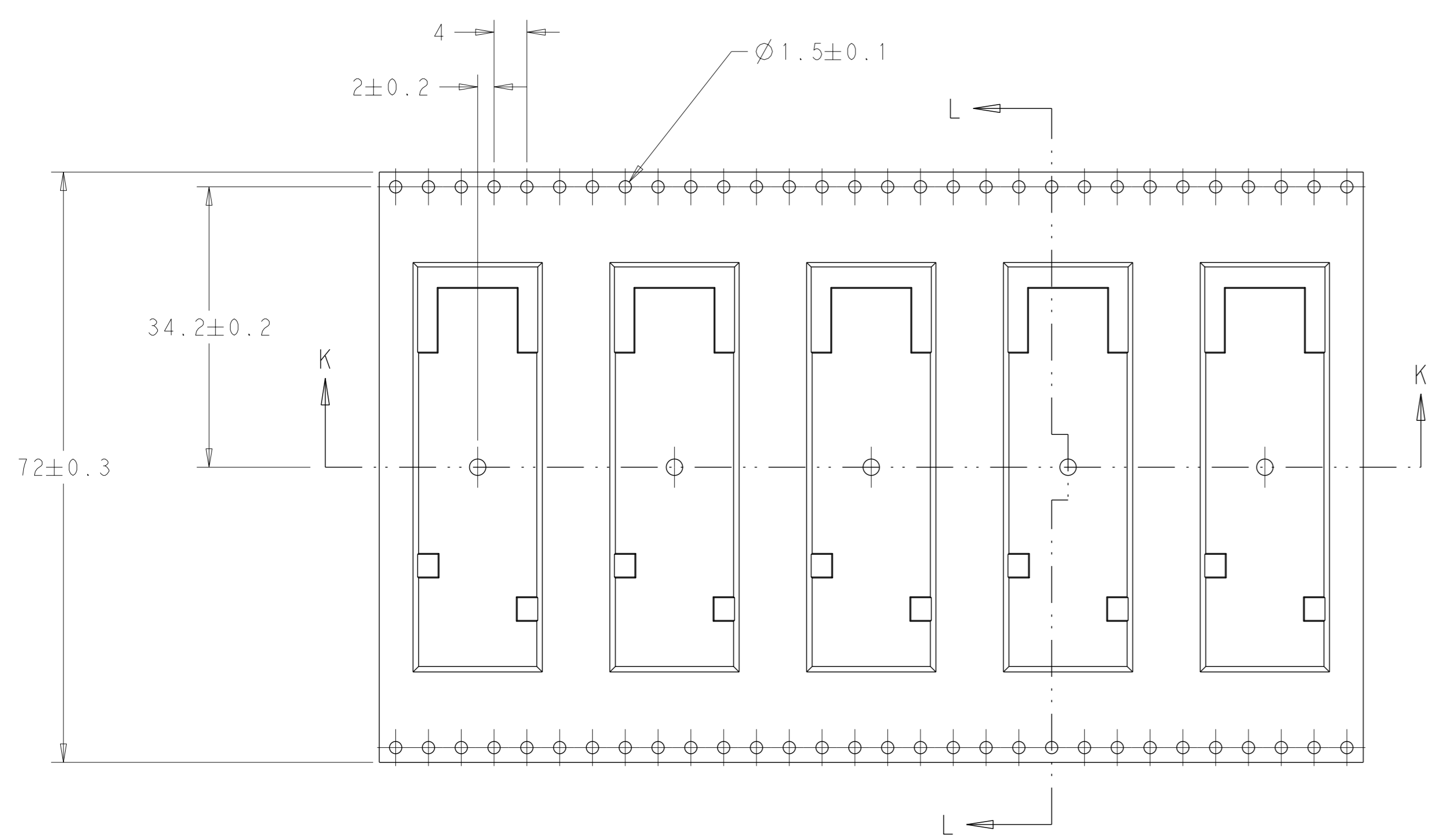
LOC	DIST	REVISIONS			
GP	00	REV	DATE	OWN	APVD
		1			
		2			



RECOMMENDED PCB LAYOUT SCALE 8:1

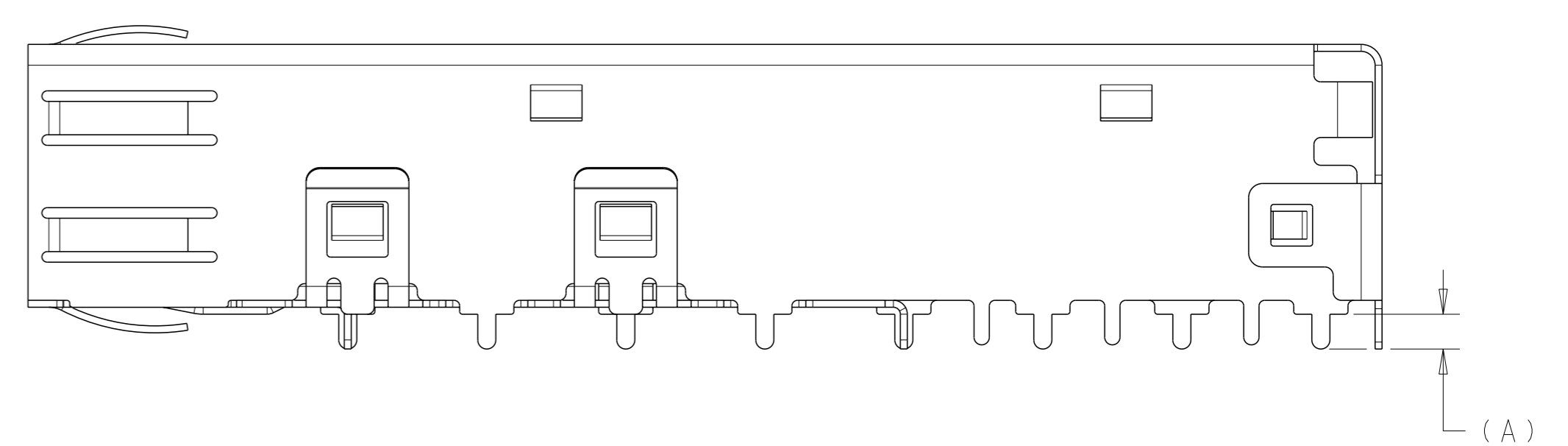
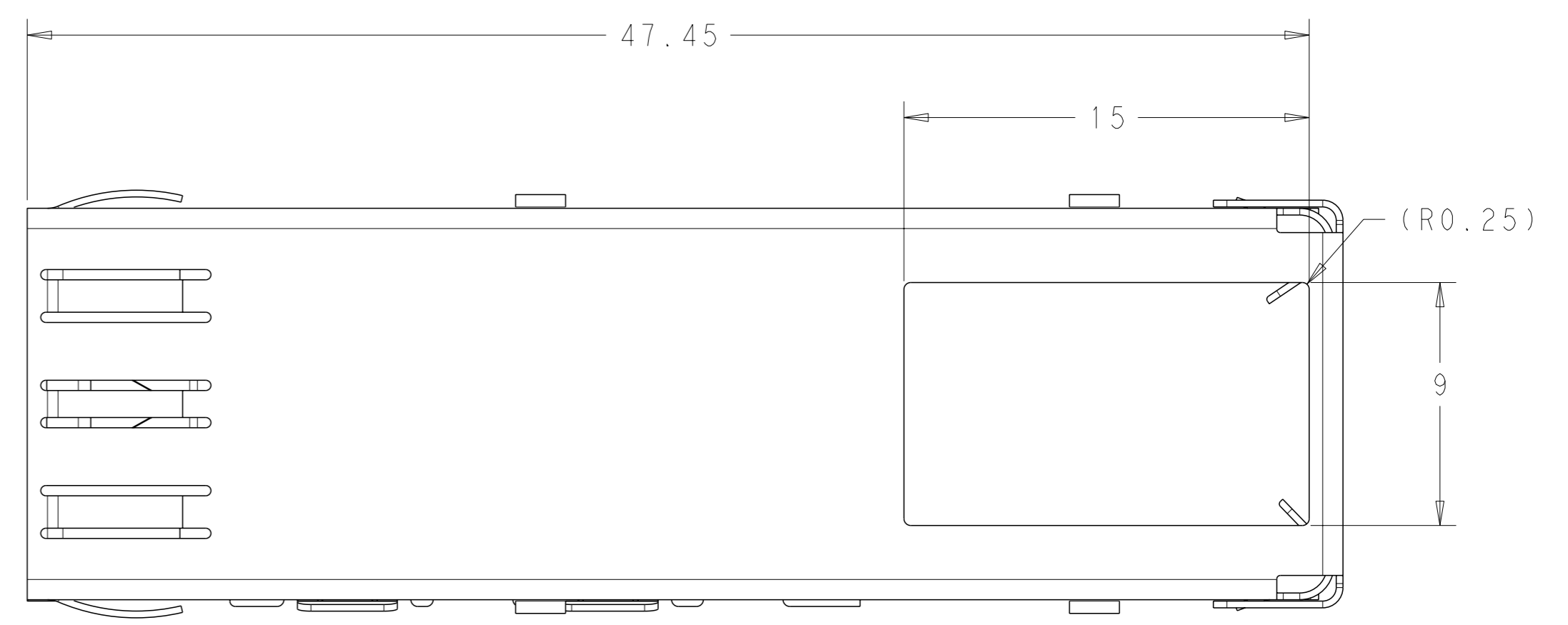
THIS DRAWING IS A CONTROLLED DOCUMENT. DIMENSIONING AND TOLERANCING PER ASME Y14.5M-2009.		OWN: C. VALENTINE 19OCT2012	 TE Connectivity
DIMENSIONS: mm		CHK: M. SCHMITT 19OCT2012	
TOLERANCES UNLESS OTHERWISE SPECIFIED:		APVD: M. SCHMITT 19OCT2012	
0 PLC ±0.1 1 PLC ±0.1 2 PLC ±0.1 3 PLC ±0.1 4 PLC ±0.1 ANGLES ±°		NAME: SFP, 1X1 SINGLE PIECE CAGE, SOLDER PIN	
MATERIAL: -	FINISH: -	SIZE: A1	RESTRICTED TO: -
Customer Drawing		CAGE CODE: 114-13120	DRAWING NO: 2227303
SCALE: 6:1		SHEET: 2	OF 3
		REV: C3	

LOC	DIST	REVISIONS			
P	LYR	DESCRIPTION	DATE	OWN	APVD
GP	00	SEE SHEET 1	-	-	-

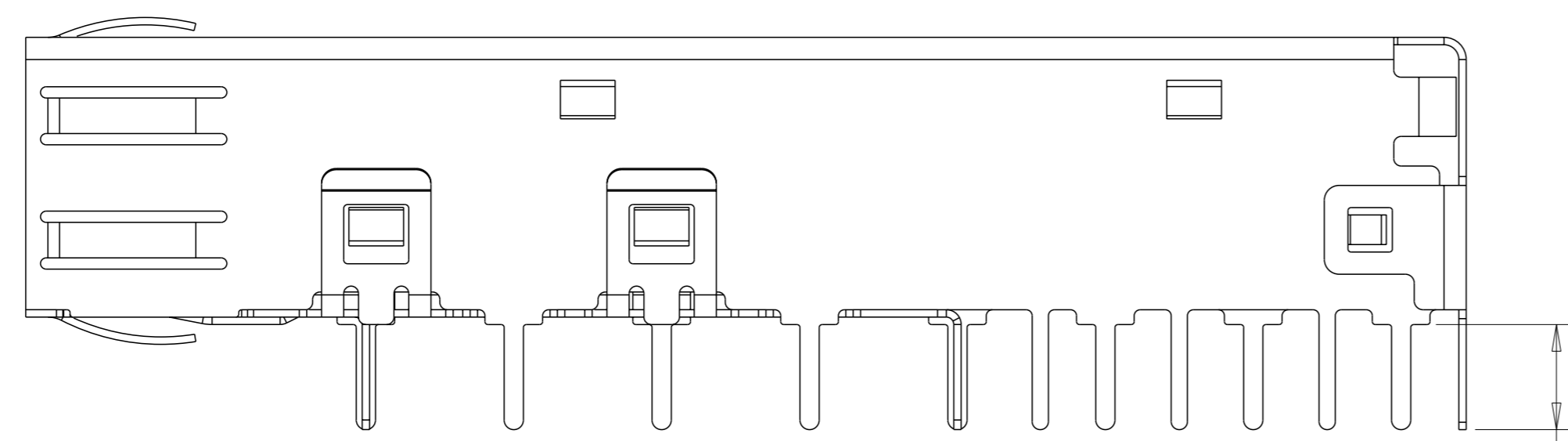
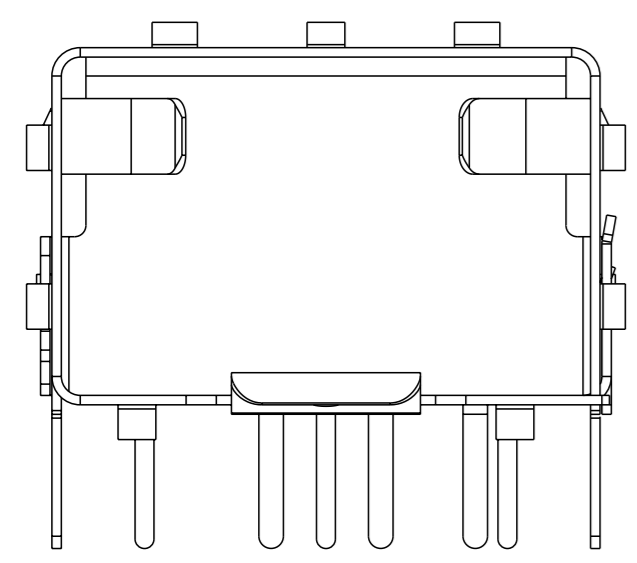


SECTION K-K
SCALE 2:1

2227303-2 / 1-222303-2 REEL PACKAGING



2-2227303-2 AS SHOWN
UNMARKED DIMENSIONS SAME AS 2227303-1
SCALE 5:1



2227303-7
UNMARKED DIMENSIONS SAME AS 2227303-1
SCALE 5:1

(A)
APPLIED ALL PINS

THIS DRAWING IS A CONTROLLED DOCUMENT. DIMENSIONING AND TOLERANCING PER ASME Y14.5M-2009		OWN: C. VALENTINE 19OCT2012	TE Connectivity
DIMENSIONS: mm		CHK: M. SCHMITT 19OCT2012	
TOLERANCES UNLESS OTHERWISE SPECIFIED:		APVD: M. SCHMITT 19OCT2012	NAME: SFP, 1X1 SINGLE PIECE CAGE, SOLDER PIN
0 PLC	± 0.1	PRODUCT SPEC	SIZE: 108-1950
1 PLC	± 0.1	APPLICATION SPEC	RESTRICTED TO: -
2 PLC	± 0.1	114-13120	SCALE: 6:1
3 PLC	± 0.1	WEIGHT: -	SHEET: 3 OF 3
4 PLC	\pm	Customer Drawing	REV: C3
ANGLES	\pm		
FINISH	-		