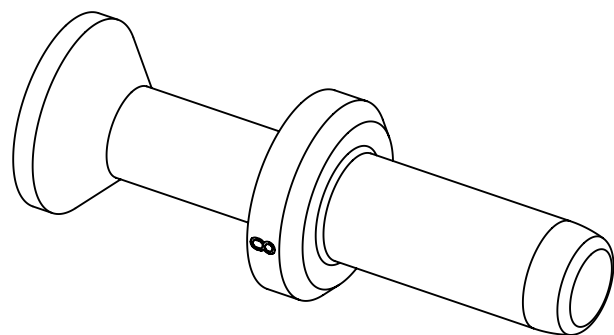


assembly notes see catalog
 crimp zone acc. to DIN EN 46235; indicator 8
 for stranded fine wire acc. to VDE 0295 class 5/IEC 60228 class 5
 wire gauge: 16mm²
 stripping length: 22mm



	All Dimensions in mm Original Size DIN A4		Scale 2:1	Free size tol.		Ref.
						Sub.
	All rights reserved		Created by HOLLERT	Inspected by SUNDERMEIER	Standardisation TIEMANNA	Date 2015-09-29
	Department EL PD - DE					State Final Release
HARTING Electric GmbH & Co. KG D-32339 Espelkamp			Title Han TC250 male contact 16mm ²			Doc-Key / ECM-Nr. 100641991/UGD/002/A 500000094850
			Type TB	Number 09 11 000 6185		Rev. A Page 1/1