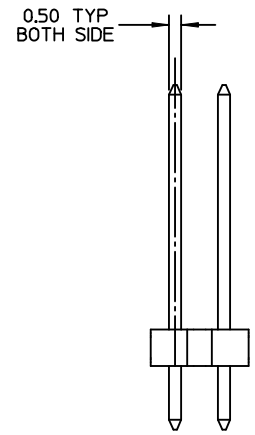
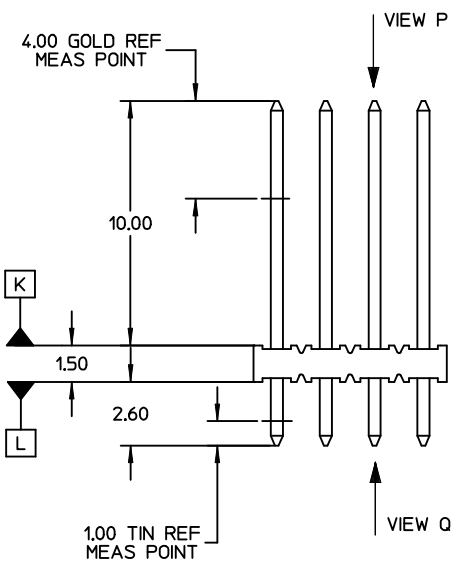
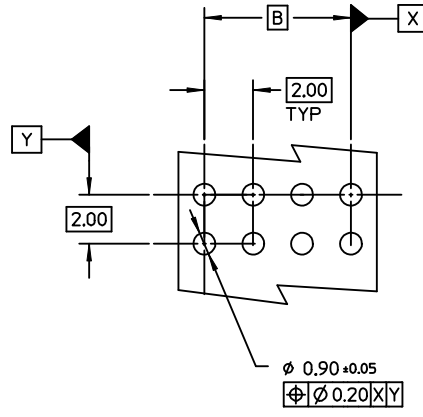
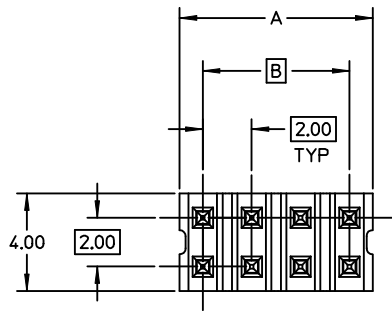


PART NUMBER	CKT SIZE	A	B
87758-0008	8	7.90	6.00



NOTES:

- MATERIAL:
HOUSING: 30% G.F. NYLON 46, 94V-0, COLOR: BLACK
PIN: 0.50mm SQ. PHOSPHOR BRONZE 510
- PLATING:
15u"/0.38um MIN GOLD IN CONTACT AREA,
75u"/1.90um MIN TIN IN SOLDER AREA, BOTH OVER
50u"/1.25um MIN NICKEL OVERALL.
- 8 CKT USED FOR ILLUSTRATION ONLY
- PACKED IN POCKET TRAY
- PIN PUSHOUT FORCE: 1KG MIN IN EITHER DIRECTION
- PRODUCT SPEC PS-87761-100 APPLIES.

$\phi 0.71 \pm 0.07$
 $\phi \phi 0.30 \text{ (M) K}$



VIEW P

$\phi 0.71 \pm 0.07$
 $\phi \phi 0.30 \text{ (M) L}$



VIEW Q

EC NO: S2004-0875 DRWN:KSEE 2004/07/13 CHKD:PTLIM 2004/07/13 APPR:SKTOH 2004/07/14	QUALITY SYMBOLS ▽ - 0 ∇ - 0	GENERAL TOLERANCES (UNLESS SPECIFIED)		SCALE NTS	DESIGN UNITS METRIC	THIRD ANGLE PROJECTION	REVISE ON CAD ONLY		
		mm	INCH	DIMENSION STYLE MM ONLY					
		4 PLACES ± --- ± ---	3 PLACES ± --- ± ---	2 PLACES ± 0.20 ± ---	1 PLACE ± --- ± ---	DRAWN BY KSEE CHECKED BY PTLIM APPROVED BY SCLW	DATE 2004/06/28 DATE 2004/07/08 DATE 2004/07/08	TITLE SALES DRAWING 2MM DUAL ROW SINGLE WAFER HDR., VERT. T/H	
		ANGULAR ± 3° DRAFT WHERE APPLICABLE MUST REMAIN WITHIN DIMENSIONS				MATERIAL NO. SEE TABLE DOCUMENT NO. SD-87758-146 SHEET NO. 1 OF 1		MOLEX INCORPORATED	