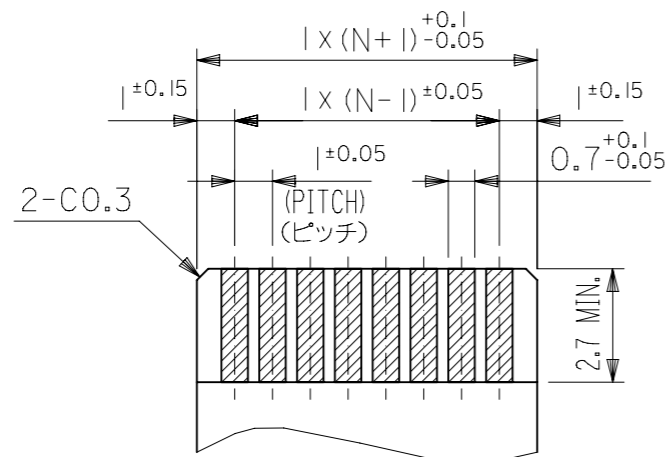
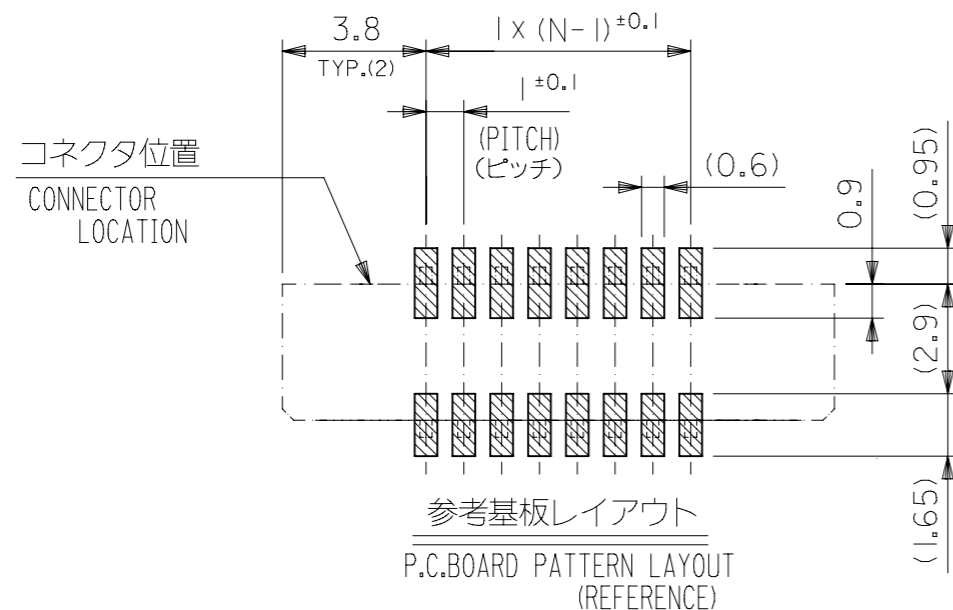


| | | | | | |
|---|-------|--------------------|--|---|--|
| THIS DRAWING CONTAINS INFORMATION THAT IS PROPRIETARY TO MOLEX ELECTRONIC TECHNOLOGIES, LLC AND SHOULD NOT BE USED WITHOUT WRITTEN PERMISSION | | CURRENT REV DESC: | | molex | |
| DIMENSION UNITS | SCALE | | | | |
| mm | NTS | | | 1.0 FPC CONN ZIF FOR SMT (ST) WITH TAPE -LEAD FREE- | |
| GENERAL TOLERANCES (UNLESS SPECIFIED) | | | | PRODUCT CUSTOMER DRAWING | |
| ANGULAR TOL ± 3.0° | | | | DOCUMENT NUMBER | |
| 4 PLACES ± | | EC NO: 745355 | | SD-52610-034 | |
| 3 PLACES ± | | DRWN: RAJMOK | | DOC TYPE | |
| 2 PLACES ± | | 2023/04/07 | | PSD | |
| 1 PLACE ± | | CHK'D: HSHIMUYAMA | | DOC PART | |
| 0 PLACES ± | | APPR: HSHIMUYAMA | | 001 | |
| DRAFT WHERE APPLICABLE MUST REMAIN WITHIN DIMENSIONS | | INITIAL REVISION: | | REVISION | |
| THIRD ANGLE PROJECTION | | DRWN: HSHIMABUKURO | | D | |
| DRAWING | | APPR: MSASAO | | SHEET NUMBER | |
| SERIES | | 2004/03/30 | | 1 OF 2 | |
| MATERIAL NUMBER | | 2004/04/01 | | | |
| CUSTOMER | | SEE SHEET-2 | | | |
| GENERAL MARKET | | | | | |

| GENERAL TOLERANCES (UNLESS SPECIFIED) | | |
|---------------------------------------|-------|--|
| 10 UNDER | ±0.2 | |
| 10 OVER 30 UNDER | ±0.25 | |
| 30 OVER | ±0.3 | |



適合FPC推奨寸法
 APPLICABLE FPC RECOMMENDED DIM.
 仕上がり厚さ(THICKNESS): 0.3 ±0.05



注記(NOTES):

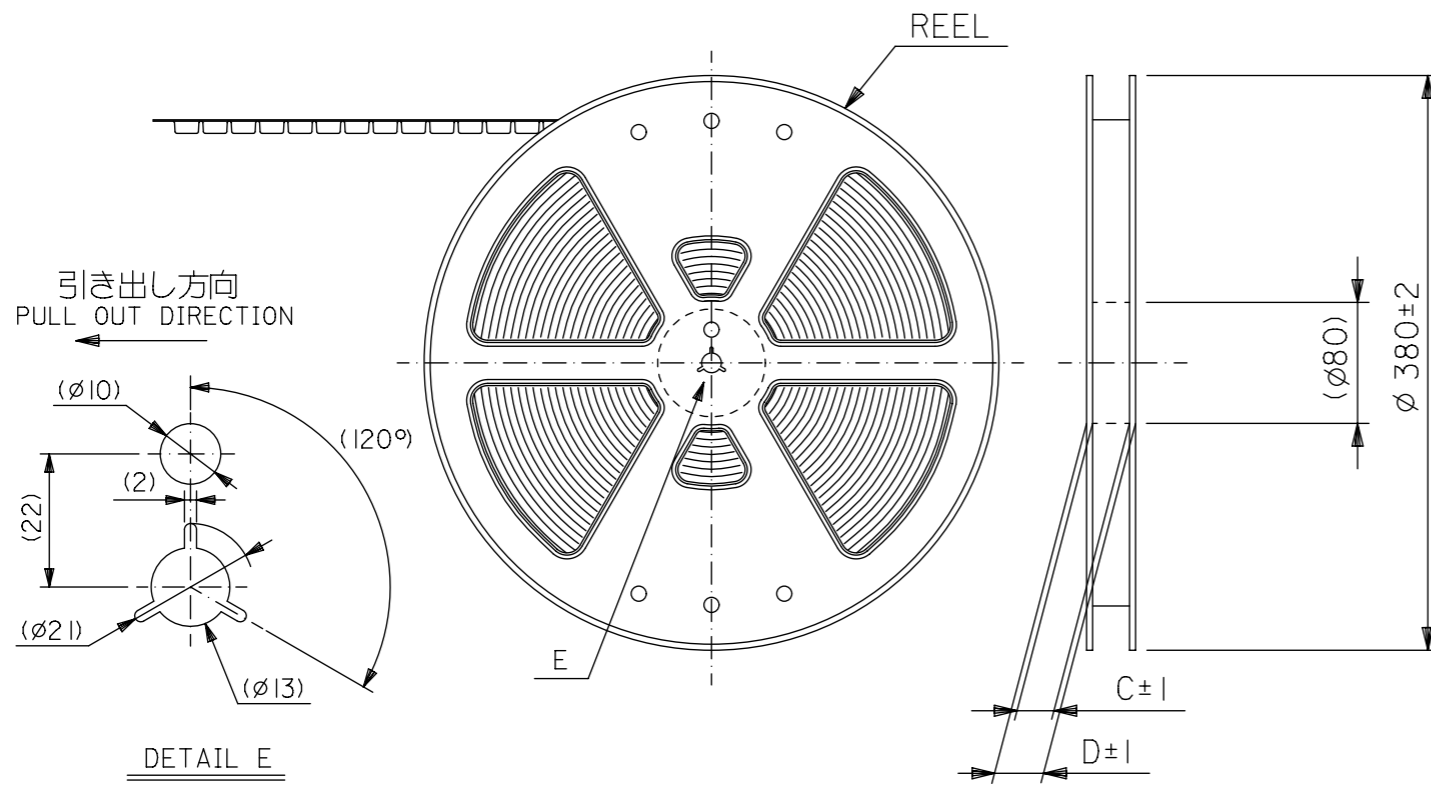
- 材料(MATERIAL)
 ハウジング(HOUSING): 46NYLON, UL94V-0
 アクチュエータ(ACTUATOR): PPS, UL94V-0
 ターミナル(TERMINAL): リン青銅、ニッケル下地、錫-ビスマスメッキ (t0.32)
 PHOS-BRO. TIN-BISMUTH OVER NICKEL PLATED (A)
- エンボステーブ梱包時は、アクチュエータがロックした状態とする。
 IN THE PACKAGE, ACTUATOR OF PART NO. 52610-**59 SHOULD BE LOCKED.
- ⊠ ソルダータール半田付け面のズレ量は、基準面 [F] に対し上方向 0.05 MAX.,
 下方向 0.15 MAX.とする。
 MISALIGNMENT OF SOLDER TAILS FROM [F] UPPER DIRECTION : 0.05 MAX.,
 LOWER DIRECTION : 0.15 MAX.
- ⊠ 偶数極に適用。
 APPLY FOR EVEN CIRCUIT.
- 本製品は 52610-**57 の鉛フリー品である。
 THIS PRODUCT IS LEAD FREE OF 52610-**57

| | | | | | |
|------|-------|------|-----|---------------|------|
| 36.6 | 34.85 | 31.2 | 29 | 52610-3075 | 30 |
| 34.6 | 32.85 | 29.2 | 27 | -2875 | 28 |
| 32.6 | 30.85 | 27.2 | 25 | -2675 | 26 |
| 31.6 | 29.85 | 26.2 | 24 | -2575 | 25 |
| 30.6 | 28.85 | 25.2 | 23 | -2475 | 24 |
| 28.6 | 26.85 | 23.2 | 21 | -2275 | 22 |
| 26.6 | 24.85 | 21.2 | 19 | -2075 | 20 |
| 25.6 | 23.85 | 20.2 | 18 | -1975 | 19 |
| 23.6 | 21.85 | 18.2 | 16 | -1775 | 17 |
| 22.6 | 20.85 | 17.2 | 15 | -1675 | 16 |
| 20.6 | 18.85 | 15.2 | 13 | -1475 | 14 |
| 18.6 | 16.85 | 13.2 | 11 | -1275 | 12 |
| 17.6 | 15.85 | 12.2 | 10 | -1175 | 11 |
| 16.6 | 14.85 | 11.2 | 9 | -1075 | 10 |
| 15.6 | 13.85 | 10.2 | 8 | -0975 | 9 |
| 14.6 | 12.85 | 9.2 | 7 | -0875 | 8 |
| 13.6 | 11.85 | 8.2 | 6 | -0775 | 7 |
| 12.6 | 10.85 | 7.2 | 5 | 52610-0675 | 6 |
| D | (C) | B | (A) | MATERIAL. NO. | CKT. |

THIS DRAWING CONTAINS INFORMATION THAT IS PROPRIETARY TO MOLEX ELECTRONIC TECHNOLOGIES, LLC AND SHOULD NOT BE USED WITHOUT WRITTEN PERMISSION

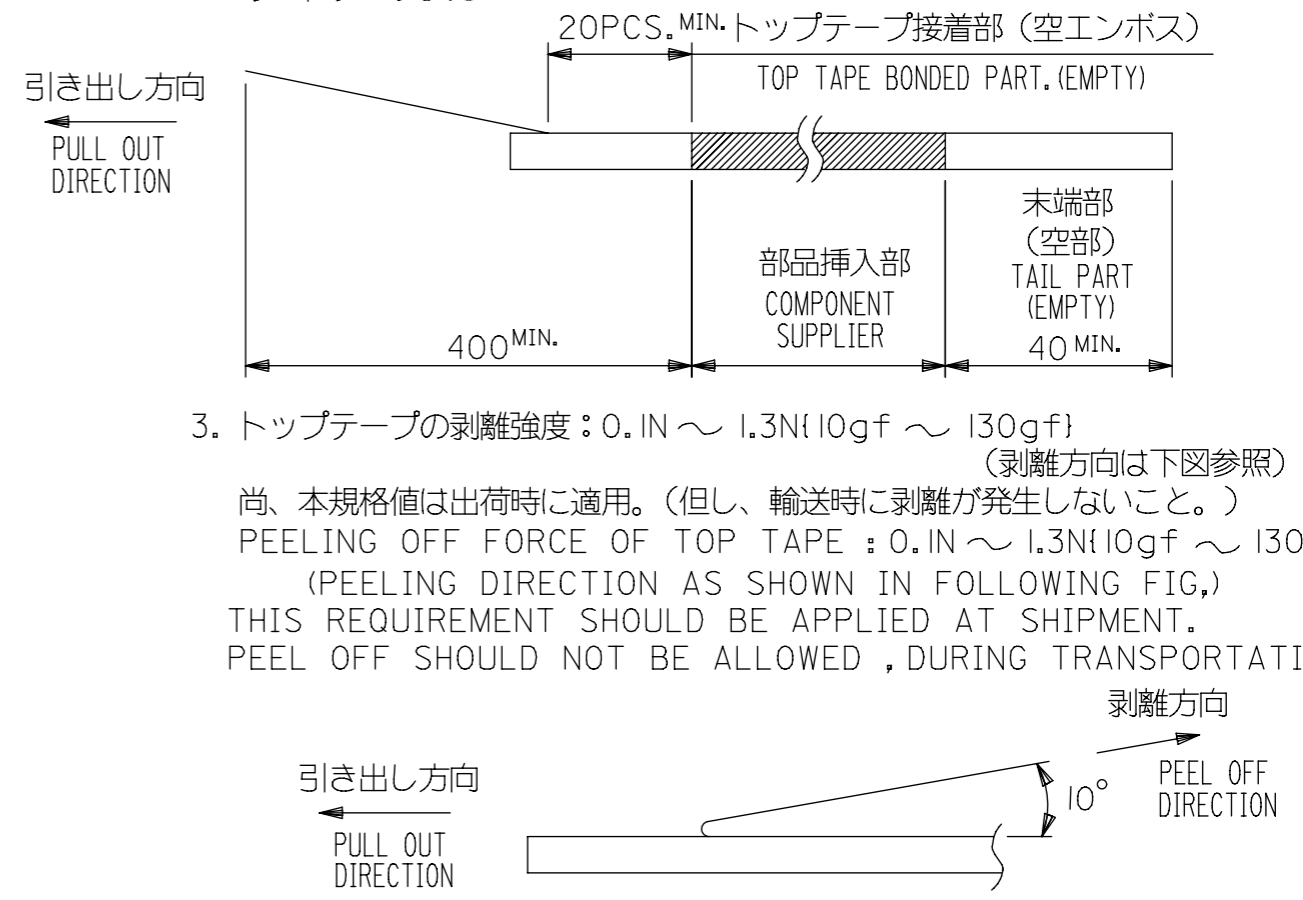
| | | | | | |
|--|-------|------------------------------|---|----------|----------|
| DIMENSION UNITS | SCALE | CURRENT REV DESC. | molex | | |
| mm | NTS | | | | |
| GENERAL TOLERANCES (UNLESS SPECIFIED) | | | 1.0 FPC CONN ZIF FOR SMT (ST) WITH TAPE -LEAD FREE- | | |
| ANGULAR TOL ± 3.0° | | | PRODUCT CUSTOMER DRAWING | | |
| 4 PLACES | ± | EC NO: 745355 | DOCUMENT NUMBER | | |
| 3 PLACES | ± | DRWN: RAJMOK 2023/04/07 | SD-52610-034 | | |
| 2 PLACES | ± | CHK'D: HSHIMOYAMA 2023/04/07 | DOC TYPE | DOC PART | REVISION |
| 1 PLACE | ± | APPR: HSHIMOYAMA 2023/04/07 | PSD | 001 | D |
| 0 PLACES | ± | INITIAL REVISION: | SHEET NUMBER | | |
| DRAFT WHERE APPLICABLE MUST REMAIN WITHIN DIMENSIONS | | | 2 OF 2 | | |
| THIRD ANGLE PROJECTION | | | MATERIAL NUMBER | | |
| DRAWING | | | CUSTOMER | | |
| SERIES | | | SEE TABLE | | |
| A3-SIZE | | | GENERAL MARKET | | |
| 52610 | | | | | |

| | |
|--|-------|
| GENERAL TOLERANCES (UNLESS SPECIFIED) | |
| 10 ^{UNDER} | ±0.2 |
| 10 ^{OVER} 30 ^{UNDER} | ±0.25 |
| 30 ^{OVER} | ±0.3 |



NOTES

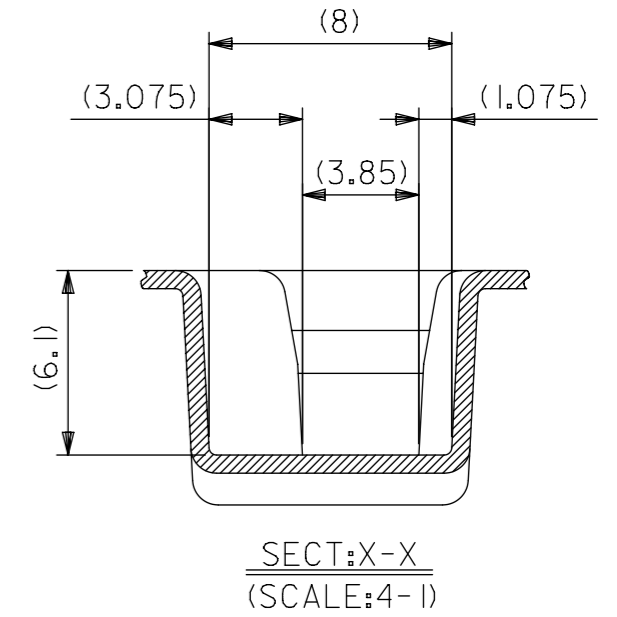
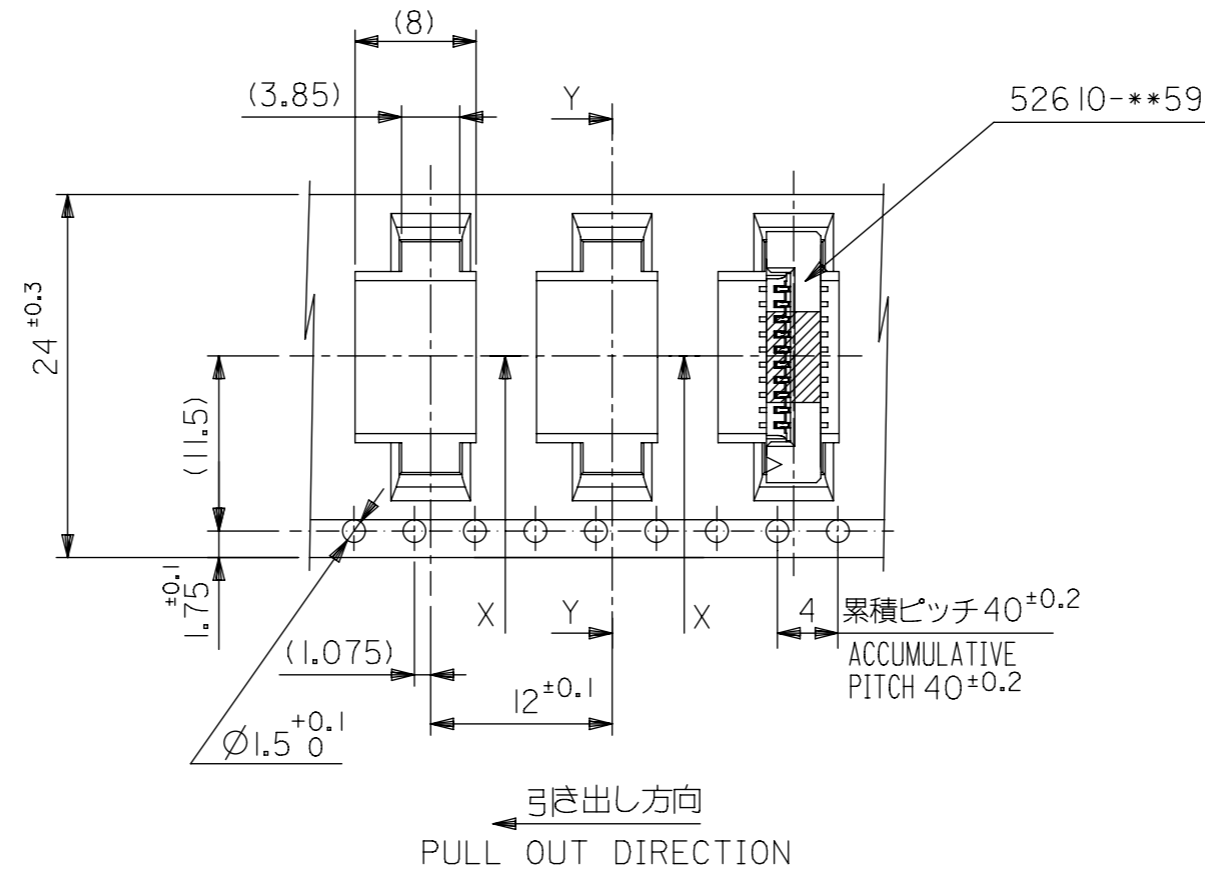
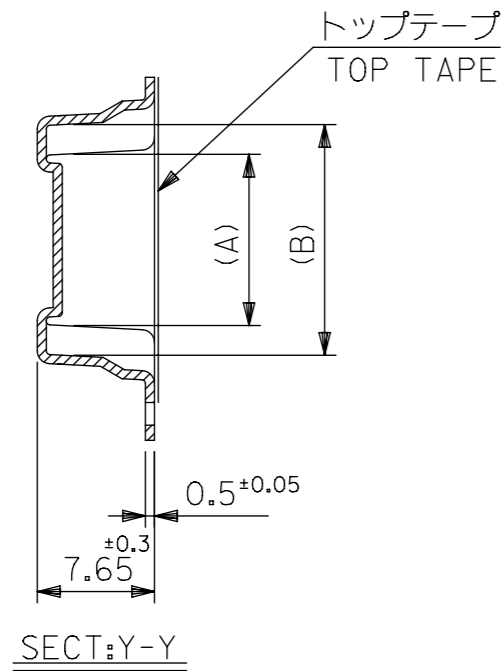
- 梱包数量：1000個/リール
NUMBER OF CONNECTORS : 1000PCS/REEL
- リードテープ長さ LEAD TAPE LENGTH
20PCS. MIN. トップテープ接着部 (空エンボス)
TOP TAPE BONDED PART. (EMPTY)
部品挿入部
COMPONENT SUPPLIER
末端部 (空部)
TAIL PART (EMPTY)
40 MIN.
- トップテープの剥離強度：0.1N ~ 1.3N (10gf ~ 130gf)
(剥離方向は下図参照)
尚、本規格値は出荷時に適用。(但し、輸送時に剥離が発生しないこと。)
PEELING OFF FORCE OF TOP TAPE : 0.1N ~ 1.3N (10gf ~ 130gf)
(PEELING DIRECTION AS SHOWN IN FOLLOWING FIG.)
THIS REQUIREMENT SHOULD BE APPLIED AT SHIPMENT.
PEEL OFF SHOULD NOT BE ALLOWED , DURING TRANSPORTATION.
- 52610-***59のアクチュエータはハウジング内に押し下げた状態とする。
詳細寸法については **製品単体図面を参照下さい。**
ACTUATOR OF PART NO. 52610-***59 SHULD BE LOCKED.
FOR DETAIL OF CONNECTOR DIMENSIONS, PLEASE SEE THE DRAWING OF ITSELF.
- 材料(MATERIAL)
キャリアテープ(CARRIER TAPE)：ポリプロピレン(POLYPROPYLENE)
トップテープ(TOPTAPE)：PET , PE , PEF
リール(REEL)：ポリスチレン (PS) <リサイクル材を含む>
POLYSTYRENE(PS) <RECYCLE MATERIAL CONTAINED>
- 本製品は 52610-***94 の鉛フリー品である。
THIS PRODUCT IS LEAD FREE OF 52610-***94
- 本製品は乾燥剤入り、ハイバリア梱包仕様である。
THIS PRODUCT IS HIGH BARRIER PACKAGE WITH DESICCANT.



52610-***75 MODEL NO.

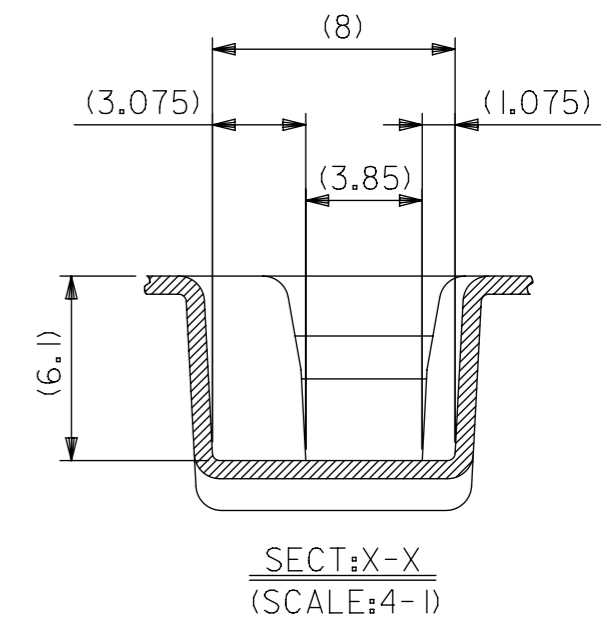
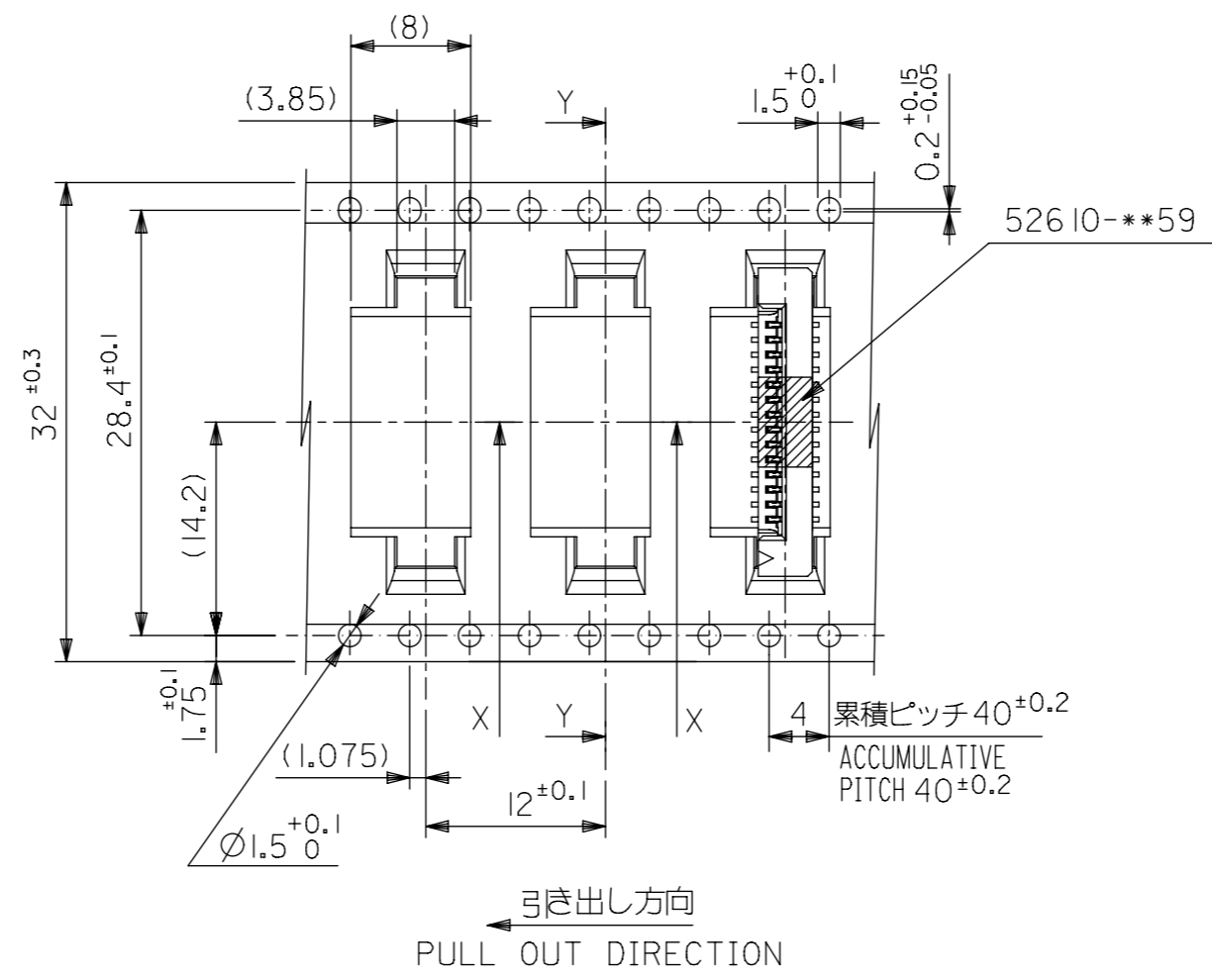
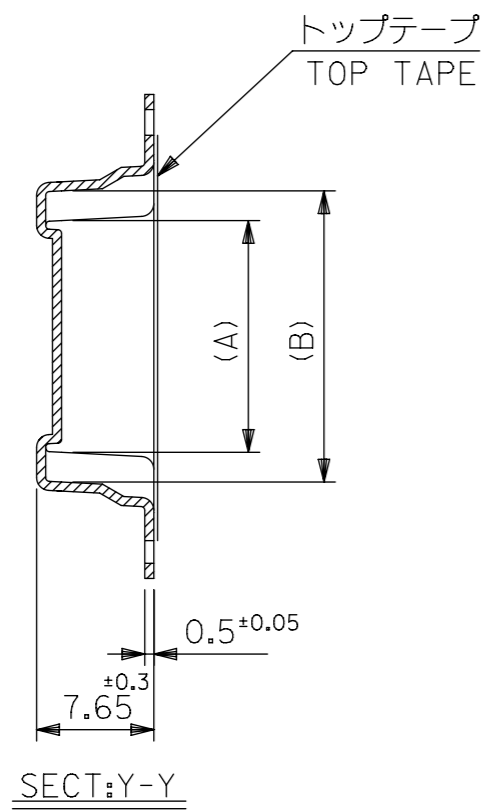
| | | | | | |
|---|-------|-------------------------------|---------|--|-----------------|
| THIS DRAWING CONTAINS INFORMATION THAT IS PROPRIETARY TO MOLEX ELECTRONIC TECHNOLOGIES, LLC AND SHOULD NOT BE USED WITHOUT WRITTEN PERMISSION | | CURRENT REV DESC: | | molex | |
| DIMENSION UNITS | SCALE | | | | |
| mm | NTS | | | 1.0 FPC CONN SMT ZIF WITH TAPE EMBSTP PKG -LEAD FREE- | |
| GENERAL TOLERANCES (UNLESS SPECIFIED) | | EC NO: 719890 | | PRODUCT CUSTOMER DRAWING | |
| ANGULAR TOL ± ° | | DRWN: NARENC 2022/08/26 | | DOCUMENT NUMBER | |
| 4 PLACES ± | | CHK'D: SMARUYAMA 2022/09/05 | | DOC TYPE | |
| 3 PLACES ± | | APPR: YNAITO 2022/09/05 | | DOC PART | |
| 2 PLACES ± | | INITIAL REVISION: | | REVISION | |
| 1 PLACE ± | | DRWN: HSHIMABUKURO 2004/03/30 | | SD-52610-035 | |
| 0 PLACES ± | | APPR: MSASAO 2004/04/01 | | PSD 001 C | |
| DRAFT WHERE APPLICABLE MUST REMAIN WITHIN DIMENSIONS | | THIRD ANGLE PROJECTION | DRAWING | SERIES | MATERIAL NUMBER |
| | | | A3-SIZE | 52610 | SEE TABLE |
| | | | | | CUSTOMER |
| | | | | | GENERAL MARKET |
| | | | | | SHEET NUMBER |
| | | | | | 1 OF 5 |

| | |
|--|-------|
| GENERAL TOLERANCES (UNLESS SPECIFIED) | |
| 10 ^{UNDER} | ±0.2 |
| 10 ^{OVER} 30 ^{UNDER} | ±0.25 |
| 30 ^{OVER} | ±0.3 |
| ANGULAR | ±3° |



| | | | | | | | |
|--------------|--------------------------------|------|-------|-------|-------------|---------------|------------|
| 24 | 29.4 | 25.4 | 15.25 | 11.32 | 526 10-1075 | 10 | |
| | | | 14.25 | 10.32 | 526 10-0975 | 9 | |
| | | | 13.25 | 9.32 | 526 10-0875 | 8 | |
| | | | 12.25 | 8.32 | 526 10-0775 | 7 | |
| | | | 11.25 | 7.32 | 526 10-0675 | 6 | |
| 526 10-***75 | キャリアテープ幅 CARRIER TAPE WIDTH | D | C | (B) | (A) | MATERIAL. NO. | 極数 CKT. |

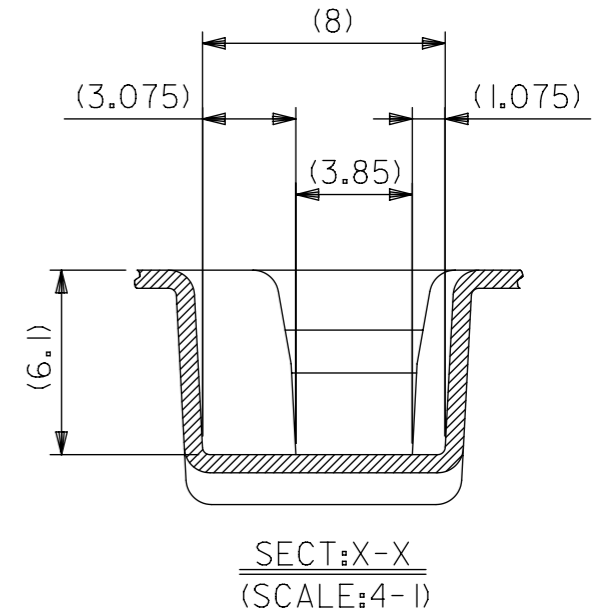
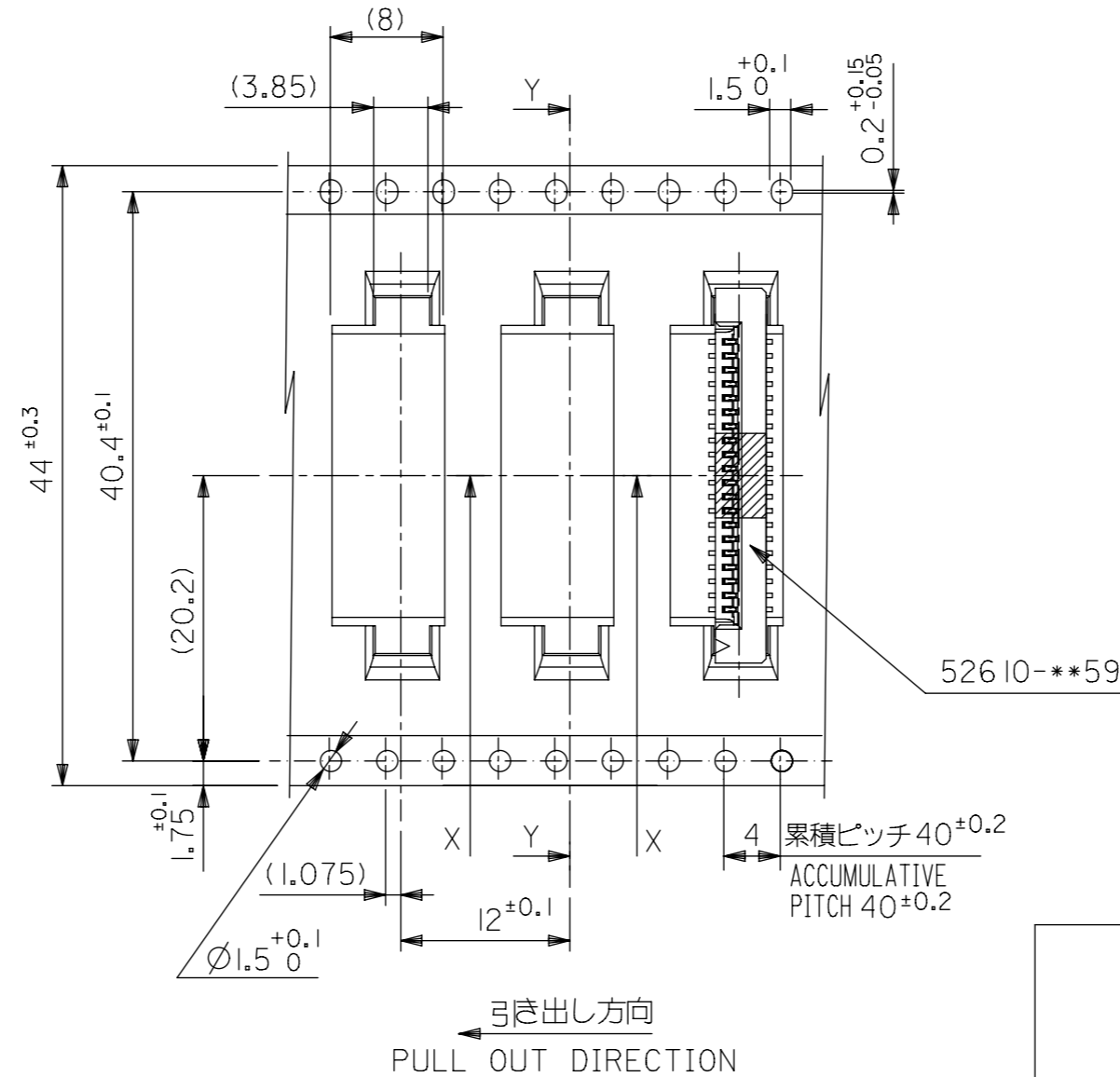
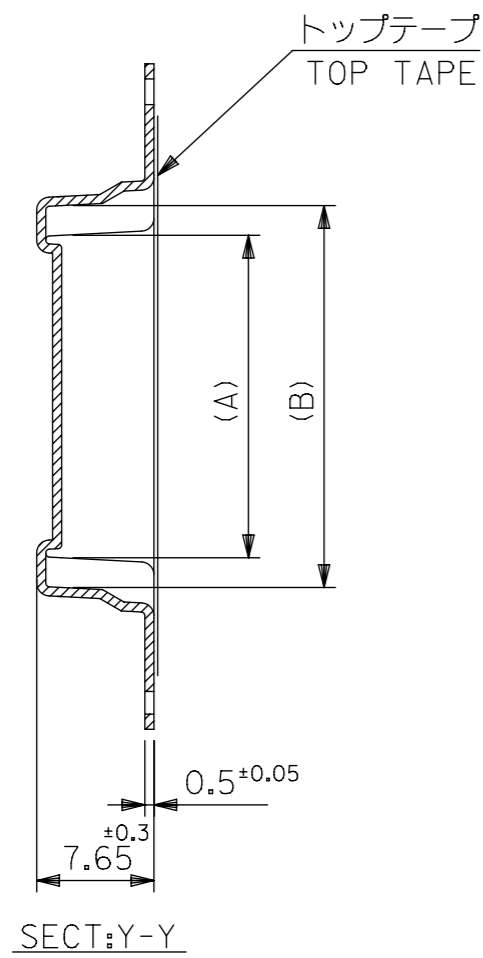
| | | | | | | | | | |
|---|--------------|---------------------------------------|---|--------------------|--|-----------------|--|--|--|
| THIS DRAWING CONTAINS INFORMATION THAT IS PROPRIETARY TO MOLEX ELECTRONIC TECHNOLOGIES, LLC AND SHOULD NOT BE USED WITHOUT WRITTEN PERMISSION | | CURRENT REV DESC: | | molex | | | | | |
| DIMENSION UNITS mm | SCALE NTS | GENERAL TOLERANCES (UNLESS SPECIFIED) | | | | | | 1.0 FPC CONN SMT ZIF WITH TAPE EMBSTP PKG -LEAD FREE- | |
| GENERAL TOLERANCES (UNLESS SPECIFIED) | | ANGULAR TOL ± ° | | EC NO: 719890 | | 2022/08/26 | | PRODUCT CUSTOMER DRAWING | |
| 10 ^{UNDER} | ±0.2 | 4 PLACES | ± | DRWN: NARENC | | 2022/09/05 | | DOCUMENT NUMBER | |
| 10 ^{OVER} 30 ^{UNDER} | ±0.25 | 3 PLACES | ± | CHK'D: SMARUYAMA | | 2022/09/05 | | DOC TYPE | |
| 30 ^{OVER} | ±0.3 | 2 PLACES | ± | APPR: YNAITO | | 2022/09/05 | | DOC PART | |
| ANGULAR | ±3 ° | 1 PLACE | ± | INITIAL REVISION: | | 2004/03/30 | | REVISION | |
| DRAFT WHERE APPLICABLE MUST REMAIN WITHIN DIMENSIONS | | 0 PLACES | ± | DRWN: HSHIMABUKURO | | 2004/04/01 | | SD-52610-035 | |
| THIRD ANGLE PROJECTION | | DRAWING | | SERIES | | MATERIAL NUMBER | | CUSTOMER | |
| A3-SIZE | | 52610 | | SEE TABLE | | GENERAL MARKET | | SHEET NUMBER | |
| | | | | | | | | 2 OF 5 | |



| | | | | | | | | |
|---------------------------|--------------------------------|------|------|-------|-------|-------------|---------------|------------|
| 526 10-**-75 MODEL NO. | 32 | 37.4 | 33.4 | 19.25 | 15.32 | 526 10-1475 | 14 | |
| | | | | 17.25 | 13.32 | 526 10-1275 | 12 | |
| | | | | 16.25 | 12.32 | 526 10-1175 | 11 | |
| | キャリアテープ幅 CARRIER TAPE WIDTH | | D | C | (B) | (A) | MATERIAL. NO. | 極数 CKT. |

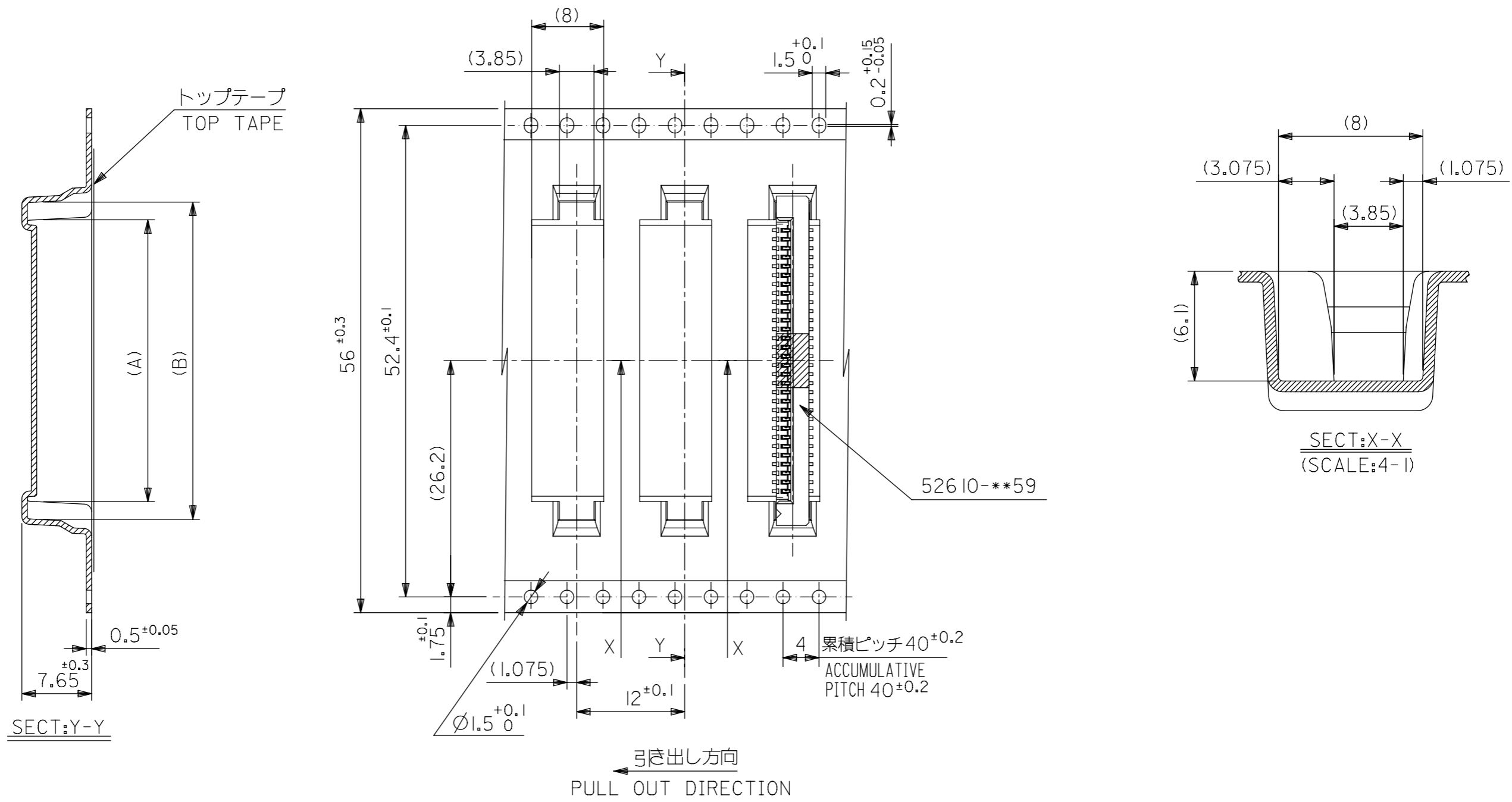
THIS DRAWING CONTAINS INFORMATION THAT IS PROPRIETARY TO MOLEX ELECTRONIC TECHNOLOGIES, LLC AND SHOULD NOT BE USED WITHOUT WRITTEN PERMISSION

| | | | | | | | |
|--|--|-------|--|---|--|----------------|--|
| DIMENSION UNITS | | SCALE | | CURRENT REV DESC: | | | |
| mm | | NTS | | | | | |
| GENERAL TOLERANCES (UNLESS SPECIFIED) | | | | <p>molex</p> <p>1.0 FPC CONN SMT ZIF WITH TAPE EMBSTP PKG -LEAD FREE-</p> <p>PRODUCT CUSTOMER DRAWING</p> <p>DOCUMENT NUMBER: SD-52610-035 DOC TYPE: PSD DOC PART: 001 REVISION: C</p> | | | |
| ANGULAR TOL ± ° | | | | | | | |
| 4 PLACES ± | | | | | | | |
| 3 PLACES ± | | | | | | | |
| 2 PLACES ± | | | | | | | |
| 1 PLACE ± | | | | | | | |
| 0 PLACES ± | | | | <p>EC NO: 719890 DRWN: NARENC CHK'D: SMARUYAMA APPR: YNAITO</p> <p>INITIAL REVISION: DRWN: HSHIMABUKURO APPR: MSASAO</p> <p>2022/08/26 2022/09/05 2022/09/05</p> | | | |
| 10 ^{UNDER} | | ±0.2 | | DRAWING | | SERIES | |
| 10 ^{OVER} 30 ^{UNDER} | | ±0.25 | | A3-SIZE | | 52610 | |
| 30 ^{OVER} | | ±0.3 | | MATERIAL NUMBER | | CUSTOMER | |
| ANGULAR | | ±3 ° | | SEE TABLE | | GENERAL MARKET | |
| DRAFT WHERE APPLICABLE MUST REMAIN WITHIN DIMENSIONS | | | | THIRD ANGLE PROJECTION | | SHEET NUMBER | |
| | | | | | | 3 OF 5 | |



| | | | | | | | |
|-------------|--------------------------------|------|--------------|--------------|-------------------|---------------|------------|
| 44 | 49.4 | 45.4 | 31.25 | 27.32 | 52610-2675 | 26 | |
| | | | 30.25 | 26.32 | 52610-2575 | 25 | |
| | | | 29.25 | 25.32 | 52610-2475 | 24 | |
| | | | 27.25 | 23.32 | 52610-2275 | 22 | |
| | | | 25.25 | 21.32 | 52610-2075 | 20 | |
| | | | 24.25 | 20.32 | 52610-1975 | 19 | |
| | | | 22.25 | 18.32 | 52610-1775 | 17 | |
| | | | 21.25 | 17.32 | 52610-1675 | 16 | |
| 52610-**-75 | キャリアテープ幅 CARRIER TAPE WIDTH | D | C | (B) | (A) | MATERIAL. NO. | 極数 CKT. |

| | | | | | | | | | | | | | |
|--|--|--|--|------------------|--|--|--|----------------------------|--|--------------------------|--|----------------------|--|
| GENERAL TOLERANCES (UNLESS SPECIFIED) 10 ^{UNDER} ±0.2 10 ^{OVER} 30 ^{UNDER} ±0.25 30 ^{OVER} ±0.3 ANGULAR ±3° | | THIS DRAWING CONTAINS INFORMATION THAT IS PROPRIETARY TO MOLEX ELECTRONIC TECHNOLOGIES, LLC AND SHOULD NOT BE USED WITHOUT WRITTEN PERMISSION. DIMENSION UNITS: mm SCALE: NTS CURRENT REV DESC: EC NO: 719890 DRWN: NARENC 2022/08/26 CHK'D: SMARUYAMA 2022/09/05 APPR: YNAITO 2022/09/05 INITIAL REVISION: DRWN: HSHIMABUKURO 2004/03/30 APPR: MSASAO 2004/04/01 | | | | 1.0 FPC CONN SMT ZIF WITH TAPE EMBSTP PKG -LEAD FREE- PRODUCT CUSTOMER DRAWING | | | | | | | |
| DRAFT WHERE APPLICABLE MUST REMAIN WITHIN DIMENSIONS | | THIRD ANGLE PROJECTION | | DRAWING: A3-SIZE | | SERIES: 52610 | | MATERIAL NUMBER: SEE TABLE | | CUSTOMER: GENERAL MARKET | | SHEET NUMBER: 4 OF 5 | |



| | | | | | | | |
|--------------------------|--------------------------------|------|------|-------|-------|--------------|------------|
| 52610-***75 MODEL.NO. | 56 | 61.4 | 57.4 | 35.25 | 31.32 | 52610-3075 | 30 |
| | | | | 33.25 | 29.32 | 52610-2875 | 28 |
| | キャリアテープ幅 CARRIER TAPE WIDTH | | | D | C | (B) | (A) |
| | | | | | | MATERIAL.NO. | 極数 CKT. |

| | | | | | | | |
|---|-------|--|---------|--------------------------|--------------|----------------|----------|
| THIS DRAWING CONTAINS INFORMATION THAT IS PROPRIETARY TO MOLEX ELECTRONIC TECHNOLOGIES, LLC AND SHOULD NOT BE USED WITHOUT WRITTEN PERMISSION | | CURRENT REV DESC: | | molex | | | |
| DIMENSION UNITS | SCALE | EC NO: 719890 | | | | | |
| mm | NTS | DRWN: NARENC 2022/08/26 | | PRODUCT CUSTOMER DRAWING | | | |
| GENERAL TOLERANCES (UNLESS SPECIFIED) | | CHK'D: SMARUYAMA 2022/09/05 | | DOCUMENT NUMBER | | | |
| ANGULAR TOL ± ° | | APPR: YNAITO 2022/09/05 | | SD-52610-035 | | DOC TYPE | DOC PART |
| 4 PLACES ± | | INITIAL REVISION: | | PSD | | 001 | REVISION |
| 3 PLACES ± | | DRWN: HSHIMABUKURO 2004/03/30 | | C | | | |
| 2 PLACES ± | | APPR: MSASAO 2004/04/01 | | MATERIAL NUMBER | | CUSTOMER | |
| 1 PLACE ± | | DRAFT WHERE APPLICABLE MUST REMAIN WITHIN DIMENSIONS | | SEE TABLE | | GENERAL MARKET | |
| 0 PLACES ± | | THIRD ANGLE PROJECTION | DRAWING | SERIES | SHEET NUMBER | | |
| | | | A3-SIZE | 52610 | 5 OF 5 | | |