

6

5

4

3

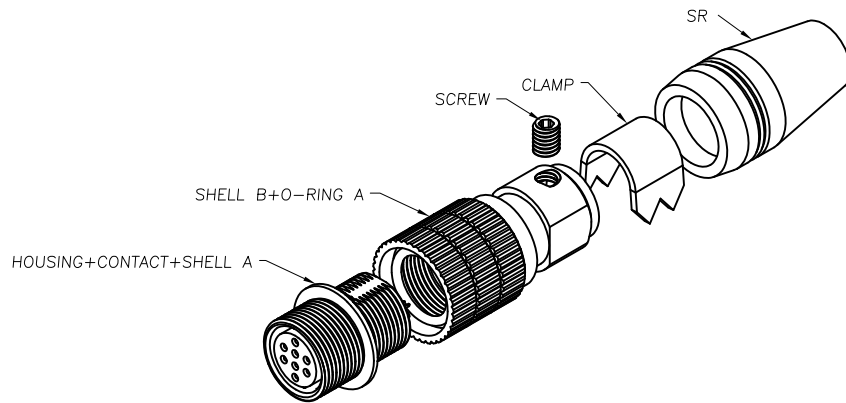
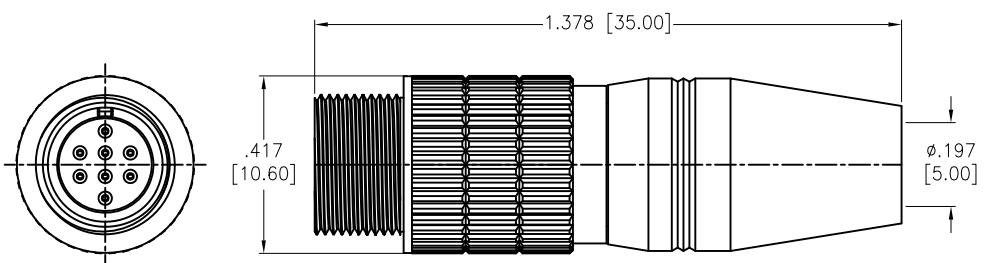
2

1

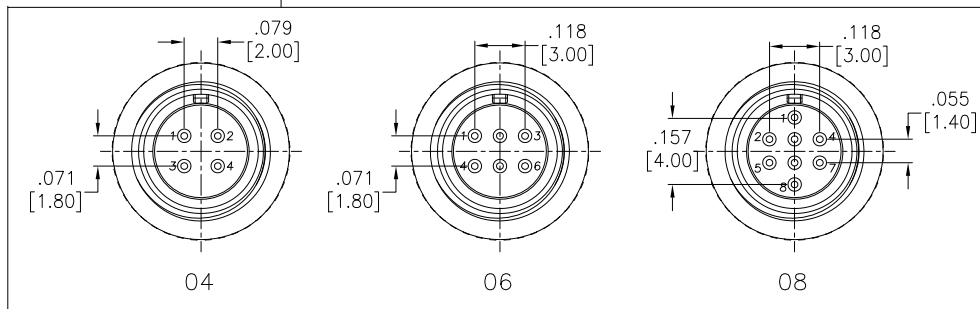
APPROVED: _____

DATE: _____ TITLE: _____

Rev	AWO #	Description	Date	Appr
-		RELEASED	11/23/18	



SD-PNLXX-FFTAL-S00-000



SPECIFICATIONS:

- Material:
- Housing: Nylon 46, rated UL 94V-0, Color: Black
- Contacts: Phosphor Bronze, 5u" min. Gold
- Shell A: Zinc Alloy, Nickel plated
- Shell B: Brass, Nickel plated
- O-ring A: NBR, Color: Black
- Screw: Alloy Steel, Nickel plated
- Clamp: Brass
- SR: TPR
- Environmental:
- Lead free, RoHS compliant



UNLESS OTHERWISE SPECIFIED ALL DIMENSIONS ARE INCHES [MM] TOLERANCES: EXCEPT AS NOTED		ADAM TECH 909 Rahway Avenue, Union, NJ 07083 Phone: 908-687-5000 Fax: 908-687-5710	
INCHES		INTERCONNECTS	
.X ± .10	∅X ± .10	TITLE: WATERPROOF CONNECTOR, FEMALE M8 DIN, ASSEMBLY, SCREW TYPE, SOLDER	
.XX ± .020	∅XX ± .015		
.XXX ± .015	∅XXX ± .010	SIZE: X	PART NO.: SD-PNLXX-FFTAL-S00-000
APPROVALS		REF: S00200T	SCALE: NTS
DRAWN	HR	DATE: 11/23/18	
CHECKED	AC	DATE: 11/23/18	
APPROVED		SHEET 1 OF 1	

6

5

4

3

2

1