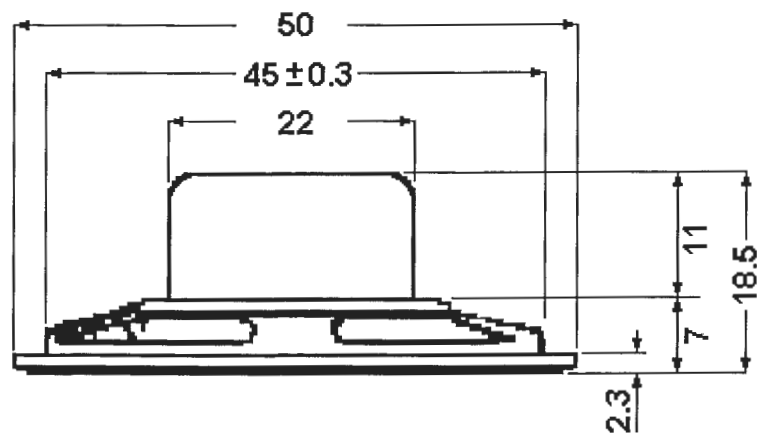
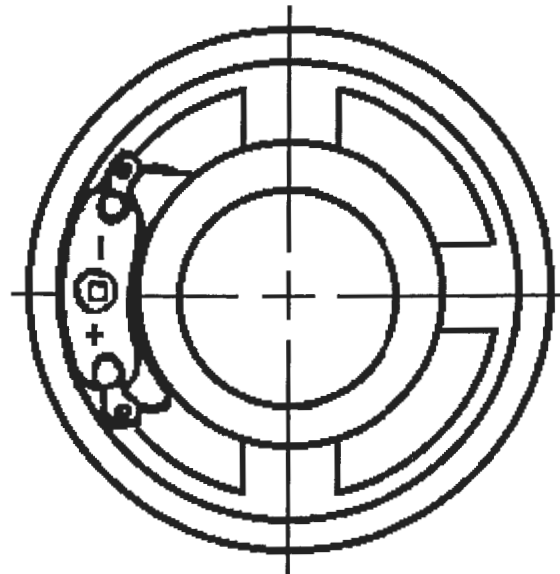


INTERVOX Speakers from International ©

Code: G82

ICC Part No.	S200RA	
1. Dimension	Outer Diameter: $\phi 50$ mm	Baffle Opening: 44 mm
	Height: 18.5 ± 0.5 mm	Weight: 31 grams
2. Magnet	Material: Rare Earth Size: $\phi 12.5 \times 2.0$ mm	Weight grams
3. Power Rating	Nominal Input Power 0.3W	Max. Input Power 0.5W
4. Voice Coil Impedance	$8 \Omega \pm 15\%$	at 1000 Hz 1 V
5. Operation	Must be normal	Program Source 0.3 W
6. Buzz & Rattles	Must be normal	Sine Wave 1.55 V
7. Resonant Frequency	$450 \pm 20\%$ Hz @ 1V	Measurement @ 0.5M, 1.0W
8. Output S.P.L.	90 ± 3 dB	Mean Value at 0.8, 1.0, 1.2, 1.5 KHz
9. Frequency Range	$F_0 \sim 5000$ Hz ± 10 dB	
10. Distortion	5% Maximum	Rated Power Input 1,000 Hz
11. Load Test	Speaker shall meet Item 5 & 6 after test	White Noise 0.3W 96 Hours
12. High Temperature Test		$+60^\circ \pm 3^\circ$ C 90% R.H. 96 Hrs.
13. Low Temperature Test		$-30^\circ \pm 3^\circ$ C 95% R.H. 96 Hrs.
14. Humidity Test		$+40^\circ \pm 3^\circ$ C 95% R.H. 96 Hrs.
15. Thermal Cycle Test	High Temp: $+60^\circ \pm 3^\circ$ C; Low Temp: $-30^\circ \pm 3^\circ$ C; Cycle: 1 Hr/each cycle; then keep 5 cycles in a room.	
16. Vibration	10~55~10Hz sine wave sweep 15min. 5G (constant) X,Y,Z 3 direction, 2 hours each, total 6 hours.	
17. Drop Test	Free drop unit from 100cm height to a board 20mm thick X,Y,Z 6 direction, 1 times each, total 6 times.	
18. Flux Density	6,000 Gauss	
19. Voice Coil Diameter	$\phi 13.28$ mm	
20. Polarity	When a positive DC current is applied to the voice coil terminal marked "+" or red, the diaphragm shall move forward.	
21. Appearance	There should not exist any obstacle to be harmful to normal operation; damages, cracks, rust and distortions, etc.	

S200RA



CODE: G82
SIZE: 2" / 50mm
UNIT: mm
SCALE 1:1
TOLERANCE: ± 0.5

INTERVOX Speakers from International ©

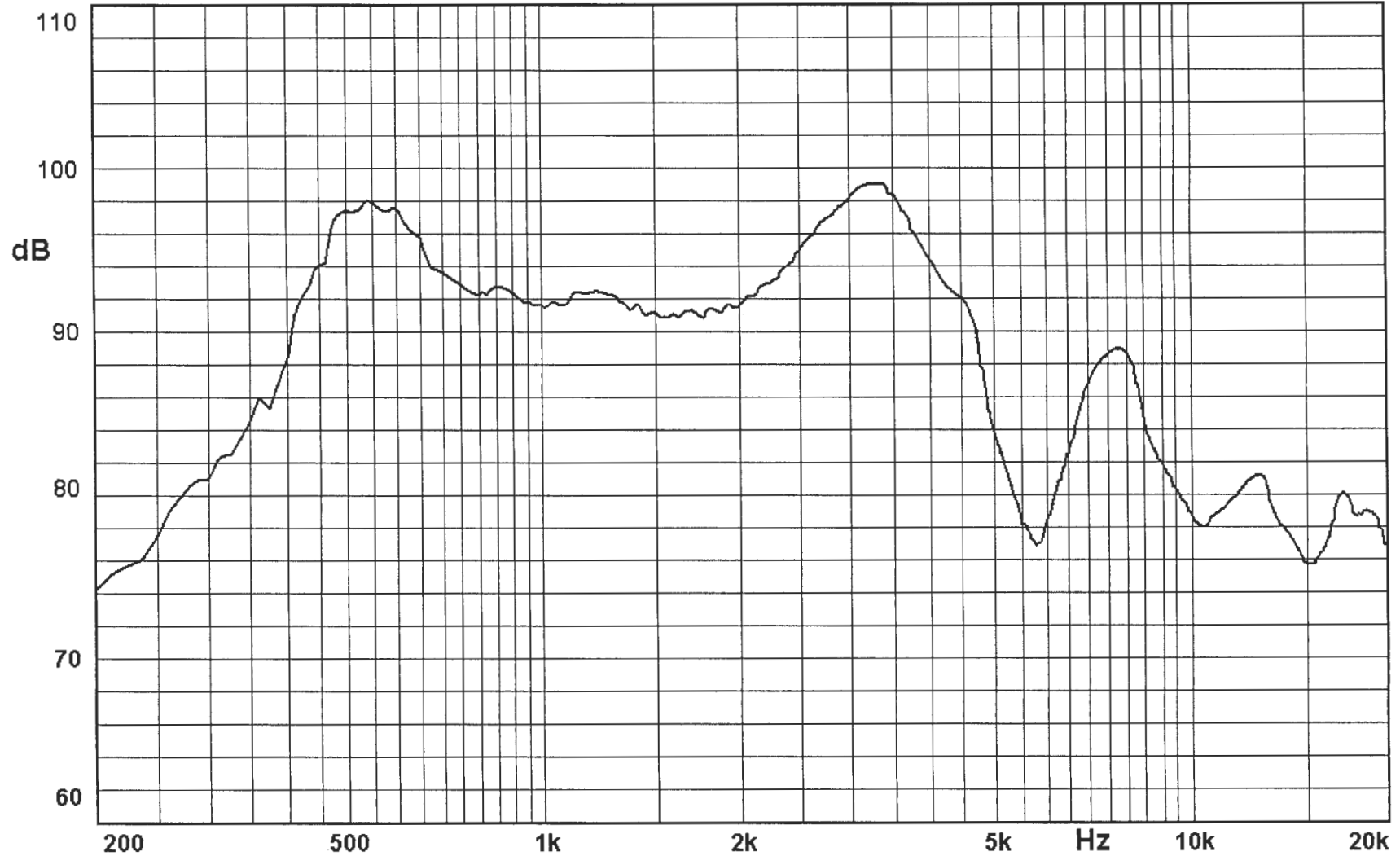
Measuring Object: S200RA

Measuring Condition: 2.83 V 1.0 W 0.5 M

Level Range: _____ dB Zero Level (Fundamental) : _____ dB X Axis Speed: _____ mm/sec

Impedance Range: _____ Ω Zero Level (Harmonic) : _____ dB Y Axis Speed: _____ mm/sec

A: Frequency Response, Magn dB re 20.00 μ pa



Mode: TSR

