

Amphenol Taiwan Corporation
Product Change Notification

Part Numbers Concerned :	G0911523012AWHR	Originator:	Debby Huang
Customer P/N:		Issue Date:	2021/10/28
Product Description:	G09 SERIES SATA II CONN. PLUG, 7-POS., R/A, DIP TYPE	PCN NO:	1210-21001280
Distribution:			

Product Change Notice

This notification is to inform customers regarding Product “G0911X13XXAWHR” to be End of Life.

1. Old version is AX1
2. The drawing is declared void in AX2 version.

Background:

1. Tooling worn out and broken cannot be produced anymore.
2. No market demand.

Product Part Number Affected:
G0911X13XXAWHR product series.

Implementation date:
31st. October. 2021

Recommended Action:
To notify all customers last buy date on 30th. November.2021 with MOQ @ 9600 pieces.

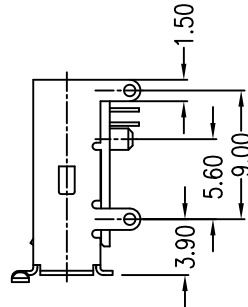
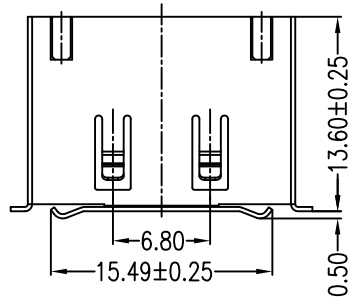


DOC#:QRF-04-041 B

This document is the property of Amphenol Corporation and is delivered on the express condition that it is not to be disclosed, reproduced or used, in whole or in part, for manufacture or sale by anyone other than Amphenol Corporation without its prior consent, and that no right is granted to disclose or to use any information in this document.
 The marking on this product doesn't contain environmental hazardous materials per Material Specification 55-00259 for Sony GP compliant or per directive 2011/65/EU for RoHS compliant.

FOR REFERENCE ONLY

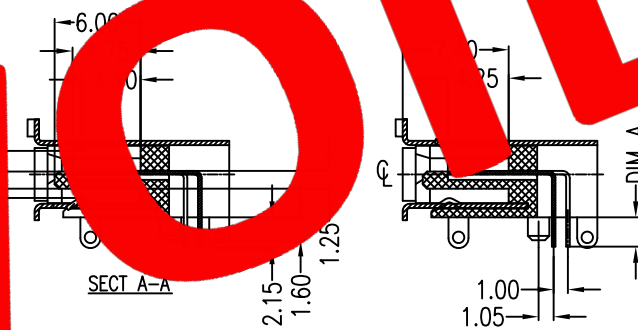
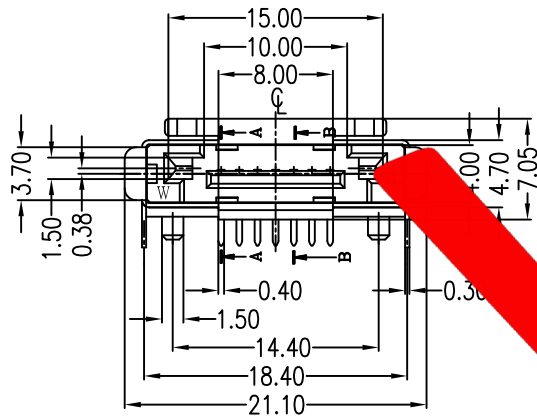
REVISIONS				
SYM	ECN No.	DESCRIPTION	DATE	APPROVED
AX1	EDSR#7029	NON-RELEASE TO PRODUCTION	01/17/2017	Arron Lin



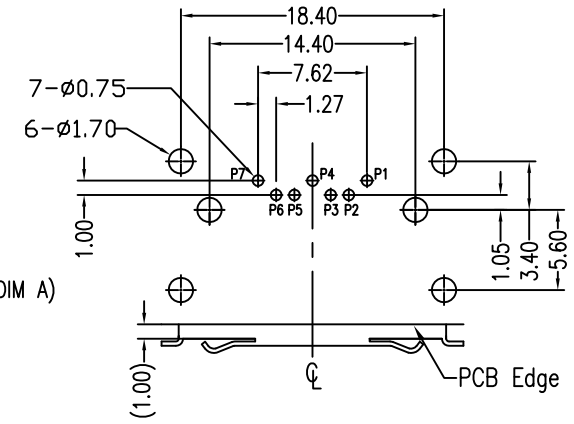
Pin Number	Signal Name
S1	GND
S2	A+
S3	A-
S4	GND
S5	B-
S6	B+
S7	GND

NOTES:

- MATERIAL:
 HOUSING: HIGH TEMPERATURE THERMAL PLASTIC, OPTION, UL94V-0,
 COLOR: OPTION
 TERMINAL: COPPER ALLOY.
 SHELL: COPPER ALLOY.
- FINISH:
 TERMINAL:
 CONTACT AREA: SELECTED GOLD PLATING;
 UNDERPLATING AREA: MATTE TIN PLATING 100 μ" THICKNESS MIN.;
 UNDERPLATING: NICKEL PLATING 50 μ" THICKNESS MIN. OVERALL.
 SHELL:
 NICKEL PLATING 50 μ" MINIMUM OVERALL
- THIS PRODUCT DOESN'T CONTAIN ENVIRONMENTAL HAZARDOUS PER DIRECTIVE 2011/65/EU FOR RoHS COMPLIANT.

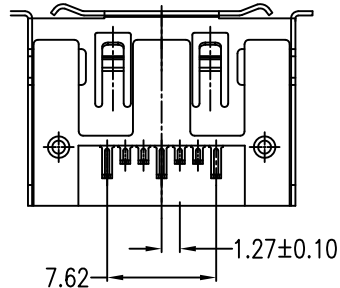


SECT B-B



P.C.B. RECOMMENDED LAYOUT (T=1.60mm)
 GENERAL TOLERANCE ±0.05

PART NO. G0911 X 23 X 1 X AWHR
 CONTACT FINISH
 0: GOLD FLASH
 4: 30 μ" GOLD
 5: 15 μ" GOLD
 HOUSING, COLOR
 0: LCP, BLACK
 TERMINAL LENGTH(DIM A)
 2: 2.05MM
 3: 3.10MM



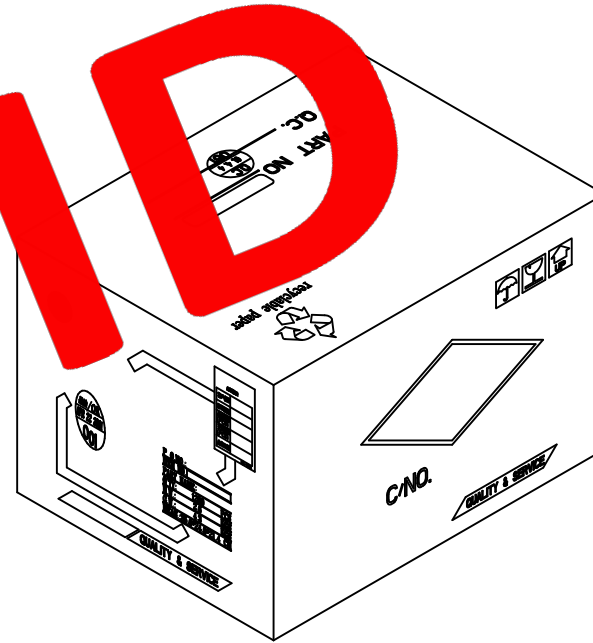
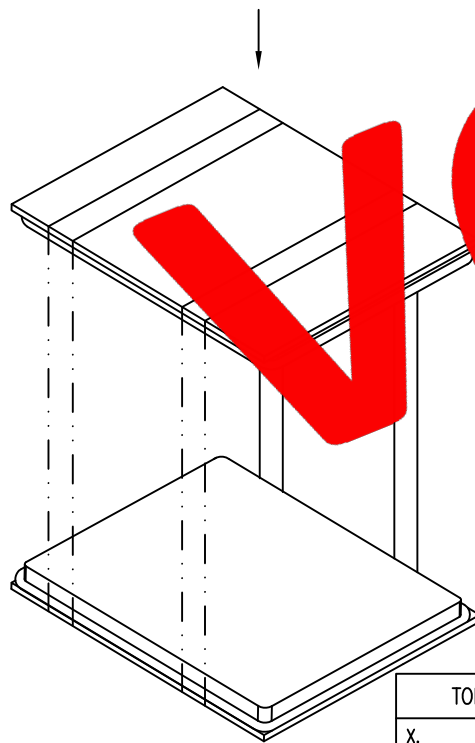
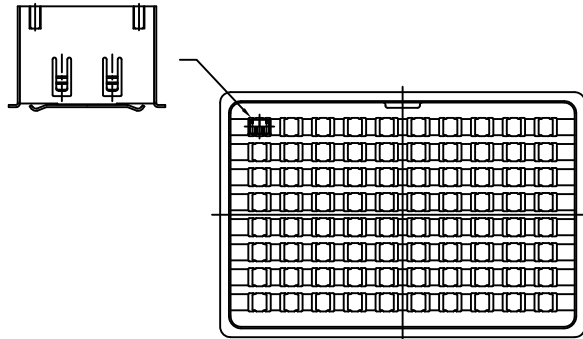
TOLERANCE	APPROVALS	DATE	TITLE	UNIT	SIZE	PART No.
X. ±0.30	DRAWN Sandy Wu	01/17/2017	G09 SERIES SATA II CONN. PLUG, 7-POS., R/A, DIP TYPE	mm	A3	G0911X23X1XAWHR
X.X ±0.20	CHECKED Roger Tsai	01/17/2017				
X.XXX ±0.10	APPROVED Arron Lin	01/17/2017		SCALE NA	SHEET 1 OF 2	Amphenol® Amphenol Corporation Amphenol Taiwan Corporation DWG No. G0911X23X1XAWHR REV. AX1
ANGULAR ±1°	DWG TYPE CUST DWG	PROJECT CODE SKT				
UNLESS OTHERWISE SPECIFIED						

This document is the property of Amphenol Corporation and is delivered on the express condition that is not to be disclosed, reproduced or used, in whole or in part, for manufacture or sale by anyone other than Amphenol Corporation without its prior consent, and that no right is granted to disclose or to use any information in this document.

The marking on this product doesn't contain environmental hazardous materials per Material Specification 5S-00259 for Sony GP compliant or per directive 2011/65/EU for RoHS compliant.

REVISIONS					
SYM	ECN No.	DESCRIPTION	DATE	APPROVED	
AX1	EDSR#7029	NON-RELEASE TO PRODUCTION	01/17/2017	Arron Lin	

FOR REFERENCE ONLY



VOID

G0911X23X1XAWHR	80	15	1200	2.6	4.3
PN	TRAY /PCS	CARTON /TRAY	CARTON /PCS	N.W(Kg)	G.W(Kg)

TOLERANCE	APPROVALS	DATE	TITLE			
X. ±0.30	DRAWN Sandy Wu	01/17/2017	G09 SERIES SATA II CONN. PLUG, 7-POS., R/A, DIP TYPE			
X.X ±0.20	CHECKED Roger Tsai	01/17/2017				
X.XXX ±0.10	APPROVED Arron Lin	01/17/2017		UNIT mm	SIZE A3	PART No. G0911X23X1XAWHR
ANGULAR ±1°	DWG TYPE CUST DWG	PROJECT CODE SKT		SCALE NA	SHEET 2 OF 2	
UNLESS OTHERWISE SPECIFIED						

Amphenol®
Amphenol Corporation
Amphenol Taiwan Corporation