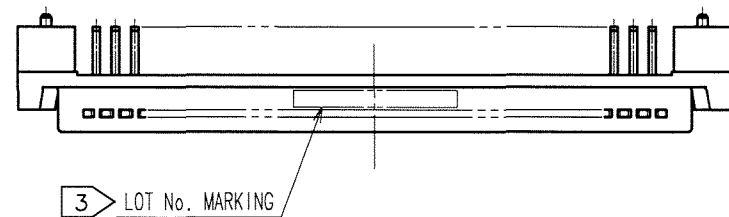
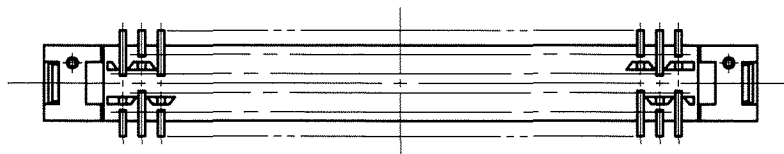
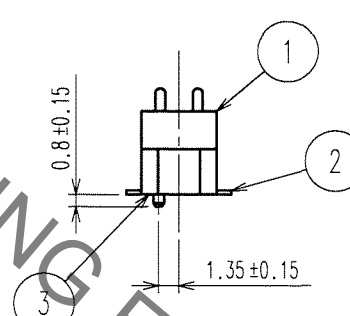
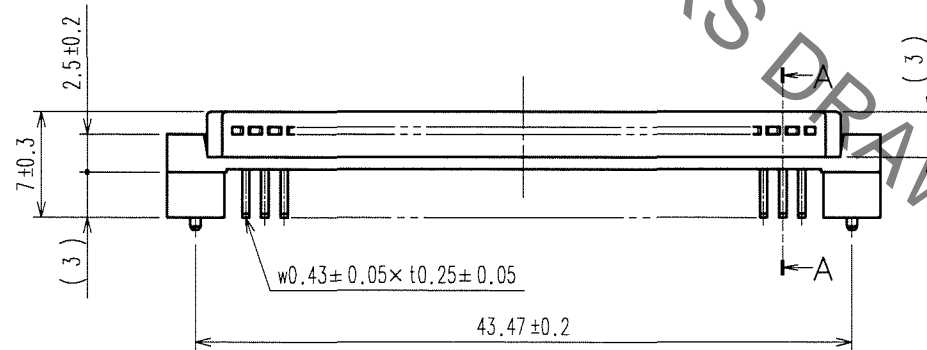
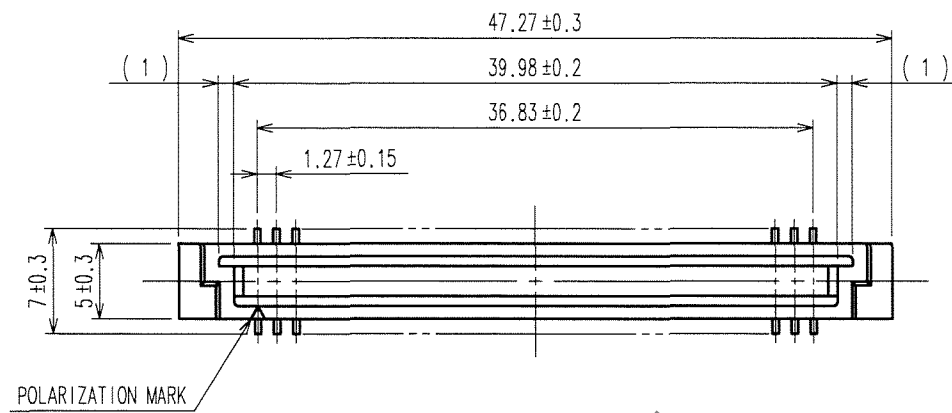
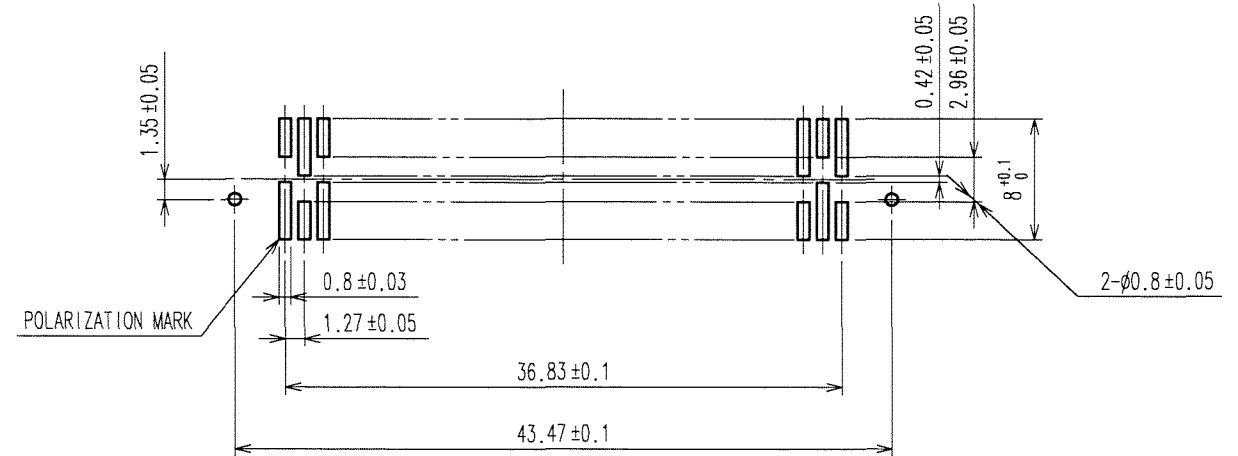


Aug.1.2019 Copyright 2019 HIROSE ELECTRIC CO., LTD. All Rights Reserved.
In case of consideration for using Automotive equipment / device which demand high reliability, kindly contact our sales window correspondents.

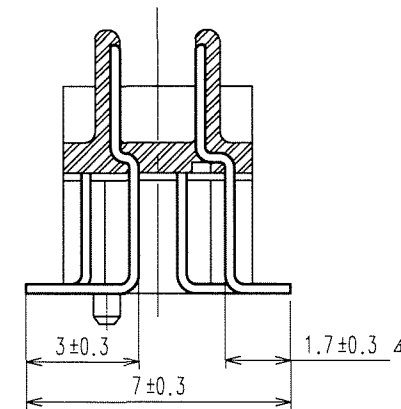
COUNT	DESCRIPTION OF REVISIONS	BY	CHKD	DATE	COUNT	DESCRIPTION OF REVISIONS	BY	CHKD	DATE
1	DIS-F-001176	K.D	H.O	06.07.20					



RECOMMENDED P.C.B. LAND PATTERN
(MOUNT SIDE)



A-A (5:1)



- NOTES 1 LEAD CO-PLANARITY SHALL BE 0.15mm MAX.
2 THE DIMENSIONS IN PARENTHESES ARE FOR REFERENCE.
3 LOT No. SHALL BE INDICATED AT OPPTIONAL POSITION.

1, 3	POLYAMIDE	BEIGE	UL94V-0	2	PHOSPHOR BRONZE	CONTACT AREA:GOLD 0.2μ m min. LEAD AREA:TIN-PLATING 1.2μ m min. UNDER PLATING:NICKEL 1μ m min.
NO.	MATERIAL	FINISH, REMARKS	NO.	MATERIAL	FINISH, REMARKS	
CODE NO. (OLD) CL		DRAWN	DESIGNED	CHECKED	APPROVED	RELEASED
		K.DOI	K.DOI	H.OZAWA	H.OKAWA	
		05-09-02	05-09-02	05-09-02	05-09-02	
SCALE 2 : 1		DRAWING NO. EDC3-084007-21		PART NO. FX4B3-60P-1.27SV(71)		
UNITS mm		HRS HIROSE ELECTRIC CO., LTD		CODE NO. CL574-0235-1-71		1/1

TO