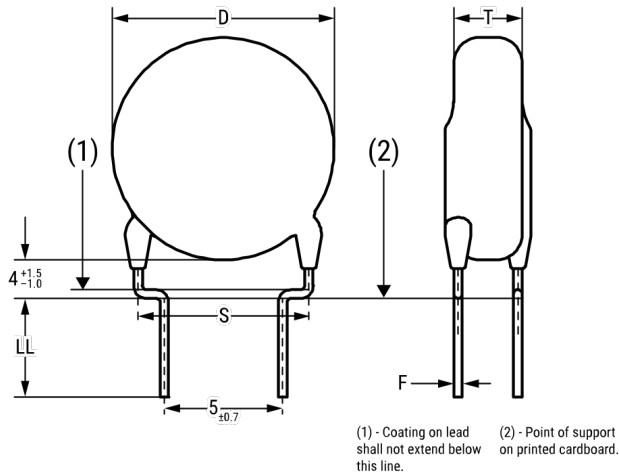


## ERK610Z330KUAR

Aliases (C811UA330K440X, ERK610RK2330KUAR)

Obsolete

ERK610 SFTY X1-440 Y2-300, Ceramic, 33 pF, 10%, 440 VAC (X1), 300 VAC (Y2), U2J, Lead Spacing = 5mm



Click [here](#) for the 3D model.

### Dimensions

|    |                 |
|----|-----------------|
| D  | 8mm MAX         |
| T  | 6mm MAX         |
| S  | 5mm +/-0.7mm    |
| H0 | 16mm +/-0.5mm   |
| F  | 0.6mm +/-0.05mm |
| V  | 1.6mm +/-0.5mm  |

### Packaging Specifications

Packaging T&R, H0 = 16mm, Component Pitch = 12.7mm

### General Information

|                |  |
|----------------|--|
| Series         | ERK610 SFTY X1-440 Y2-300  |
| Style          | Radial Disc  |
| Description    | Ceramic Single Layer Safety Disc Capacitors  |
| RoHS           | Yes  |
| Termination    | Tin  |
| Qualifications | UL, CSA, CAN, ENEC, VDE  |
| AEC-Q200       | No   |
| Notes          | Please See Bulletin For Taping Information. H0 Dimension Refers to Seating Plane To Center Hole of Tape. |

### Specifications

|                         |                            |
|-------------------------|----------------------------|
| Capacitance             | 33 pF                      |
| Capacitance Tolerance   | 10%                        |
| Voltage AC              | 440 VAC (X1), 300 VAC (Y2) |
| Temperature Range       | -40/+125°C                 |
| Temperature Coefficient | U2J                        |
| Dissipation Factor      | 5%                         |
| Insulation Resistance   | 6 GOhms                    |
| Safety Class            | X1/Y2                      |