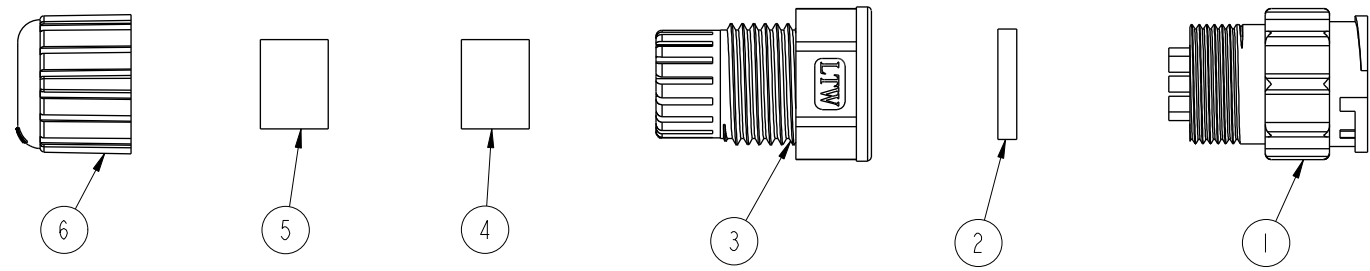


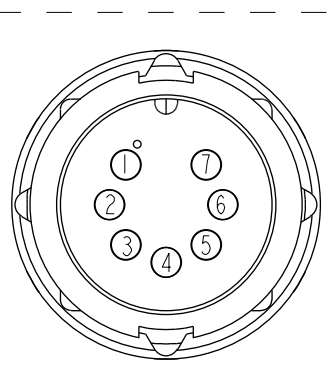
THIS DOCUMENT IS SUBJECT TO CHANGE WITHOUT NOTICE. IT IS CONFIDENTIAL AND A PROPERTY OF AMPHENOL LTW. DISCLOSURE TO THIRD PARTY HAS TO BE AUTHORIZED BY AMPHENOL LTW.

REV.	ECN NO.	DATE	SIGN	DESCRIPTION

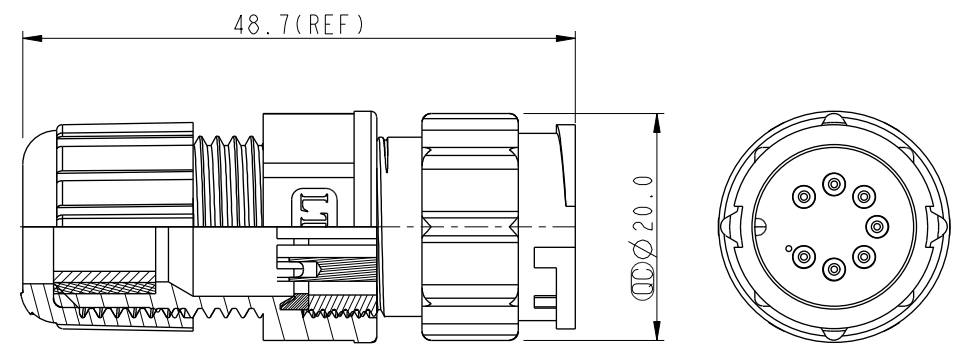
**ALTW**  
**CONFIDENTIAL**  
 2012-04-11  
 R&D DEPT.



**ALTW**  
**DCC. DEPT.**  
**CONFIDENTIAL**  
 2012-05-15  
**ISSUED**



Pin Assignments  
Front View



Note:

- \*  $\varnothing$  Important Dimension To Check.
- \* Waterproof Rate: IP67
- \* Housing: Nylon+GF, Black
- \* Pin: Copper Alloy, Gold Plated
- \* Gasket: Silicon, Black
- \* Clamp Ring: Nylon, Black
- \* Seals B1 for Cable OD:  $\varnothing 7.6\text{mm} \sim \varnothing 9.6\text{mm}$
- \* Seals B2 for Cable OD:  $\varnothing 4.0\text{mm} \sim \varnothing 7.6\text{mm}$
- \* Sealing Nut: Nylon, Black
- \* One Set Unassembled in One PE Bag

UNIT:mm		
TOLERANCE		
.X	$\pm 0.25$	
.XX	$\pm 0.1$	
.XXX	$\pm 0.05$	
ANGLES	$\pm 1^\circ$	

TITLE Middle Assembly Lock 7Pin M Conn M Pin			
SCALE 1:1	SIZE A4	SHEET 1 OF 1	
REV. A	WC-REV. A.2	$\varnothing$ : Inspection item	

**Amphenol LTW**  
 安費諾亮泰企業股份有限公司

ITEM NO. CD-07BMMA-LL7001	DRAWN BY SamChang	DATE 2012-04-11
DWG NO. CD-07BMMA-LL7001	CHECKED BY Jeffrey	DATE 2012-05-15
CUSTOMER ALTW	APPROVED BY Lion	DATE 2012-05-15